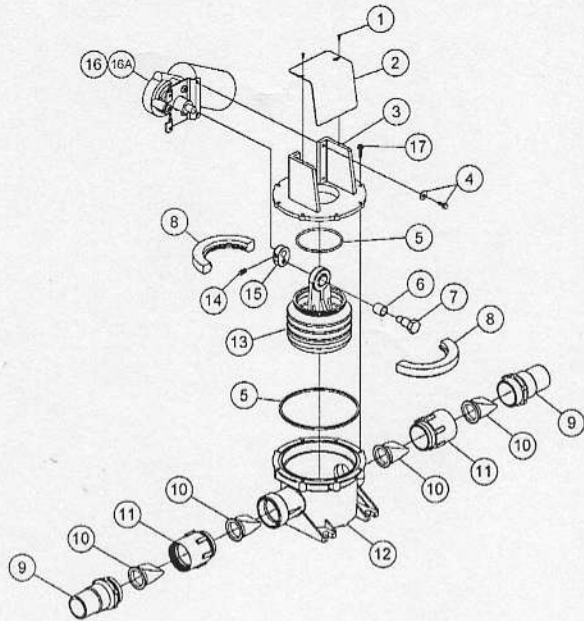


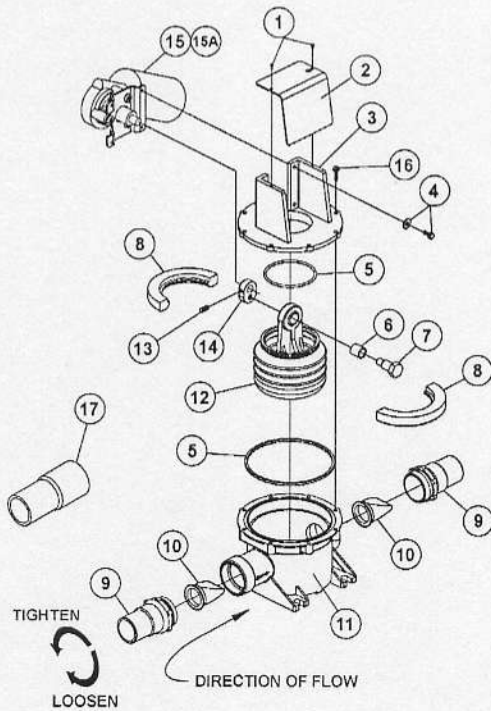
Parts List ♦ VacuFlush Pump S-Series & SaniPump T-Series

VacuFlush Pump, S-Series



Item	Part	Description
1	600340237	Cover Screw, #4 x 3/8" Pan Hd SS
2	385640239	Pump Cover
3	600341506	Top Closure
4	600342332	Hex Head Screw, #10-32 x 1/2" SS
5	385310151	O-Ring Replacement Kit
6	600340664	Bushing, Bellows
7	600343006	Hex Head Shoulder Screw, 1/2" x .687 x 3/8"-16
8	600347807	Bellows Clamp
9	600347800	Valve Nipple
10	385310076	1/2" Duckbill Valve (2)
11	600347801	Valve Adapter
12	600341504	Pump Body
13	385230980	Bellows Assembly (incl. item 6)
14	600347788	Set Screw, 1/4"-28 x 5/16", 1/2" Dog Point
15	600344470	Eccentric
16	385310245	Motor, 12VDC
16A	385310246	Motor, 24VDC
17	600341503	Hex Washer Head Screw #10-12 x 7/8", SS
-	385310249	Pump Assembly Less Motor (Includes items 3, 5, 6, 8 through 13)
-	385310902	Pump Repair Kit (Includes Items 5 & 6)

SaniPump T-Series Discharge Pump



Item	Part	Description
1	600340237	#4 x 3/8" Pan Head Screw
2	385640239	Pump Cover Kit
3	600341502	Pump Top Closure
4	600342332	#10-32 x 1/2" Hex Head Screw
5	385310151	O-Ring Replacement Kit
6	600340664	Bushing
7	600343006	Shoulder Screw, 1/2" x .687 x 3/8"-16
8	600347807	Bellows Clamp
9	600340669	Valve Nipple
10	385310076	1 1/2" Duckbill Valve (2)
11	600341489	Pump Body
12	385230980	Bellows Assembly (includes item 6)
13	600347788	Set Screw, 1/4"-28 x 5/16"
14	600344470	Eccentric
15	385310245	12 VDC Motor
15A	385310246	24 VDC Motor
16	600341503	#10-12 x 7/8" Hex Washer Head Screw
17	307341113	1" x 1 1/2" Reducing Adapter
-	385310250	Pump Assembly Less Motor (Includes Items 3, 5, 6, 8, 9, 10, 11, 12, 19)
-	385310836	Elbow Kit
-	385310902	Pump Repair Kit (Includes Items 5 & 6)