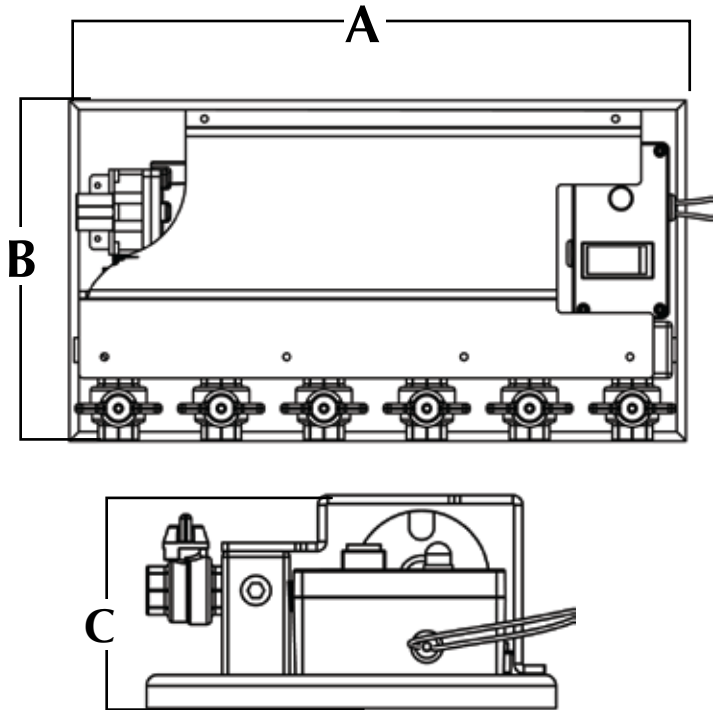


Reverso has been the premier maker of oil change systems for over 20 years. Installed as standard equipment by a majority of boat builders

- **Compact**
- **Reversible** (Draws and fills engines)
- **Self-priming**

Simplifies oil changes,
Reduces chances of oil spills
Valve options from 3 - 7



Drawing dimensions in INCHES for reference only. Technical drawings available upon request.

Technical Specification

Pump Port	1/2" Flare
Manifold Ports	1/2" Female NPT
Flow Rate	3 GPM / 11.35 LPM
Self priming	5 feet (wet gears)
Lift	30 feet
Pump body	Brass
Gears	Bronze
Shaft	Stainless Steel
Seal	Fluoroelastomer lip seal
Motor	DC 12/24v

Pressure PSI	12v Flow	24v Flow	12 v Amp.	24 v Amp.
0.2	3.0	3.5	6.0	3.4
10	3.3	3.5	7.2	3.7
15	3.3	3.5	8.3	4.1
20	3.1	3.2	9.2	4.8
25	3.1	3.2	10.1	5.2
30	2.9	3.1	11.5	5.8
35	2.9	3.1	12.9	6.5
40	2.7	2.9	14.2	7.3

Model	A	B	C	WEIGHT
GP-703	14.375"	9.25"	4.75"	23lbs/9.1 kg
GP-704	14.375"	9.25"	4.75"	23lbs/9.1 kg
GP-705	14.375"	9.25"	4.75"	23lbs/9.1 kg
GP-706	16.500"	9.25"	4.75"	24lbs/10.86kg
GP-707	19.750"	9.25"	4.75"	25lbs/11.33kg

Ordering Specifications

