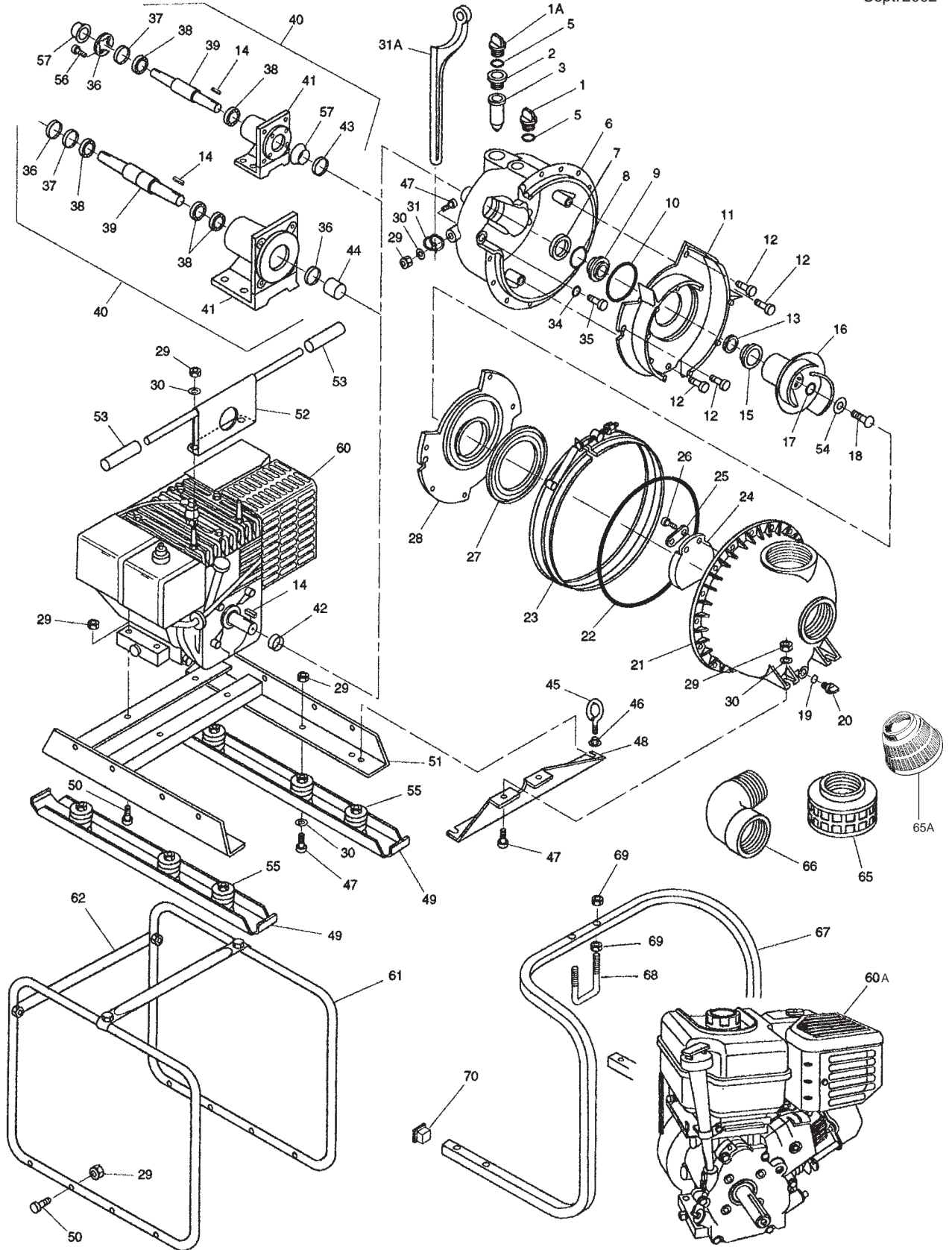


# SELF-PRIMING CENTRIFUGAL "T" PUMP

## EXPLODED VIEW PARTS DIAGRAM

PARTS LIST  
PP-9920 H  
Sept. 2002



servicing  
industry  
worldwide

**PACER® PUMPS**  
Div. of ASM Industries, Inc.

41 Industrial Circle  
Lancaster, PA 17601-5927  
Email: sales@pacerpumps.com  
Web: www.pacerpumps.com

717-656-2161  
800-233-3861  
FAX: 717-656-0477

# "T" PUMP PARTS LIST

\*All parts may be used for either 2" or 3" pumps unless specifically designated otherwise.

| PUMP   |       |              |   | PUMP        |        |           |                                     |   |             |
|--------|-------|--------------|---|-------------|--------|-----------|-------------------------------------|---|-------------|
| ITEM # | SIZE* | PART #       | PART DESCRIPTION  | QTY./PUMP   | ITEM # | SIZE*     | PART #                              | PART DESCRIPTION  | QTY./PUMP   |
| 1      |       | 58-0722 30B  | PLUG, Filler, Polyester   | 1           | 31     |           | 58-46274                            | HOLDER, Spanner Wrench, Steel   | 1           |
| 1A     |       | 58-0722 30B  | PLUG Filler, Oil Lube, Polyester  | 1           | 31A    | 2"        | 58-1896 50                          | SPANNER Wrench, Engine drive only   | 1           |
| 2      |       | 58-46294 30  | RETAINER Lube Tube  | 1           |        | 3"        | 58-1897 50                          | SPANNER Wrench, Engine drive only   | 1           |
| 3      |       | 58-46215 71  | TUBE, Lubrication, Buna-n   | 1           | 34     | 2"        | 58-0717 71                          | O-RING, Bracket screw, Buna-N   | 4           |
| 5      |       | 58-0765 71   | O-RING, Filler Plug, Buna-N   | 2           |        | 3"        | 58-46303 71                         | O-RING, Bracket screw, Buna-N   | 4           |
| 6      | 2"    | 58-46218 31B | BRACKET Assy, Includes Items 1, 1A, 2, 3, 5, 6, 7, 8, 9                         | 1           | 35     | 2"        | 58-0715 10                          | SCREW, Bracket, 5/16"-24 x 1-1/4" S.S.  | 4           |
|        | 3"    | 58-46208 31B | BRACKET Assy, Includes Items 1, 1A, 2, 3, 5, 6, 7, 8, 9                         | 1           |        | 3"        | 58-46308 10                         | SCREW, Bracket, 3/8"-16 x 1-3/4" S.S.   | 4           |
| 7      | 2"    | 58-46314 11  | SEAL, Oil Lip   | 1           | 36     | 2"        | 58-1953 10                          | END PLATE, Stainless Steel  | 1           |
|        | 3"    | 58-46313 11  | SEAL, Oil Lip   | 1           |        | 3"        | 58-46354                            | RING, Snap, Retaining, Steel  | 2           |
| 8      | 2"    | 58-0976 71   | O-RING, Shaft Seal, Buna-N  | 1           | 37     | 2"        | 58-1956 10                          | SHIM, Stainless Steel   | as required |
|        | 3"    | 58-46307 71  | O-RING, Shaft Seal, Buna-N  | 1           |        | 3"        | 58-46353 10                         | SHIM, Stainless Steel   | as required |
| 8, 9   | 2"    | 58-46250 11  | SEAL, Shaft, Stainless Steel,   | 1           | 38     | 2"        | 58-1954 90                          | BEARING   | 2           |
| & 15   |       |              | Siliconized Graphite, Buna-N  | 1           |        | 3"        | 58-46372 90                         | BEARING, for 58-46350 03 Ped. Assy.   | 3           |
|        | 3"    | 58-46251 11  | SEAL, Shaft, Stainless Steel,   | 1           | 39     | 2"        | 58-1952 10                          | SHAFT, 3/4" diameter, Stainless Steel   | 1           |
|        |       |              | Silicon Carbide, Buna-N   | 1           |        | 3"        | 58-46371 10                         | SHAFT, 1" x 1-1/8" diameter, Stainless Steel for 58-46350 03 ped assy.                                  | 1           |
| 10     | 2"    | 58-1203 71   | O-RING, Volute, Buna-N  | 1           | 40     | 2"        | 58-1950 03                          | PEDESTAL ASSY, includes items 36, 37, 38, 39, 41, 43, 56 & 57 (3/4" shaft)                              | 1           |
|        | 3"    | 58-46292 71  | O-RING, Volute, Buna-N  | 1           |        | 3"        | 58-46350 03                         | PEDESTAL ASSY, includes items 36, 37, 38, 39, 41 & 44 (1" shaft)  | 1           |
| 11     | 2"    | 58-46224 80  | VOLUTE, Urethane coated with Steel core   | 1           | 41     | 2"        | 58-1951 90                          | HOUSING, bearing pedestal, for 3/4" shaft   | 1           |
|        | 3"    | 58-46204 80  | VOLUTE, Urethane coated with Steel core   | 1           |        | 3"        | 58-46373 90                         | HOUSING, bearing pedestal for 58-46350 03 Pedestal Assembly   | 1           |
| 12     | 2"    | 58-46269 10  | SCREW, Button Head 1/4"-20 x 1" Stainless Steel                                 | 2           | 42     | 2"        | 58-0884 71                          | SLINGER, for 3/4" shaft   | 1           |
|        | 3"    | 58-46269 10  | SCREW, Button Head 1/4"-20 x 1" Stainless Steel                                 | 4           |        | 3"        | 58-46266 71                         | SLINGER, for 1" shaft   | 1           |
| 13     | 2"    | 58-0778 11   | SHIM, Impeller, .006" S.S.  | as required | 43     | 2"        | 58-46219 10                         | SLEEVE, for 3/4" shaft, Stainless Steel   | 1           |
|        | 2"    | 58-0778 12   | SHIM, Impeller, .015" S.S.  | as required | 44     | 3"        | 58-46359 10                         | SLEEVE, for 1" shaft, s.s., pedestal only   | 1           |
|        | 2"    | 58-0778 13   | SHIM, Impeller, .030" S.S.  | as required | 45     | 2"        | 58-46279                            | BOLT, eye, plated steel   | 2           |
|        | 3"    | 58-46338 10  | SHIM, Impeller .015" S.S.   | as required |        | 3"        | 58-2167                             | SCREW, 5/16"-18 x 1 1/2", plated steel  | 2           |
| 14     | 2"    | 58-46339     | KEY, 3/16" x 11/16" long, steel   | 1           | 46     |           | 58-46280                            | NUT, flange, 5/16"-18, plated steel   | 2           |
|        | 3"    | 58-46278     | KEY, 1/4" x 1" long, steel  | 1           | 47     |           | 58-0729                             | SCREW, 5/16"-18 x 1", plated steel Engine drive only  | 9           |
| 16     | 2"    | 58-46229 80  | IMPELLER, Urethane coated with Steel core                                       | 1           | 48     | 2"        | 58-46306                            | SUPPORT, Front housing, 17" long, Painted steel   | 1           |
|        | 2"    | 58-46229 81  | IMPELLER Assy, as above but with siliconized graphite seal half installed       | 1           |        | 3"        | 58-46365                            | SUPPORT, Front housing, 19-15/16" Long, Painted steel   | 1           |
|        | 2"    | 58-46229 90  | IMPELLER, Molded, Polymar 656   | 1           | 49     | 3"        | 58-46331 01                         | SKID ASSY, includes mounted springs   | 2           |
|        | 2"    | 58-46229 91  | IMPELLER Assy, Molded Polymar 656 with siliconized graphite seal half installed | 1           |        | 2"        | 58-46315 01                         | SKID ASSY, includes mounted springs   | 2           |
|        | 3"    | 58-46214 80  | IMPELLER, Urethane coated with Steel core                                       | 1           | 50     |           | 58-2167                             | SCREW, 5/16"-18 x 1-1/2", plated steel  | as required |
|        | 3"    | 58-46214 81  | IMPELLER, Assy, as above but with silicon carbide seal half installed           | 1           | 51     | 2"        | 58-46310                            | CHASSIS weldment, painted steel   | 1           |
|        | 3"    | 58-46214 90  | IMPELLER, Molded, Polymar 656   | 1           |        | 3"        | 58-46355                            | CHASSIS weldment, painted steel   | 1           |
|        | 3"    | 58-46214 91  | IMPELLER, Assy, Molded Polymar 656 with silicon carbide seal half Installed     | 1           |        | 3"        | 58-46379                            | CHASSIS weldment for 8HP Intek powered pump, painted steel  | 1           |
| 17     | 2"    | 58-46291 71  | O-RING, Impeller Screw, Buna-N All 2" & 3" Polymar 656 impellers                | 1           | 52     | 3"        | 58-46268                            | HANDLE, weldment, painted steel, 8hp Engine driven only (obsolete 10/2/00)                              | 1           |
|        | 3"    | 58-46290 71  | O-RING, Impeller Screw, Buna-N Urethane coated 3" impellers only                | 1           |        | 2"        | 58-46311                            | HANDLE, weldment, 17-1/4" long, painted steel (not for engines w/overhead fuel tank) (obsolete 10/2/00) | 1           |
| 18     | 2"    | 58-0715 10   | SCREW, Impeller, 5/16"-24 x 1-1/4" Stainless Steel                              | 1           | 53     |           | 58-46267 90                         | GRIP, handle, vinyl (obsolete 10/2/00)  | 2           |
|        | 3"    | 58-46309 10  | SCREW, Impeller, 7/16"-20 x 1-1/4" Stainless Steel                              | 1           | 54     | 2"        | 58-46341                            | WASHER, Impeller screw, rubber coated   | 1           |
| 19     |       | 58-1009 71   | O-RING, Drain plug, Buna-N  | 1           | 55     |           | 58-46317 10                         | SPRING, stainless steel   | 6           |
| 20     |       | 58-0723 30   | PLUG, Drain, Polyester  | 1           | 56     | 2"        | 58-2525 10                          | SCREW, hex, 1/4"-20 x 3/4", Stainless   | 4           |
| 21     | 2"    | 58-46252 31B | BODY Assy, Includes items 19, 20, 24, 25, 26, 27 and the body                   | 1           | 57     | 2"        | 58-1955 71                          | LIP SEAL, Buna-N  | 2           |
|        | 3"    | 58-46207 31B | BODY Assy, Includes items 19, 20, 24, 25, 26, 27 and the body                   | 1           | 60A    | 2"        | 58-0644                             | ENGINE, B & S, 5.5hp INTEK OHV, Recoil Start, Econo 'T' only  | 1           |
| 22     |       | 58-46304 71  | O-RING, Body, Buna-N  | 1           | 60     | 2"        | 58-0644 A                           | ENGINE, B & S, 5.5hp INTEK PRO OHV, Recoil start, overhead fuel tank                                    | 1           |
| 23     |       | 58-46305 10  | CLAMP, V-Band, Stainless Steel  | 1           |        | 2"        | 58-0635 H                           | ENGINE, HONDA, 5.5hp, OHV, Recoil Start, overhead fuel tank   | 1           |
| 24     |       | 58-46217 71  | VALVE, Check, Buna-N  | 1           | 3"     | 58-0648 A | ENGINE, B&S, 8hp, I/C, Recoil start | 1   |             |
| 25     |       | 58-46344 30  | RETAINER, Check valve, Polyester  | 1           |        | 3"        | 58-0648 K                           | ENGINE, Kohler, 8.5hp, OHV Recoil Start   | 1           |
| 26     |       | 58-1348 10   | SCREW, check valve retainer, #10-14 x 3/4" self-tapping, Stainless Steel        | 2           | 61     | 3"        | 58-46261                            | ROLL BAR, painted steel   | 2           |
| 27     |       | 58-46206 71  | GASKET, Suction, Buna-N   | 1           | 62     | 3"        | 58-46265                            | CROSS BAR, painted steel  | 2           |
| 28     | 2"    | 58-46225 91  | WEARPLATE, Rubber coated with Steel core  | 1           | 65     | 2"        | 58-46286                            | STRAINER, Suction, Plated Steel   | 1           |
|        | 3"    | 58-46205 91  | WEARPLATE, Rubber coated with Steel core  | 1           |        | 3"        | 58-46287                            | STRAINER, Suction, Plated Steel   | 1           |
| 29     |       | 58-0745      | KEPNUT, 5/16"-18, plated steel as req'd   |             | 65A    | 2"        | 58-0733                             | STRAINER, Suction, Molded Plastic   | 1           |
| 30     |       | 58-0730      | WASHER, flat, 5/16", plated steel, Engine drive only                            | 14          |        | 3"        | 58-0757                             | STRAINER, Suction, Molded Plastic   | 1           |
|        |       |              |   |             | 66     | 2"        | 58-0752 40                          | ELBOW, Street, Molded Plastic   | 1           |
|        |       |              |   |             |        | 3"        | 58-0756 40                          | ELBOW, Street, Molded Plastic   | 1           |
|        |       |              |   |             | 67     | 2"        | 58-2035                             | CARRYING HANDLE, Painted Steel  | 1           |
|        |       |              |   |             | 68     | 2"        | 58-2036                             | U BOLT, 3/8-16, Plated Steel  | 1           |
|        |       |              |   |             | 69     | 2"        | 58-2037                             | HEX NUT, 3/8-16, Plated Steel   | 4           |
|        |       |              |   |             | 70     | 2"        | 58-0726 90                          | FINISHING CAP, Plastic  | 2           |
|        |       |              |   |             | 71     | 2"        | 58-0114                             | RUBBER FEET KIT, Econo 'T' only   | 1           |