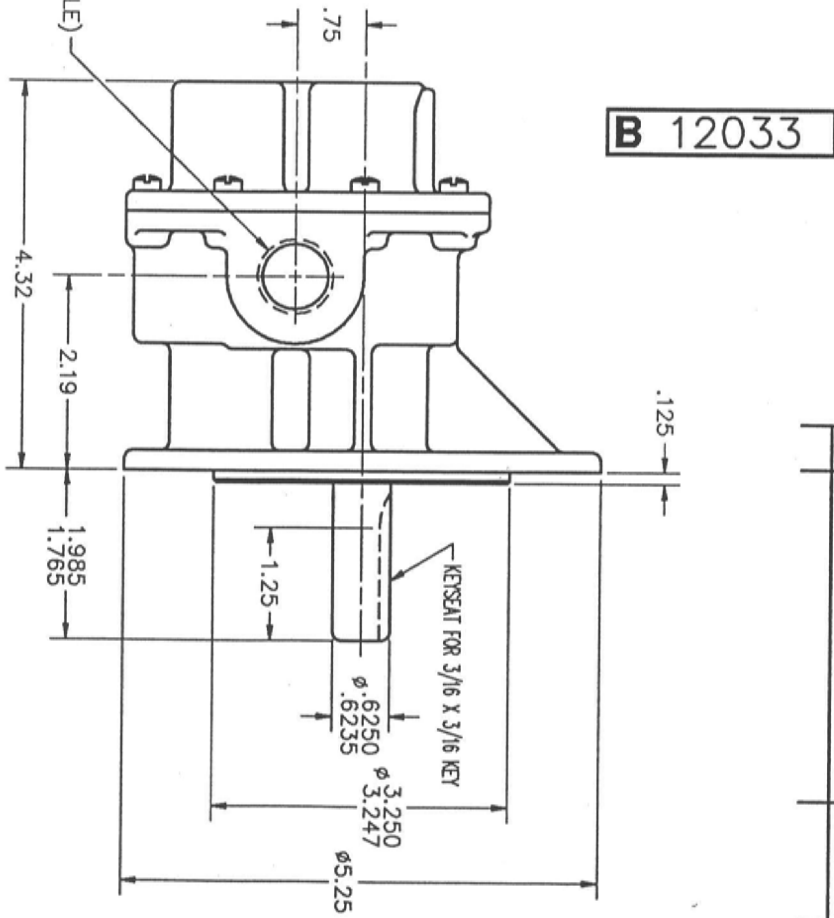
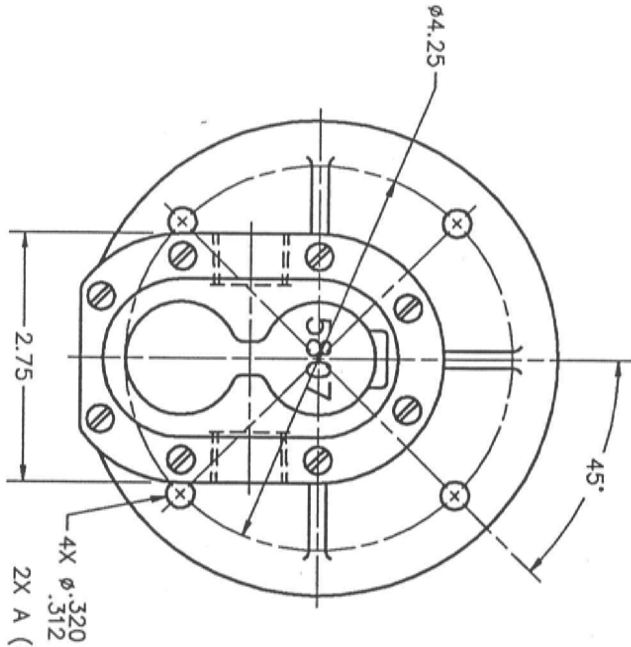


NOTE:
ALL DIMENSIONS ARE REFERENCE.



PORT DATA TABLE

MODEL NO	A
994	.50-14 NPT
994E	.50-14 BSPT

PART NAME	
994/994E OUTLINE	
REV	DATE
DESCRIPTION	APPROVED

REVISIONS	
REV	DATE
DESCRIPTION	APPROVED