

BRONZE CENTRIFUGAL PUMPS



OBERDORFER PUMPS
A Subsidiary of Thomas Industries Inc.

MODELS
50P-15
50P-35

PIPE SIZE: INLET 3/8", OUTLET 3/8"



50P-35 shown

FEATURES

- n All Bronze Construction
- n Heavy Duty Ball Bearings
- n Designed for Pulley Drive
- n Mechanical Seal
- n Quiet Operation
- n Handles Contaminated Liquids
- n No Lubrication Required

USES

Silent, efficient, centrifugal pumping is ideal for convenient equipment location in offices, laboratories, public areas, and living quarters. Long trouble-free service life has made centrifugal pumps acceptable for industrial uses or wherever clean or contaminated liquid compatible with bronze is to be transferred or handled.

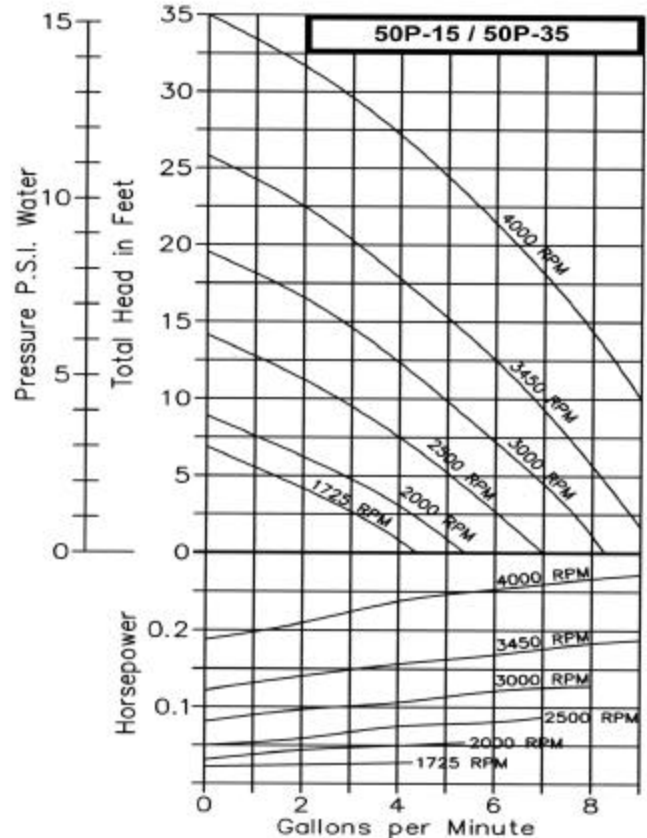
The 50P centrifugal pumps have an external ball bearing isolated from the liquid being pumped. The ball bearing is greased and sealed for life, requiring no maintenance.

CHARACTERISTICS

Oberdorfer centrifugal pumps have a single rotating metal impeller. Liquid enters at the center and is thrown outward radially by centrifugal force. The impeller is not in contact with other pump parts resulting in quiet, efficient, pumping action. The flow produced is not positive which permits the discharge line to be shut off completely without danger of overloading motors or bursting lines. Consequently a relief valve is not required.

The liquid flow is proportional to the pump speed--the higher the speed the greater the flow. Horsepower required varies directly as flow and pressure. Maximum horsepower is required with a wide open discharge line. This is the point of maximum flow. With a throttled discharge, the flow decreases at a greater rate than the pressure increases thereby requiring less horsepower at the higher pressures. This is known as an "unloading" feature of the pump.

Capacity - Water at 70° F



This centrifugal pump is not self priming. Normally these pumps must be installed below the liquid level so that the liquid flows to the pump by gravity. However, if a foot valve is used at the beginning of the suction line and all air is bled from the suction line and pump by careful manual priming, these pumps will lift liquid on the suction side up to 15 ft. Such a system is only as positive as the ability of the foot valve to seal and keep the suction line and pump full of liquid. If the foot valve should leak, the pump will not prime.

The pedestal centrifugal pumps can be direct driven by electric motors at either 3450 R.P.M. or 1725 R.P.M. Performance for both speeds are shown in the curves above. The 50P pedestal centrifugal pumps can be pulley driven at any desired intermediate speed.

Because centrifugal pumps are more efficient at higher shaft speeds, pumping of viscous or thick liquids is difficult. It is possible to lose as much as 40% pump performance when attempting to pump liquids of viscosity equal to S.A.E. 30 oil at room temperature. S.A.E. 30 oil at room temperature has a viscosity of 2000 Saybolt Seconds Universal. More viscous liquids are not recommended for centrifugal pumps.

Heavy liquids can be pumped; however, they demand more horsepower in direct ratio to the weight of water. For example, carbon tetrachloride has a specific gravity of 1.6 which means it is 1.6 times heavier than water and the horsepower required is 1.6 times water horsepower.

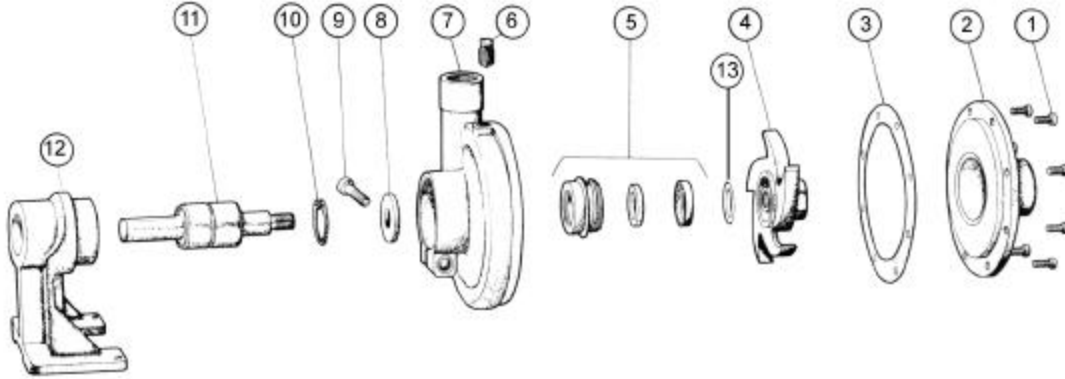
(continued on back)

MODELS
50P-15
50P-35

BRONZE CENTRIFUGAL PUMPS

OBERDORFER PUMPS
A Subsidiary of Thomas Industries Inc.

EXPLODED VIEW AND PARTS LIST

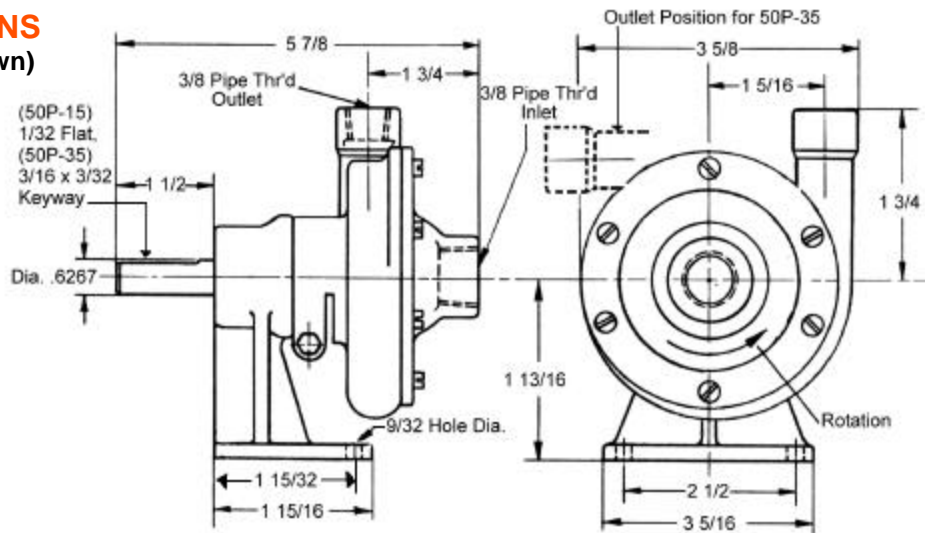


Pump No.	1	2	3 ¹	4 ¹	5 ¹	6	7	8	9	10	11 ¹	12	13	Repair Kit
	Screw	Cover	Gasket	Impeller	Seal Assy.	Plug	Body	Slinger	Screw	Ret. Ring	Shaft & Bearing	Pedestal	Shim	
	6 Req'd	1 Req'd	1 Req'd	1 Req'd	1 Req'd	1 Req'd	1 Req'd	1 Req'd	1 Req'd	1 Req'd	1 Req'd	1 Req'd	1 Req'd	
50P-15	5385	6483	6502	6476	32154	6052	6475	---	5595	5741	5348	6484	602502	10690
50P-35	5385	6483	6502	6476	32154	6052	6475	7447	5595	5741	8573	6484	602502	11369

¹ Items 3, 4, 5, & 11 are included in Repair Kit.

Differences between 50P-35 and 50P-15: slinger between seal and bearing, keyed shaft at drive end, top horizontal outlet position.

DIMENSIONS (50P-15 shown)



(continued from front)

LIQUIDS AND TEMPERATURES

Bronze pumps are suitable for most common liquids in the PH-range from 4 to 11.

The temperature limit for bronze pumps is 212°F, higher temperatures are possible with Viton(R)* or Chemlon seals. If in doubt, consult with factory.

SHAFT SEAL OPTIONS

Mechanical Shaft Seals have Buna rubber components (212°F max) as standard. For temperatures up to 400°F a Viton(R)* seal must be selected by adding code S10 to the pump number. To handle strong solvents and chemicals (compatible with bronze), a Chemlon seal (500°F max) must be specified by adding code S11 to the pump number.

In most instances, Viton(R)* and Chemlon seals are not field interchangeable with the standard Buna seals. Call factory for details.