



# OBERDORFER

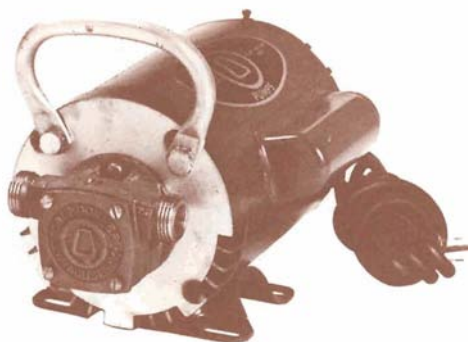
## BRONZE

### RUBBER IMPELLER PUMP

**MODEL**  
**211M F34**

#### PIPE SIZE

$\frac{3}{8}$  and  $\frac{3}{4}$  GARDEN HOSE



**MOTOR — 1/3 HP, 3450 RPM, 115V., 60HZ., 1 PH**

#### FEATURES

- Bronze Construction—Corrosion Resistance
- Garden Hose Threads (External) & Pipe Threads (Internal) Port Connections
- Impeller & Cam Easily Replaced
- Large Vent Openings Separate Pump & Motor
- Motor Shafts are Stainless Steel
- Shaft Slinger Protects Motor Bearings
- Convenient Carrying Handle & Grounded 3 Conductor Plug-in Cord

#### CAPACITY Water at 60°F

FT. HD.	0	10	20	30	40	50	60	70
PSI	0	4.3	8.7	13.0	17.3	21.7	26.0	30.0
G.P.M.	12½	12¼	11½	11	10	9	8	6½

GPM—GALLONS PER MINUTE  
PSI—LBS. PER SQUARE INCH PRESSURE  
FT. HD.—FEET HEAD PRESSURE

#### DRIVE AND ROTATION

Motor drive is clockwise facing pump end. Liquid flow direction is right to left facing pump end—see line dimension drawing on reverse side.

#### DO NOT RUN DRY

Rubber impellers generate high rubbing friction unless lubricated by liquid pumped. Lack of liquid will cause impeller to burn up.

#### LIQUIDS AND TEMPERATURE

Liquids compatible with neoprene can be pumped including fresh and salt water solutions and mild chemicals. Do not pump severe solvents or acids. When possible flush pump with fresh water after each usage.

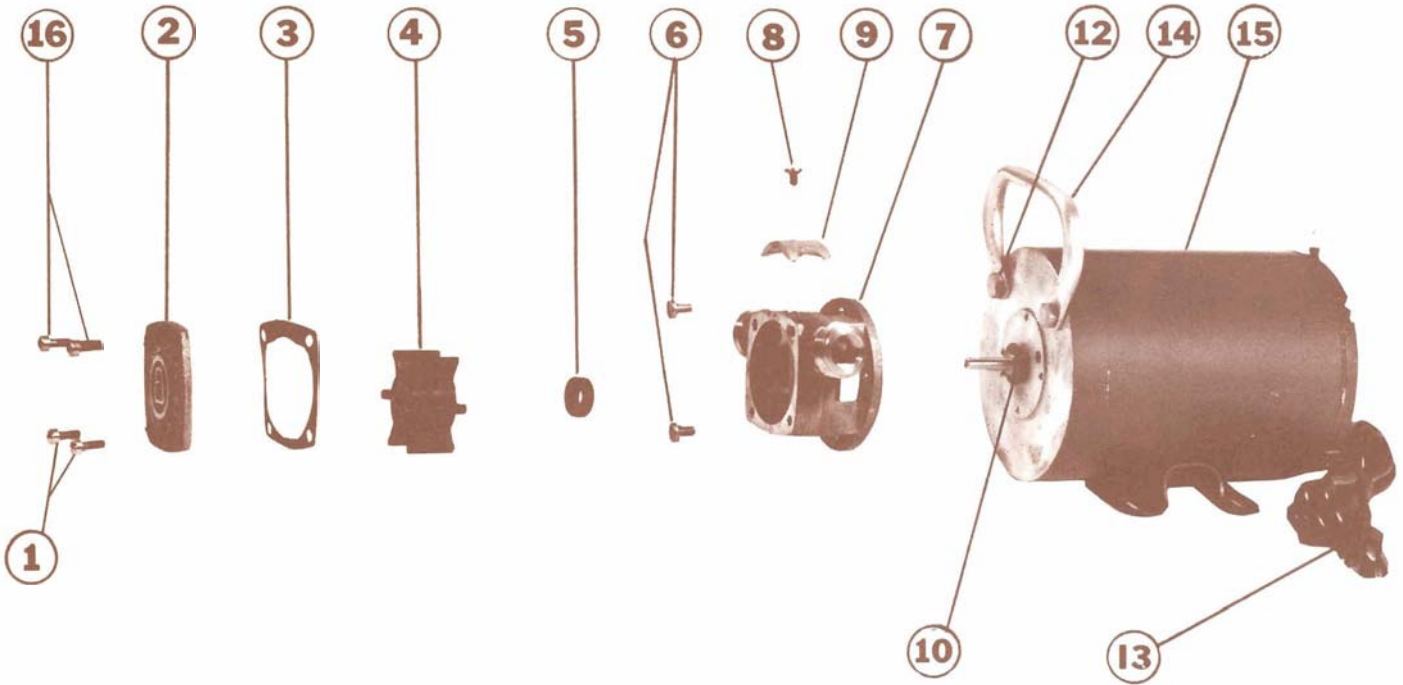
Extremes of cold and heat will affect impeller life. Limits of 40° to 140°F should be observed. Do not allow liquid in pump to freeze. Drain pump by loosening cover screws. Use methyl alcohol based anti-freeze compounds such as Zerex, Shell Zone, Pyro Permanent, Permagard, Dowgard.

#### SUCTION LIFT

Suction lift of 10 ft. is possible when impeller is wet. Suction lines must be air tight in order for pump to self prime. Always use foot valve at beginning of suction line to keep suction line full and impeller wet.

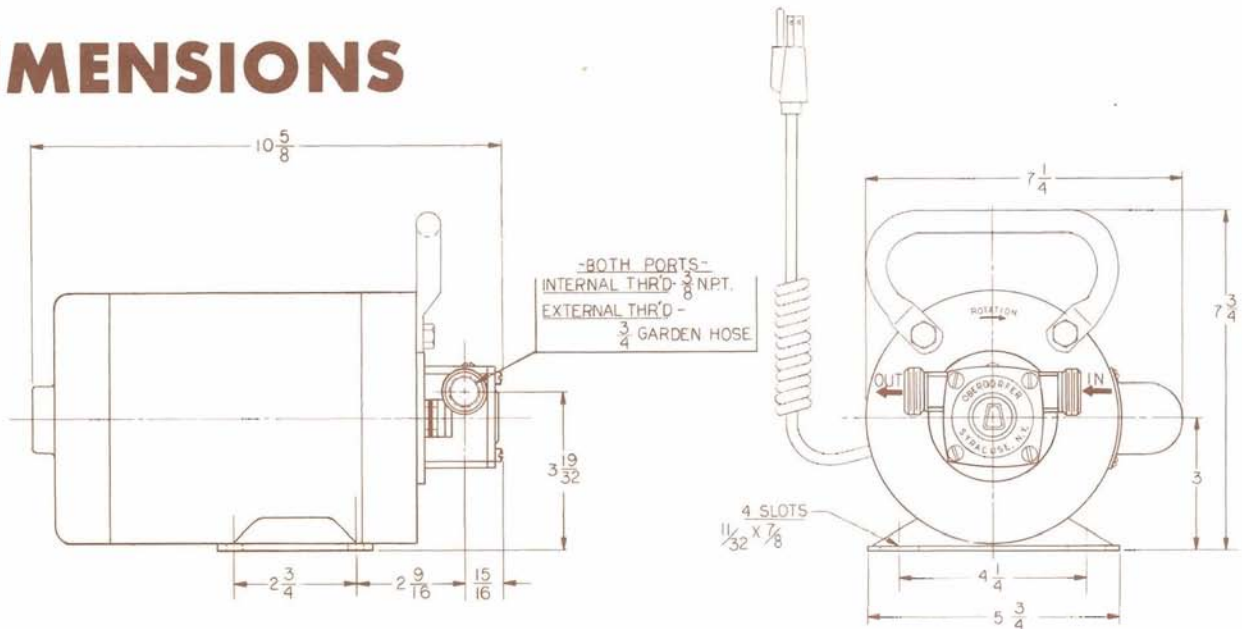
**MODEL  
211M F34**

# OBERDORFER BRONZE RUBBER IMPELLER PUMP



REPAIR KIT NO. INCLUDES SHADED PARTS	PUMP NO.	1	2	3	4	5	6	7	8	9	10	12	13	14	15	16
		SCREW	COVER	GASKET	IMPELLER	SEAL	SCREW	BODY	SCREW	CAM	SLINGER	SCREW	CORD	HANDLE	MOTOR	SCREW
		2 Req'd	1 Req'd	1 Req'd	1 Req'd	1 Req'd	2 Req'd	1 Req'd	1 Req'd	1 Req'd	1 Req'd	2 Req'd	1 Req'd	1 Req'd	1 Req'd	2 Req'd
10910	211M F34	A5385	B6638	A7547	B6593	A5007	A6653	C6758	A6652	B6592	A6757	A5411	A6761	B7766	C7462	A6074

## DIMENSIONS



PUMP NO. 211M F34