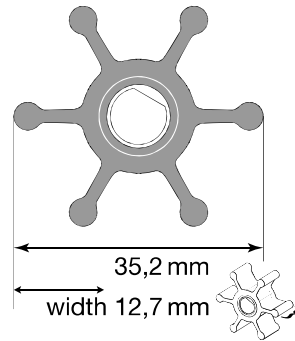


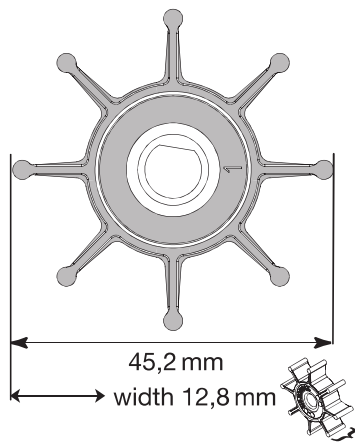
Impellers

F2

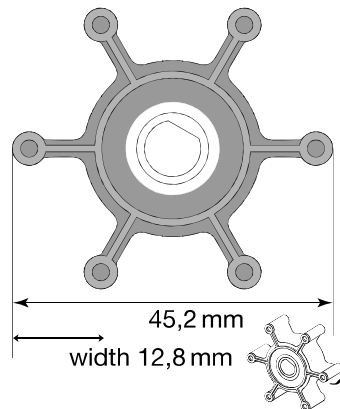
Impeller article number 09-1077B-9
Nitrile (oil resistant)



F3

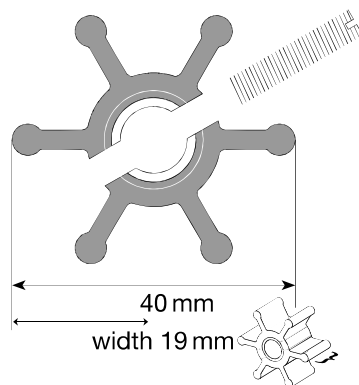


Impeller article number 09-843S-9
Nitrile (oil resistant)
for F3B-19

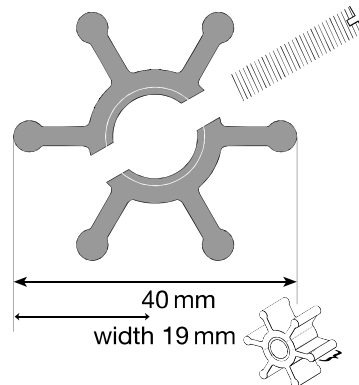


Impeller article number 09-1052S-9
Nitrile (oil resistant)
for TA3P-10

F35



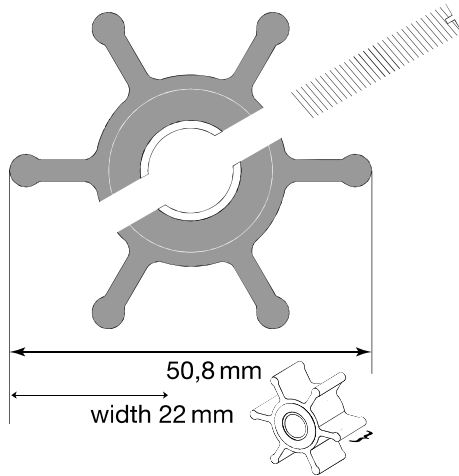
Impeller article number 09-806B
Neoprene (for cooling)
replaces Jabsco 4528-0001 Europe & USA
inner diameter 9,5 mm



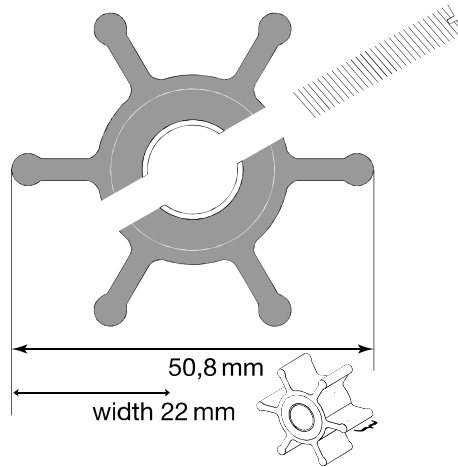
Impeller article number 09-808B
Neoprene (for cooling)
replaces Jabsco 22405-0001 Europe & USA
inner diameter 12 mm

Spare parts

F4

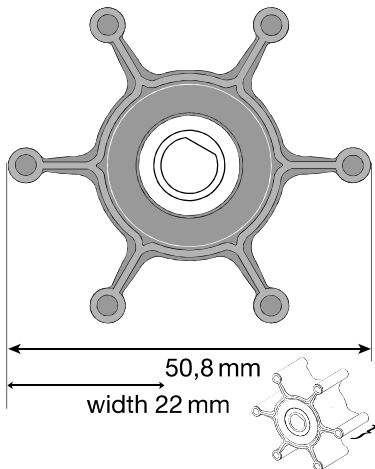


Impeller article number 09-810B
Neoprene (for cooling)
replaces Jabsco 18653-0001 Europe & USA
Impeller article number 09-810B-9
Nitrile (oil resistant)
inner diameter 12 mm



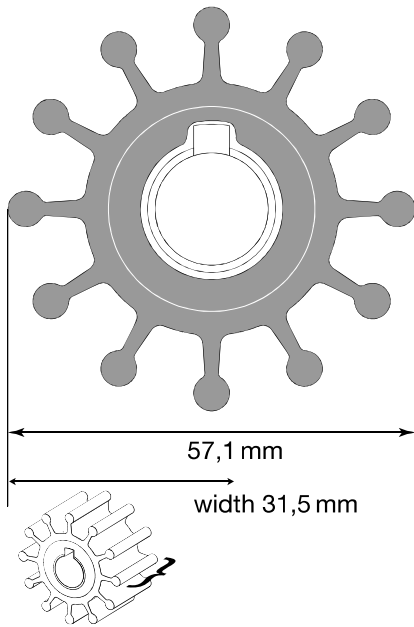
Impeller article number 09-1026B
Neoprene (for cooling)
replaces Jabsco 673-0001 Europe & USA
Impeller article number 09-1026B-9
Nitrile (oil resistant)
replaces Jabsco 673-0003 Europe & USA
inner diameter 12,7 mm

F4

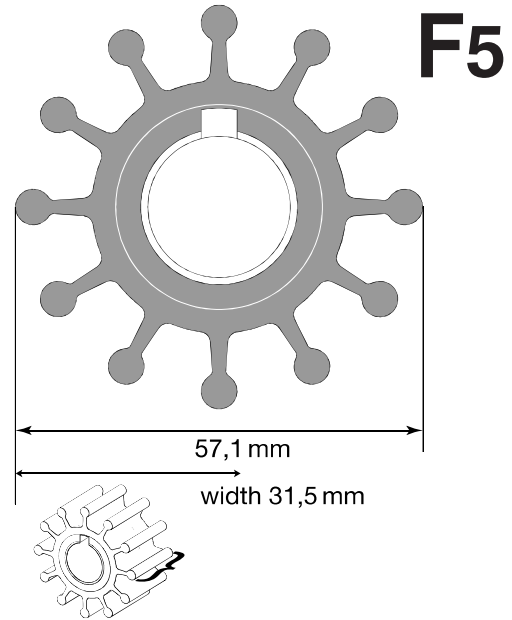


Impeller article number 09-824P
Nitrile (oil resistant)
replaces Jabsco 6303-0003 Europe & USA

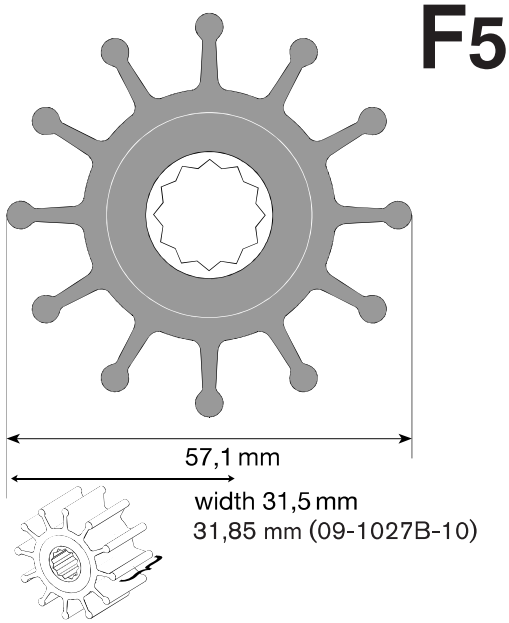
Spare parts



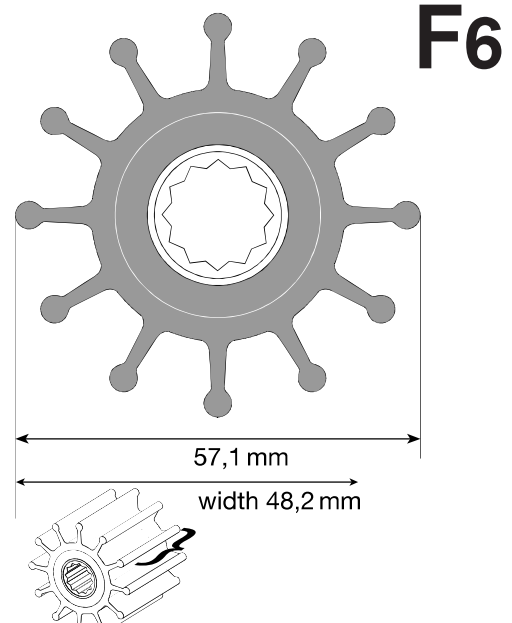
Impeller article number 09-801B
 Neoprene (for cooling)
 replaces Jabsco 4568-0001 Europe & USA
 inner diameter 15,9 mm/key



Impeller article number 09-804B-9
 Nitrile (oil resistant)
 inner diameter 20 mm/key



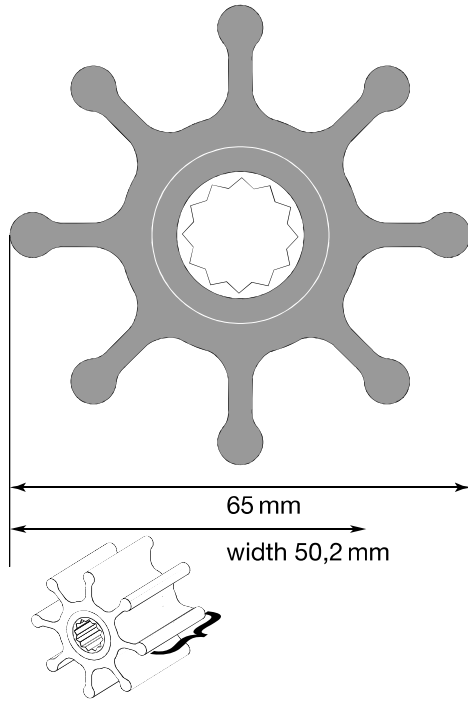
Impeller article number 09-1027B
 Neoprene (for cooling)
 replaces Jabsco 1210-0001 Europe & USA
 Impeller article number 09-1027B-9
 Nitrile (oil resistant)
 replaces Jabsco 1210-0003 Europe & USA
 Impeller article number 09-1027B-10
 MC97



Impeller article number 09-812B
 Neoprene (for cooling)
 replaces Jabsco 13554-0001 USA

Spare parts

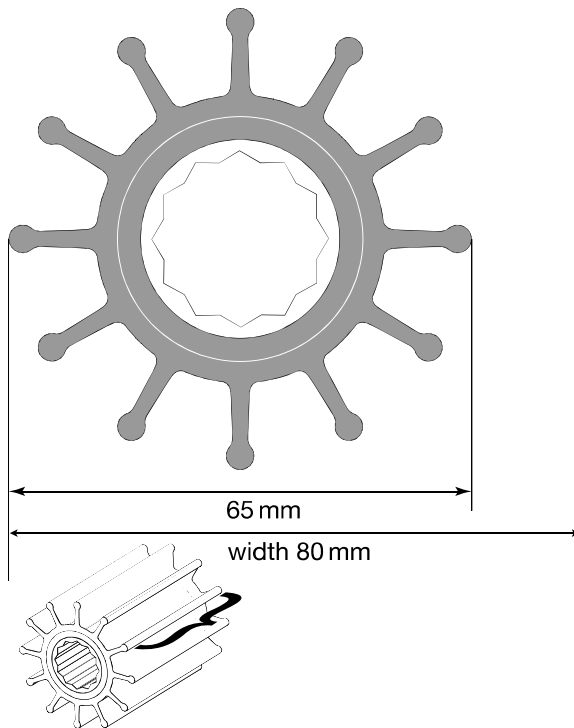
F7



Impeller article number 09-1028B
Neoprene (for cooling)
replaces Jabsco 17937-0001 Europe&USA
Impeller article number 09-1028B-9
Nitrile (oil resistant)
replaces Jabsco 17937-0003 Europe&USA

Spare parts

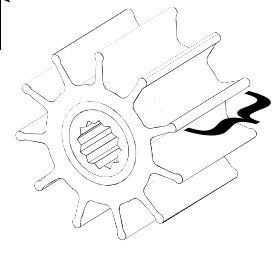
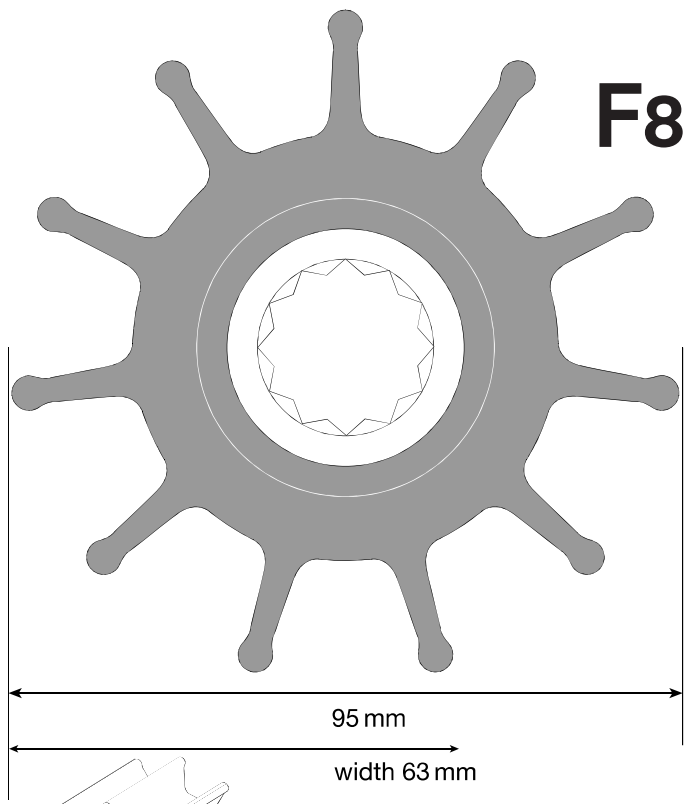
F75



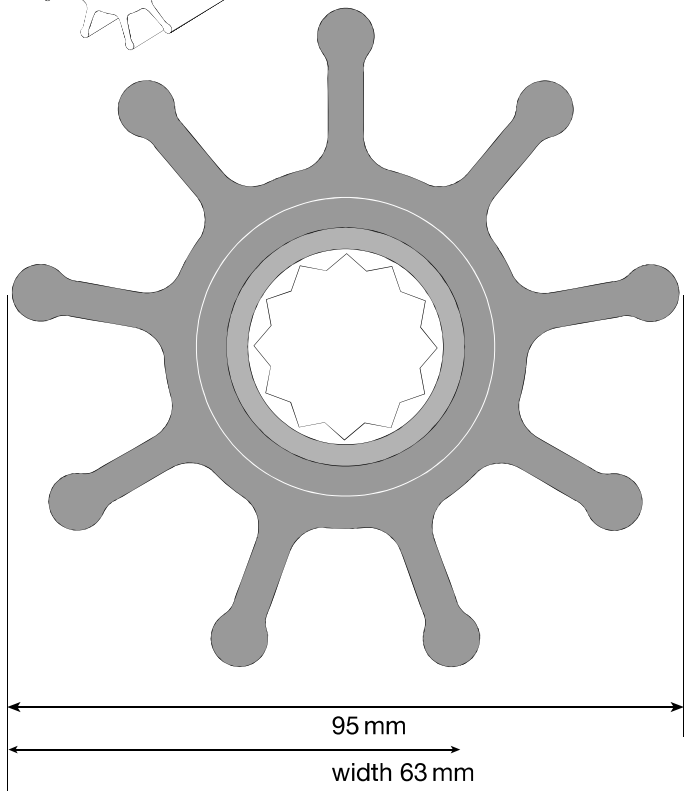
Impeller article number 09-821B
Neoprene (for cooling)

F8

Impeller article number **09-819B**
Neoprene (for cooling)
*replaces Jabsco 836-0001 Europe &
17935-0001 USA*
Impeller article number **09-819B-9**
Nitrile (oil resistant)
*replaces Jabsco 836-0003 Europe &
17935-0003 USA*

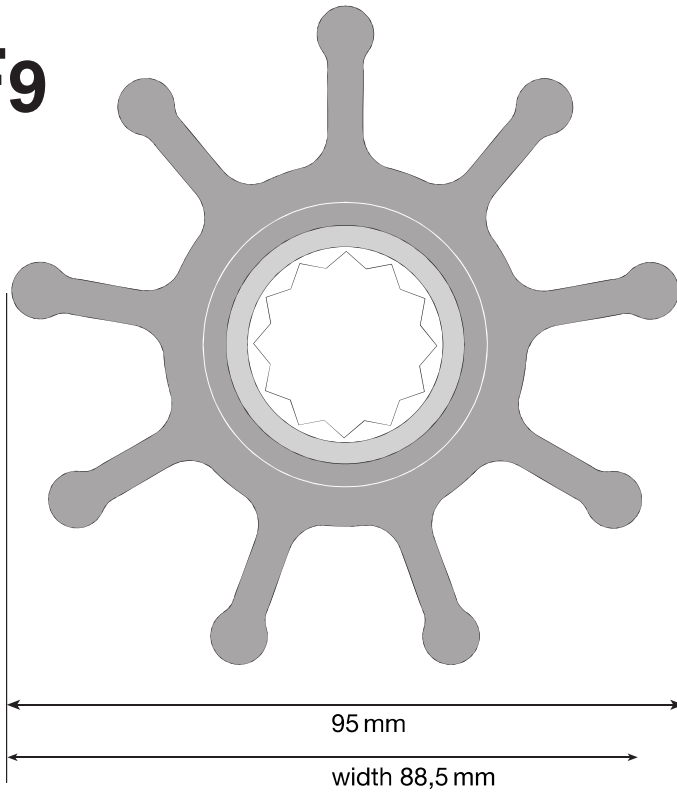


Impeller article number **09-1029B**
Neoprene (for cooling)
*replaces Jabsco 836-0001 Europe &
17935-001 USA*

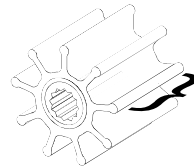


Spare parts

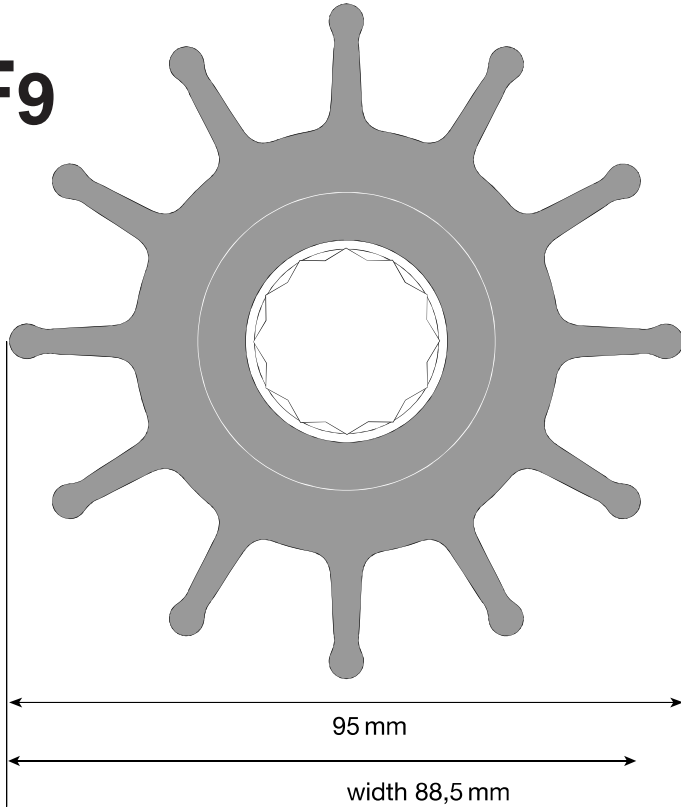
F9



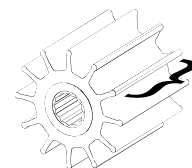
Impeller article number 09-802B
Neoprene (for cooling)
replaces Jabsco 6760-0001 Europe & USA



F9

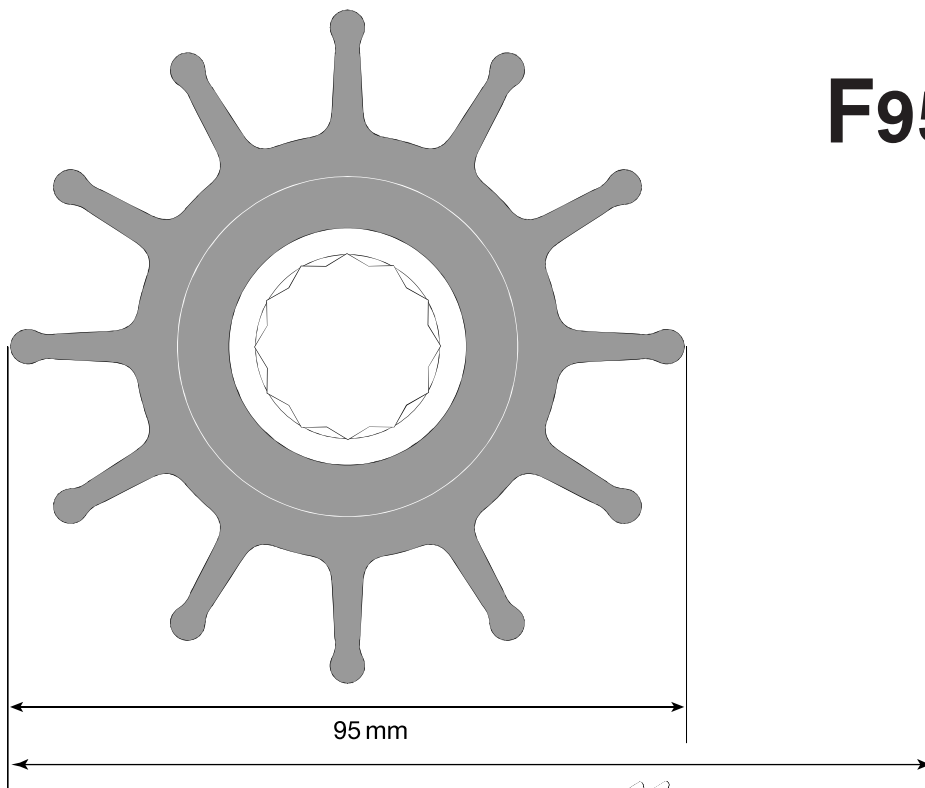


Impeller article number 09-814B
Neoprene (for cooling)
*replaces Jabsco 21676-0001 Europe &
17936-0001 USA*



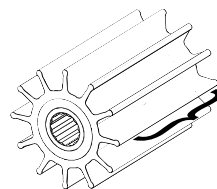
Spare parts

F95



95 mm

width 130 mm



Impeller article number 09-820B
Neoprene (for cooling)

Spare parts