

Rev. No.	1	Rev. No.	1
Mark	1	Mark	1
1221P05	10-35127-2	1221P05	10-35127-2
23484	10-35127-2	23484	10-35127-2
300	10-35127-2	300	10-35127-2

Mark	1	Mark	1
1221P05	10-35127-2	1221P05	10-35127-2
23484	10-35127-2	23484	10-35127-2
300	10-35127-2	300	10-35127-2

Mark	1	Mark	1
1221P05	10-35127-2	1221P05	10-35127-2
23484	10-35127-2	23484	10-35127-2
300	10-35127-2	300	10-35127-2

Mark	1	Mark	1
1221P05	10-35127-2	1221P05	10-35127-2
23484	10-35127-2	23484	10-35127-2
300	10-35127-2	300	10-35127-2

Mark	1	Mark	1
1221P05	10-35127-2	1221P05	10-35127-2
23484	10-35127-2	23484	10-35127-2
300	10-35127-2	300	10-35127-2

Mark	1	Mark	1
1221P05	10-35127-2	1221P05	10-35127-2
23484	10-35127-2	23484	10-35127-2
300	10-35127-2	300	10-35127-2

Mark	1	Mark	1
1221P05	10-35127-2	1221P05	10-35127-2
23484	10-35127-2	23484	10-35127-2
300	10-35127-2	300	10-35127-2

Mark	1	Mark	1
1221P05	10-35127-2	1221P05	10-35127-2
23484	10-35127-2	23484	10-35127-2
300	10-35127-2	300	10-35127-2

Mark	1	Mark	1
1221P05	10-35127-2	1221P05	10-35127-2
23484	10-35127-2	23484	10-35127-2
300	10-35127-2	300	10-35127-2

Mark	1	Mark	1
1221P05	10-35127-2	1221P05	10-35127-2
23484	10-35127-2	23484	10-35127-2
300	10-35127-2	300	10-35127-2

Mark	1	Mark	1
1221P05	10-35127-2	1221P05	10-35127-2
23484	10-35127-2	23484	10-35127-2
300	10-35127-2	300	10-35127-2

Mark	1	Mark	1
1221P05	10-35127-2	1221P05	10-35127-2
23484	10-35127-2	23484	10-35127-2
300	10-35127-2	300	10-35127-2

Mark	1	Mark	1
1221P05	10-35127-2	1221P05	10-35127-2
23484	10-35127-2	23484	10-35127-2
300	10-35127-2	300	10-35127-2

Mark	1	Mark	1
1221P05	10-35127-2	1221P05	10-35127-2
23484	10-35127-2	23484	10-35127-2
300	10-35127-2	300	10-35127-2

Mark	1	Mark	1
1221P05	10-35127-2	1221P05	10-35127-2
23484	10-35127-2	23484	10-35127-2
300	10-35127-2	300	10-35127-2

Mark	1	Mark	1
1221P05	10-35127-2	1221P05	10-35127-2
23484	10-35127-2	23484	10-35127-2
300	10-35127-2	300	10-35127-2

Mark	1	Mark	1
1221P05	10-35127-2	1221P05	10-35127-2
23484	10-35127-2	23484	10-35127-2
300	10-35127-2	300	10-35127-2

Mark	1	Mark	1
1221P05	10-35127-2	1221P05	10-35127-2
23484	10-35127-2	23484	10-35127-2
300	10-35127-2	300	10-35127-2

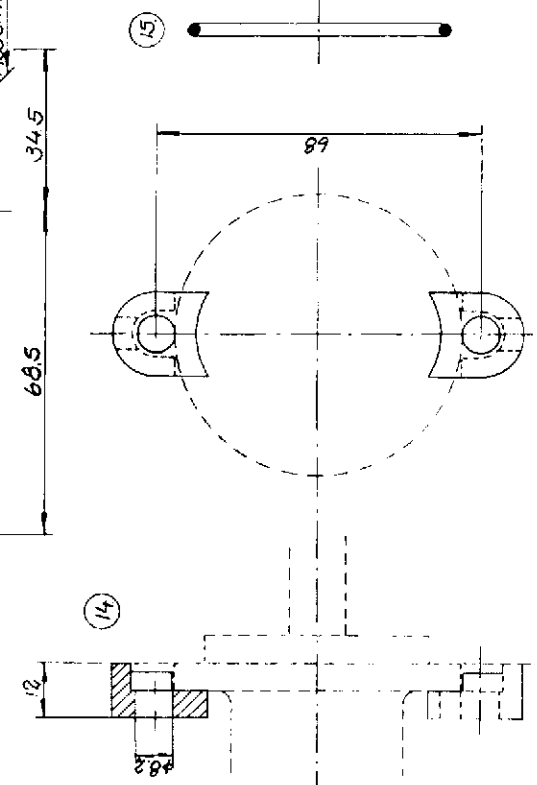
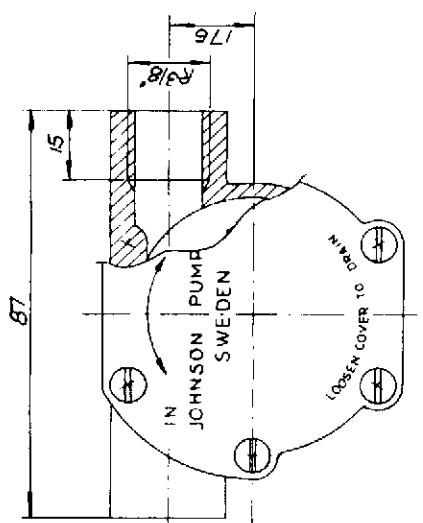
Mark	1	Mark	1
1221P05	10-35127-2	1221P05	10-35127-2
23484	10-35127-2	23484	10-35127-2
300	10-35127-2	300	10-35127-2

Mark	1	Mark	1
1221P05	10-35127-2	1221P05	10-35127-2
23484	10-35127-2	23484	10-35127-2
300	10-35127-2	300	10-35127-2

Mark	1	Mark	1
1221P05	10-35127-2	1221P05	10-35127-2
23484	10-35127-2	23484	10-35127-2
300	10-35127-2	300	10-35127-2

Mätt till anslutning
Measure to the part 51.3

Monteringsmått
Assembly measure 40.8±0.10



Part No	Nos	Description	Material	Dimension	Draw. No.
Del nr	Antal	Beskrivning			Rev. nr
16	1	Distansbricka	Spacer		01-45955
15	1	O-ring		40.8 x 2.4	See table
14	2	Klamma	Clip		01-43238
13	1	O-ring			05-06-513
12	2	Kullager	Ballbearing		See table
11	1	Låsring	Retaining ring		05-34-131
10	2	Lappplattning	Lip seal		05-29-189
9	6	Skruv	Screw		05-04-163
8	1	Skruv	Screw		05-04-124
7	1	Skruv	Screw		05-04-114
6	1	Packning	Gasket		01-45284
5	1	Lås	Lock		01-45282
4	1	Kam	Cam		01-42389
3	1	Impeller	Impeller		08-810 B
2	1	Axel	Shaft		01-45353
1	1	Pumphus	Body		01-35099-2

Tolerances unless otherwise noted Tolerans där ej annat anges		Sharp edges broken Skarpa kanter brytes	
Unmachined surface Obearbetad yta		Burrs not permitted Grader inte tillåts	
This drawing is the property of J.P. Protected in accordance with prevailing law Den här ritningen är J.P.'s egendom Skyddad enligt gällande lag		Scale Skala	
Date Datum		Rev. No. Rev. nr	
86-07-17 TE		11	
92-04-06 t		t	
10-35127-2		10-35127/P05	