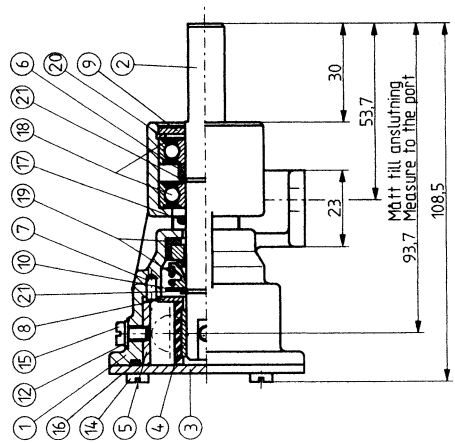
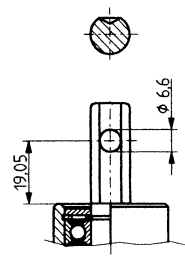
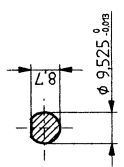
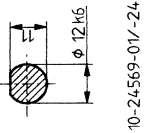
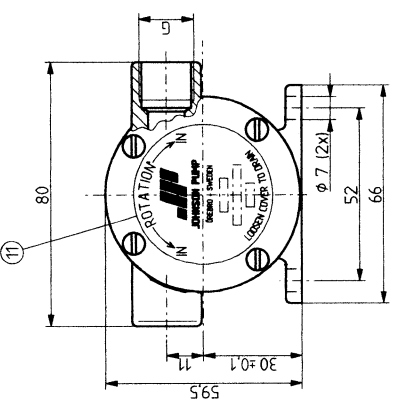
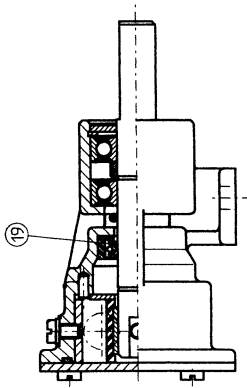


Gröddiameter	±0,012
Gröddiameter	±0,001
Gröddiameter	±0,012
Gröddiameter	±0,001



10-24569-01/-12



10-24569-13/-24

10-24569-53/-54

Series or Drawing no.	Part no. / parts list	Part type	Dimensions / label / note	Group 6	Technical notes
03-24569	F35B-8	Pump type	None on label/note	Thread G	
	10-24569-01	F35B-8		807/14p 3/8	
	10-24569-02	F35B-8P		3/8 - 8HPT	
	10-24569-03	F35B-8P2		3/8 - 8HPT	
	10-24569-04	F35B-8P3		3/8 - 8HPT	
	10-24569-05	F35B-8P4		3/8 - 8HPT	
	10-24569-06	F35B-8P5		3/8 - 8HPT	
	10-24569-07	F35B-8P6		3/8 - 8HPT	
	10-24569-08	F35B-8P7		3/8 - 8HPT	
	10-24569-09	F35B-8P8		3/8 - 8HPT	
	10-24569-10	F35B-8P9		3/8 - 8HPT	
	10-24569-11	F35B-8P10		3/8 - 8HPT	
	10-24569-12	F35B-8P11		3/8 - 8HPT	
	10-24569-13	F35B-8P12		3/8 - 8HPT	
	10-24569-14	F35B-8P13		3/8 - 8HPT	
	10-24569-15	F35B-8P14		3/8 - 8HPT	
	10-24569-16	F35B-8P15		3/8 - 8HPT	
	10-24569-17	F35B-8P16		3/8 - 8HPT	
	10-24569-18	F35B-8P17		3/8 - 8HPT	
	10-24569-19	F35B-8P18		3/8 - 8HPT	
	10-24569-20	F35B-8P19		3/8 - 8HPT	
	10-24569-21	F35B-8P20		3/8 - 8HPT	
	10-24569-22	F35B-8P21		3/8 - 8HPT	
	10-24569-23	F35B-8P22		3/8 - 8HPT	
	10-24569-24	F35B-8P23		3/8 - 8HPT	
	10-24569-51	F35B-8P24		3/8 - 8HPT	
	10-24569-52	F35B-8P25		3/8 - 8HPT	
	10-24569-53	F35B-8P26		3/8 - 8HPT	
	10-24569-54	F35B-8P27		3/8 - 8HPT	

Part list for drawing 10-24569-13

Part no.	10-24569-53/-54
Part name	Impeller
Part description	Impeller
Part drawing no.	10-24569-53/-54
Part weight	0,11
Part volume	0,0001
Part material	Brass
Part surface treatment	None
Part finish	None
Part drawing no.	10-24569-53/-54
Part drawing date	981217
Part drawing scale	1:1
Part drawing no.	10-24569-53/-54
Part drawing scale	1:1

Multipurpose

Assembly drawing No. 03-24569

F35B-8 Impeller Pump OEM / Art. No. 10-24569-01

Position	Quantity	Part No.	Description
1	1	01-35881-1	BODY F35B-8
2	1	01-46735-1	SHAFT F35/F4B-8
3	1	01-46739-2	ENDCOVER F35B NEUTRAL
4	1	08-808B	IMPELLER
5	1	01-42910	CAM 1/1 F35B-
6	1	01-45542	SPACER F35B-902
7	1	01-42400	PIN F35B-/F7B/F70B
8	1	01-46676	WEAR PLATE F35B-8 SS
9	1	01-45049	PLATE F35/F4B-8
10	1	01-45659	WASHER F4B-8/-9
11	1	01-46797	LABEL
12	1	01-46790-01	WASHER D7.5XD4X1 CU
14	4	0.0279.300	SCREW M4X8 ISO1207 A4
15	1	01-46794-03	SCREW 8-32UNCX8
16	1	0.2173.440	O-RING 42X2 NBR70
17	1	0.2173.432	O-RING 11.3X2.4 SS1586 NBR70
18	2	0.3431.748	BALL BEARING 6001 2 RS1 ST
19	1	0.2247.021	MECH.SEAL COMPL D12
20	1	0.0371.028	INT. CIRCLIP D28 DIN472 ST
21	2	0.0370.012	EXT. CIRCLIP D12 DIN471 ST
0	1	01-46027-1	LABEL DRY RUNNING (4-LANG.)
0	1	0.3444.001	CARTON NO. 1 170X135X 90
0	1	IB-501/01	INSTR.MANUAL FB-8 SERIES

Assembly Drawing No. 03-24569

F35B-8 Impeller Pump OEM / Art. No. 10-24569-13

Position	Quantity	Part No.	Description
1	1	01-35881-1	BODY F35B-8
2	1	01-46735-1	SHAFT F35/F4B-8
3	1	01-46739-2	ENDCOVER F35B NEUTRAL
4	1	08-808B	IMPELLER
5	1	01-42910	CAM 1/1 F35B-
6	1	01-45542	SPACER F35B-902
7	1	01-42400	PIN F35B-/F7B/F70B
8	1	01-46676	WEAR PLATE F35B-8 SS
9	1	01-45049	PLATE F35/F4B-8
11	1	01-46797	LABEL
12	1	01-46790-01	WASHER D7.5XD4X1 CU
14	4	0.0279.300	SCREW M4X8 ISO1207 A4
15	1	01-46794-03	SCREW 8-32UNCX8
16	1	0.2173.440	O-RING 42X2 NBR70
17	1	0.2173.432	O-RING 11.3X2.4 SS1586 NBR70
18	2	0.3431.748	BALL BEARING 6001 2 RS1 ST
19	1	0.2233.010	LIP SEAL 12X24X7 DPSM
20	1	0.0371.028	INT. CIRCLIP D28 DIN472 ST
21	1	0.0370.012	EXT. CIRCLIP D12 DIN471 ST
0	1	0.3444.001	CARTON NO. 1 170X135X 90
0	1	01-46027-1	LABEL DRY RUNNING (4-LANG.)
0	1	IB-501/01	INSTR.MANUAL FB-8 SERIES