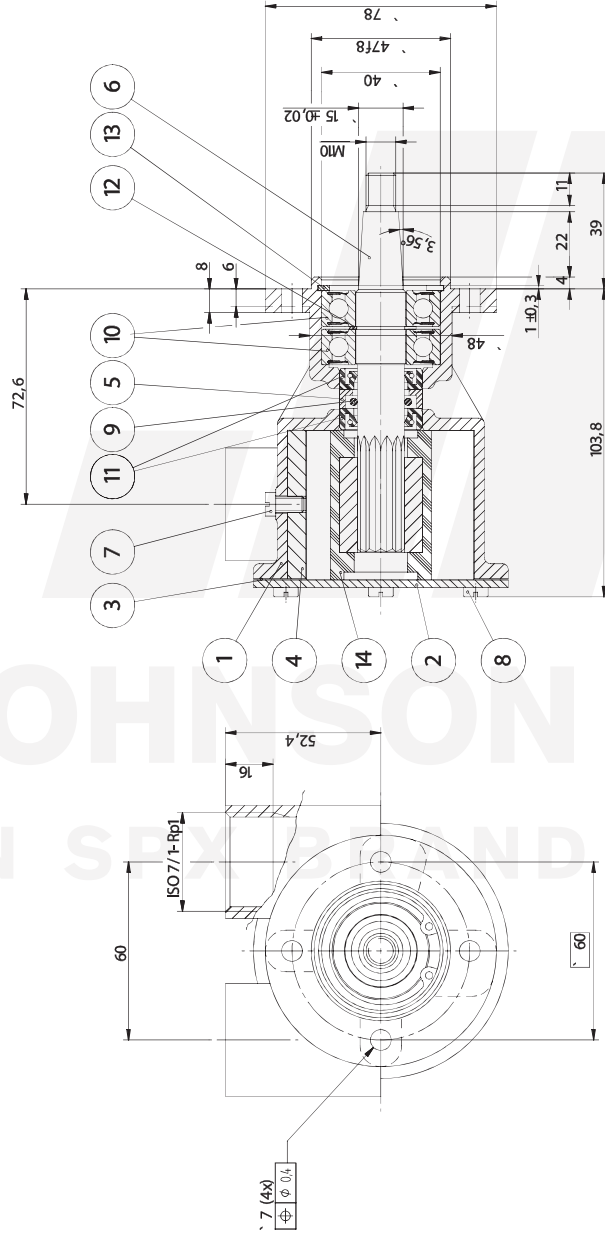


| | |
|-----------|---------------|
| Dimension | Value |
| 47 f8 | -0,025 -0,064 |



| | | | | |
|--------------------------|---------------------|-------------------------|-----------------------|--|
| Ritring nr Drawing no | Pump nr/ Pump no | styklista parts list | Pump typ Pump type | M riking p lock Mark on endcover |
| 03-24475 | 10-24475-01 | | F7B-902 | |
| | 10-24475-02 | | F7B-903 | |

Detailnr enligt stycklista
Part nos according to parts list

| | | | | |
|------|-----|----|--------|----|
| 1221 | P03 | B5 | 9606B | IG |
| 969 | P02 | | 950208 | AN |
| 903 | P01 | | 940811 | AN |
| | | | 940223 | AN |

JOHNSON PUMP
OREBRO - SWEDEN

Material: 940223
Pump type: F7B-902/903

ISO 9001
ISO 14001

03-24475

Johnson Impeller pump
F7B-902/903

P03

**F7B-902 Impeller pump
Art. No. 10-24475-01**

Service Kit No. 09-45592

| Part. No. | Description GB | Position | Quantity |
|-------------|------------------------------------|----------|----------|
| 01-24474-1 | BODY F7B-9 | 1 | 1 |
| 01-42441 | ENDCOVER F7B- | 2 | 1 |
| 01-42445 | GASKET F4B/F7B- | 3 | 1 |
| 01-42584 | CAM 1/2 F7B | 4 | 1 |
| 01-45181 | WASHER F5/F7B-9 | 5 | 1 |
| 01-46476 | SHAFT F7B-9 | 6 | 1 |
| 01-46794-06 | SCREW 12-24UNCX6.5 BRASS | 7 | 1 |
| 0.0279.033 | SCREW M5X8 ISO1207 BRASS | 8 | 6 |
| 0.2173.402 | O-RING 15.3X2.4 SS1586 NBR70 | 9 | 1 |
| 0.3431.742 | BALL BEARING 6203 2 RS1 ST | 10 | 2 |
| 0.2233.001 | LIP SEAL 16X28X7 DPSM | 11 | 2 |
| 0.0370.017 | EXT. CIRCLIP D17 DIN471 ST | 12 | 1 |
| 0.0371.040 | RETAIN. RING BORE D40 DIN472 SPRST | 13 | 1 |
| 08-1028B | IMPELLER | 14 | 1 |

**F7B-903 Impeller pump
Art. No. 10-24475-02**

Service Kit No. 09-45592

| Part. No. | Description GB | Position | Quantity |
|-------------|------------------------------------|----------|----------|
| 01-24474-1 | BODY F7B-9 | 1 | 1 |
| 01-42441 | ENDCOVER F7B- | 2 | 1 |
| 01-42445 | GASKET F4B/F7B- | 3 | 1 |
| 01-42442 | CAM 2/3 F7B/F70B | 4 | 1 |
| 01-45181 | WASHER F5/F7B-9 | 5 | 1 |
| 01-46476 | SHAFT F7B-9 | 6 | 1 |
| 01-46794-07 | SCREW 12-24UNCX8 BRASS | 7 | 1 |
| 0.0279.033 | SCREW M5X8 ISO1207 BRASS | 8 | 6 |
| 0.2173.402 | O-RING 15.3X2.4 SS1586 NBR70 | 9 | 1 |
| 0.3431.742 | BALL BEARING 6203 2 RS1 ST | 10 | 2 |
| 0.2233.001 | LIP SEAL 16X28X7 DPSM | 11 | 2 |
| 0.0370.017 | EXT. CIRCLIP D17 DIN471 ST | 12 | 1 |
| 0.0371.040 | RETAIN. RING BORE D40 DIN472 SPRST | 13 | 1 |
| 08-1028B | IMPELLER | 14 | 1 |