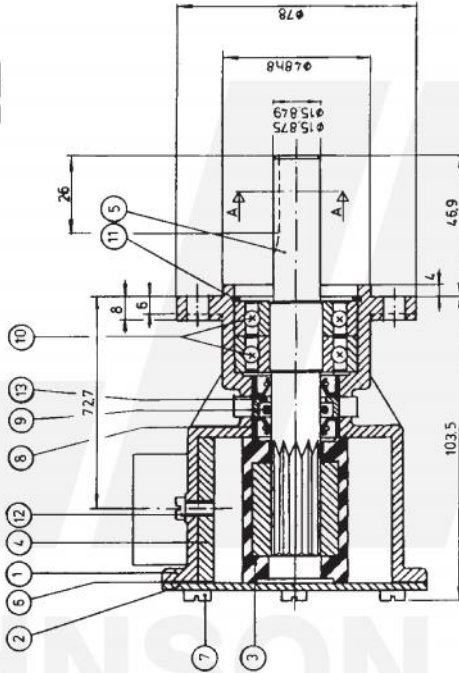
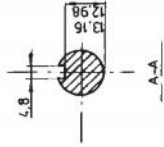


Approved for Release	Approved for Release
Approved for Release	Approved for Release



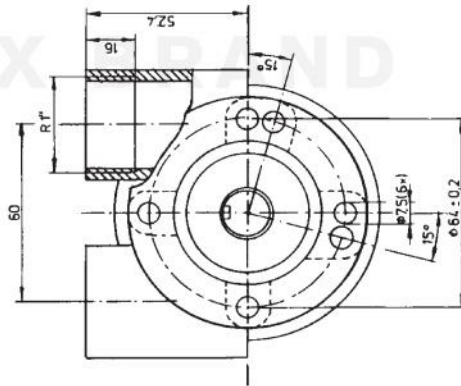
IYP. PUMP NR. TILLV. ÄR OCH VECKA
STÄMPLAS PÅ LOCKET

MONT. MÅTT = 48.6

Drawing No / Pump No / Parts list / Pump type
03-24349-01 / 10-24349-01 / F7B-9

Part nos according to Parts list

MÅTT I mm.
DIMENSIONS IN mm.



Part No.	Part Name	Material	Quantity
850222	IMPELLERPUMP	Stainless steel	1
11	Shaft	Stainless steel	1
103-24349-01	Pump housing	Cast iron	1

03-24349-01	03-24349-01	10-24349-01	10-24349-01
10-24349-01	10-24349-01	10-24349-01	10-24349-01

**F7B-9 Impeller pump
Art. No. 10-24349-01**

Service Kit No. 09-45592

Part no.	Description GB	Position	Quantity
01-24125	BODY F7B-9	1	1
01-42441	ENDCOVER F7B-	2	1
08-1028B	IMPELLER	3	1
01-42679	CAM 1/1 F7B/F70B	4	1
01-46092	SHAFT F7B-9	5	1
01-42445	GASKET F4B/F7B-	6	1
0.0279.033	SCREW M5X8 ISO1207 BRASS	7	6
0.2233.001	LIP SEAL 16X28X7 DPSM	8	2
0.2173.402	O-RING 15.3X2.4 SS1586 NBR70	9	1
0.3431.742	BALL BEARING 6203 2 RS1 ST	10	2
0.0371.040	RETAIN. RING BORE D40 DIN472 SPRST	11	1
01-46794-01	SCREW 12-24UNCX9.5 BRASS	12	1
01-45181	WASHER F5/F7B-9	13	1