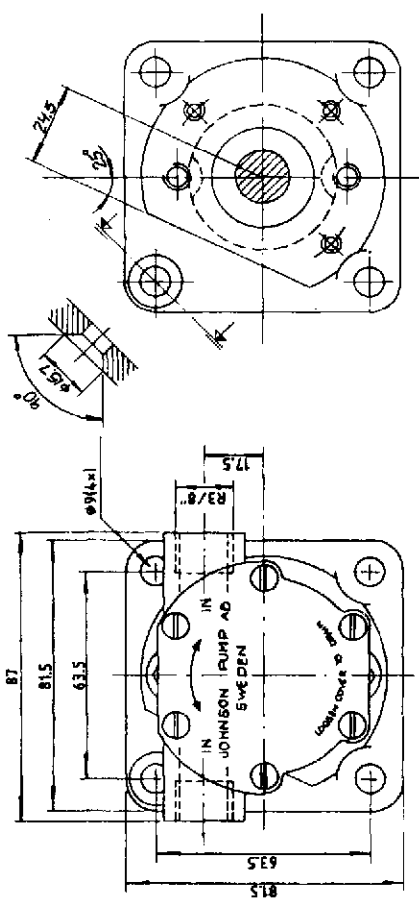
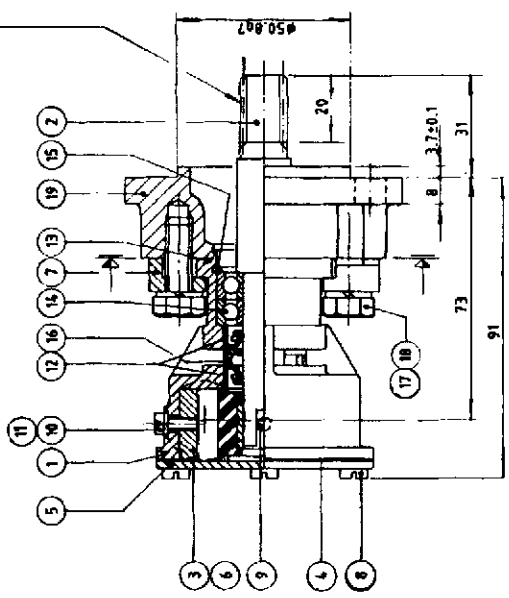


article number 10-24336 pump F4B-9

Part No.	50.807
Part Name	Flange
Material	Aluminum
Quantity	1
Unit	mm



SPLINE SPECIFICATION	
NO. OF TEETH	12
MODUL	1.0
MAJOR DIA.	16
MINOR DIA.	14
PRESSURE ANGLE	20°



PUMP NO.	PUMPTYPE	CAM NO.	THICKNESS	SCREW	WASHER NO.	PCS.
10-24336-01	F4B-9	01-423891	7.1	5.3	05-04-114	1
10-24336-02	F4B-903	01-453881	2.3	4.0	05-04-163	1
10-24336-03	F4B-902	01-450841	2	2.5	05-04-163	2

Service Kit	39-45866	
19	Mellanföret. - Adapter	01-33371
18	Bräcka - Washer	05-02-101
17	Skriv - Screw	05-04-671
16	Distansbricka - Spacer	01-45955
15	Låsring - Retaining ring	05-04-331
14	Kullager - Ballbearing	05-08-503
13	O-ring	05-01-571
12	Lappning - Lipseal	05-29-339
11	Bräcka - Washer	See table
10	Skriv - Screw	See table
9	Skriv - Screw	05-01-124
8	Skriv - Screw	05-01-163
7	KAMMA - Clamp	01-42328
6	Wäljler	01-110 8
5	Lack - Emulsion	01-45787
4	Packning - Gasket	01-25984
3	Kam - Cam	See table
2	ÅREN - Shaft	01-35291
1	Pumpkropp - Body	01-32232

JOHNSON PUMP
TYPE F4B-9

88-03-02

10-24336

P01