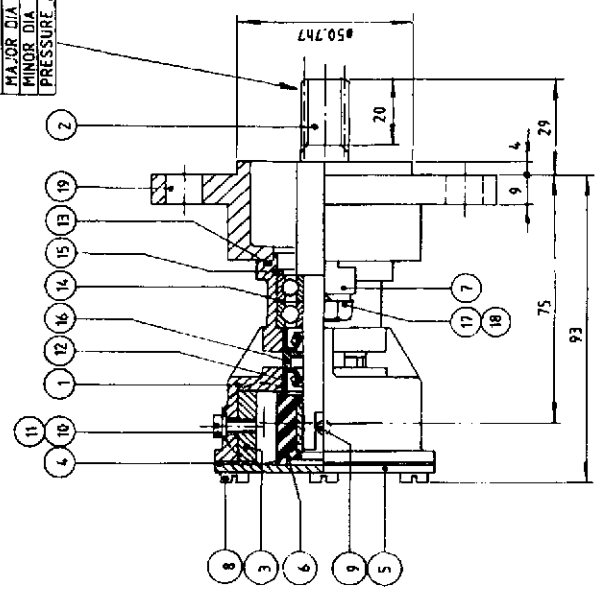
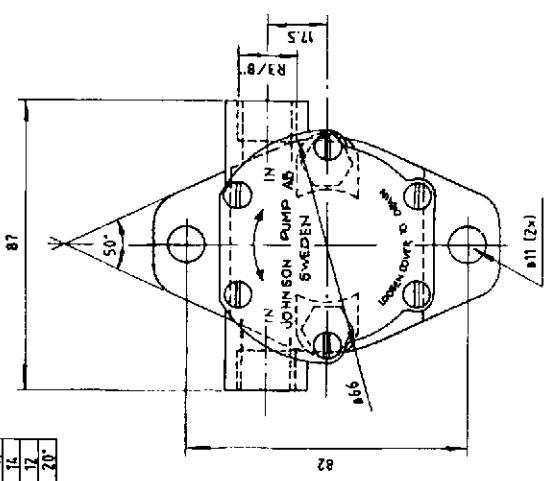


article number 10-24326 pump F4B-9

SPLINE SPECIFICATION	
NO. OF TEETH	12
MODUL	1.0
MAJOR DIA	16
MINOR DIA	14
PRESSURE ANGLE	20°



# 1 SERVICEKIT 09-55866

19	1	FLANS - FLANGE	01-35291
18	2	BRICKA - WASHER	05-02-101
17	2	SKRUV - SCREW	05-04-621
16	1	BRICKA - WASHER	01-65955
15	1	LÅSRING - RETAININGRING	05-34-131
14	2	KULLAGER - BALLBEARING	05-08-503
13	1	O-RING	05-06-571
12	2	LÅPTÄTTNING - LIPSEAL	05-29-139
11	1	BRICKA - WASHER	SEE TABLE
10	1	SKRUV - SCREW	SEE TABLE
9	1	SKRUV - SCREW	05-04-163
8	6	SKRUV - SCREW	05-04-163
7	2	KLAPPEN - CLIP	01-65238
6	1	IMPELLER	08-8108
5	1	LOCK - ENDLOCKER	01-65287
4	1	PACKNING - GASKET	01-65284
3	1	AXEL - SHAFT	SEE TABLE
2	1	PUMPHUS - BODY	01-35239

PUMP NO	PUMPTYPE	CAM NO	THICKNESS	SCREW	WASHER NO	NOS.
10-24326-01	F4B-9	01-42389	7/1 5.3	05-04-114	05-01-120	1
10-24326-02	F4B-903	01-65288	7/3 4.0			
10-24326-03	F4B-907	01-65084	7/2 2.5	05-04-163		2

**JOHNSON PUMP**  
 ENGINEERING - SWEDEN  
 S-211 22  
 08 442 10 000

JOHNSON PUMPS AB  
 Box 100  
 211 22  
 SWEDEN

JOHNSON PUMPS AB  
 10-24326  
 TYPE F4B-9

87-08-12 JT 10-24326

10-24326

10-24326