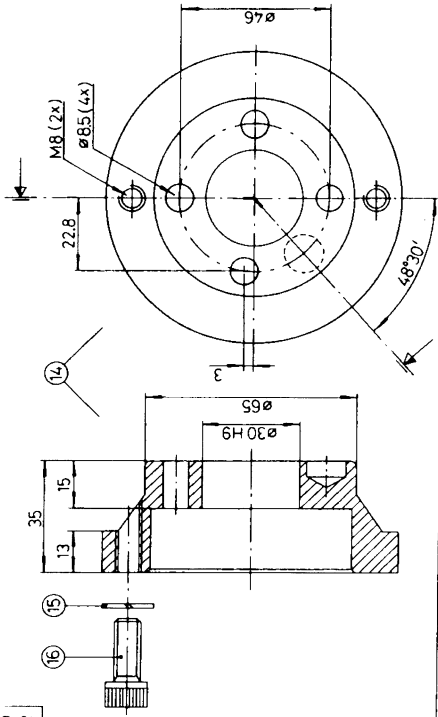
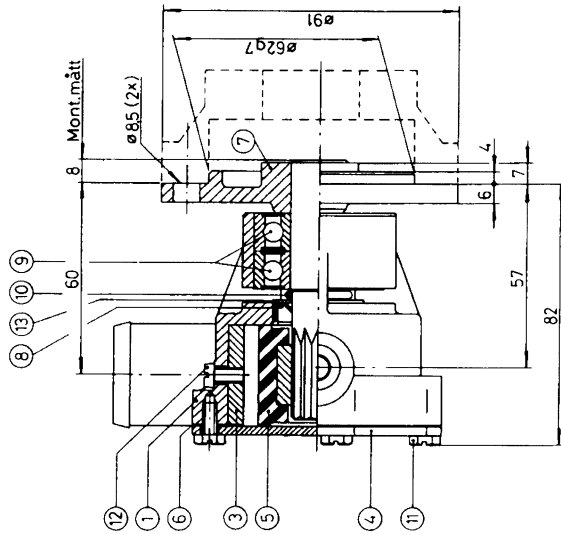


TYP PUMPNR TILLVÄR OCH VÄLKA
STAMPAS PÅ LOCKET.



Pump no.	10-24230-1/2-7/-3/-4				
	1 KARRIER KOMPLETT - MEDBRINGARE KOMPLETT	09-45806			
	* 1 SERVICE KIT	09-45808			
	17 2 SLANGRÖSNING	01-45953			
	16 2 SKRUV	SEE TABLE			
	15 2 BRICKA	SEE TABLE			
	14 1 ADAPTER	SEE TABLE			
	13* 1 BRICKA	SEE TABLE			
	12 1 SKRUV	04-45800			
	11* 2 SKRUV	09-04-550			
	10 1 O-RING	09-06-501			
	9* 2 KULLAGER	09-06-728			
	8* 1 LIPSER I	05-06-428			
	7* 1 KARRIER COMPL	05-29-515			
	6* 1 GASKET	04-46426-01			
	5* 1 IMPELLER	01-45315			
	4 1 IMPELLER	08-077B			
	3 1 LOCK	01-45312-1			
		SEE TABLE			
	1 1 PUMPHUS	01-24229-1			

951677	61
822015	01
880820	01
78317	01
870776	01
866515	01

Read the manual for the correct use of the pump.
 The pump is not a spare part.
 Spare parts must be ordered from the manufacturer.
 Read the manual for the correct use of the pump.
 The pump is not a spare part.
 Spare parts must be ordered from the manufacturer.

JOHNSON PUMP AB THE JOHNSON IMPELLER PUMP



Scale 1:1