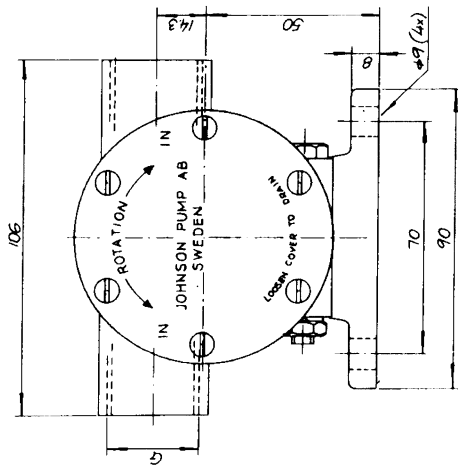
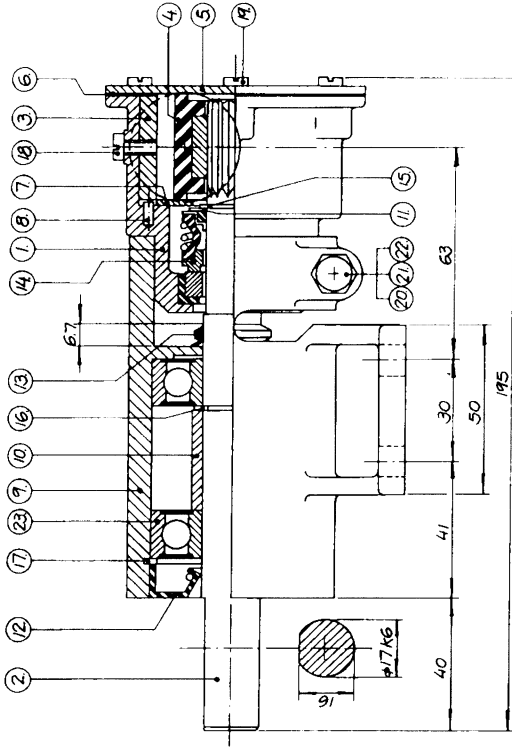


Multipurpose



Pump No. Pump Nr.	Pump type Pumptyp	Impeller Rubberavsl. Gummikval.	Impeller No. Nr.	Cam No. Nr.	Cam Thickness Tjocklek	Screw Skruv	Body Pumphus	Thread Gänga
10-24210-1	F5B-3000	Negarene	08-1027 B	01-42397	1/1 4.9	05-04-117	01-31927-2	R 3/4"
10-24210-2	F5B-3000	Nittic	08-1027 B-9	01-45014	1/2 3.1	05-04-175		
10-24210-3	F5B-3020	Negarene	08-1027 B-9	01-42397	1/1 4.9	05-04-117	01-31927-4	3/4"-14 NPTF
10-24210-4	F5B-3020	Nittic	08-1027 B-9	01-45014	1/2 3.1	05-04-175		
10-24210-5	F5B-3000T	Negarene	08-1027 B	01-42397	1/1 4.9	05-04-117		
10-24210-6	F5B-3000T	Nittic	08-1027 B-9	01-45014	1/2 3.1	05-04-175		
10-24210-7	F5B-3020T	Negarene	08-1027 B	01-42397	1/1 4.9	05-04-117		
10-24210-8	F5B-3020T	Nittic	08-1027 B-9	01-45014	1/2 3.1	05-04-175		

Part No. Del nr.	Part Name Delnamn	Material	Impulsion	Material
23	Kulager - Balls bearing			
22	Mutter - Nut			
21	Bricka - Washer			
20	Skruv - Screw			
19	Skruv - Screw			
18	Skruv - Screw			
17	Låsring - Retaining ring			
16	Låsring - Retaining ring			
15	Låsring - Retaining ring			
14	Waxbådn - Mech seal			
13	Waxring			
12	Lappbådn - Lips seal			
11	Bricka - Washer			
10	Distansstycka - Spacer			
9	Lagerbådn - Ball bearing			
8	Stift - Pin			
7	Stiftbricka - Wear plate			
6	Packning - Gasket			
5	Lock - End cover			
4	Impeller			
3	Kam - Cam			
2	Axel - Shaft			
1	Pumphus - Body			

The drawing is the property of Johnson Pump AB. It is not to be reproduced or used in any way without the written permission of Johnson Pump AB.

Johnson Pump AB
 Type F5B-3000
 Scale 1:1
 Date 85-02-25
 Drawn by J. / 4

1. Axel ändrad 86023 J.C.