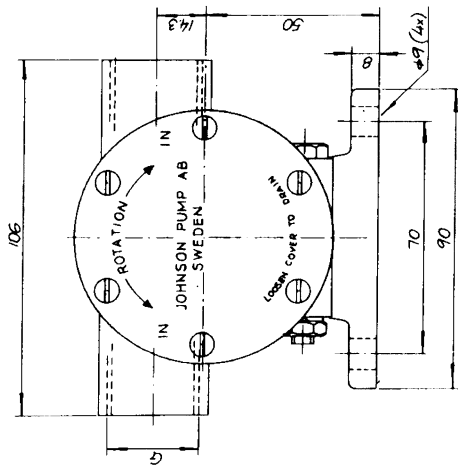
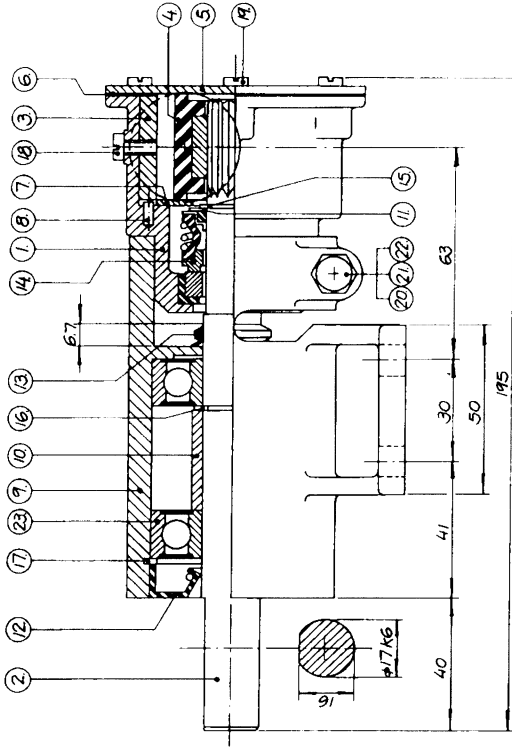


Multipurpose



| Pump No. Pump Nr. | Pump type Pumptyp | Impeller Rubberavsl. Gummikval. | Impeller No. Nr. | Cam No. Nr. | Cam Thickness Tjocklek | Screw No. Nr. | Body Pumphus | Thread Gänga |
|----------------------|----------------------|---------------------------------------|------------------------|-------------------|------------------------------|---------------------|-----------------|-----------------|
| 10-24210-1 | F5B-3000 | Negarene | 08-1027 B | 11 | 4.9 | 01-42397 | 01-31927-2 | R 3/4" |
| 10-24210-2 | F5B-3000 | Nitric | 08-1027 B-9 | 11 | 4.9 | 05-04-117 | | |
| 10-24210-3 | F5B-3020 | Negarene | 08-1027 B-9 | 11 | 3.1 | 01-45014 | | |
| 10-24210-4 | F5B-3020 | Nitric | 08-1027 B-9 | 11 | 4.9 | 05-04-175 | | |
| 10-24210-5 | F5B-3000 | Negarene | 08-1027 B-9 | 11 | 4.9 | 05-04-117 | 01-31927-4 | 3/4"-14 NPTF |
| 10-24210-6 | F5B-3000 | Nitric | 08-1027 B-9 | 11 | 4.9 | 05-04-117 | | |
| 10-24210-7 | F5B-3020 | Negarene | 08-1027 B-9 | 11 | 3.1 | 01-45014 | | |
| 10-24210-8 | F5B-3020 | Nitric | 08-1027 B-9 | 11 | 3.1 | 01-45014 | | |

| Part No. Delnr. | Part Name Benämning | Material | Impeller Material | Notes |
|--------------------|----------------------------|----------|----------------------|-----------|
| 23 | Kulager - Balls bearing | | | 05-08-22 |
| 22 | Mutter - Nut | | | 05-05-115 |
| 21 | Bricka - Washer | | | 05-01-115 |
| 20 | Skruv - Screw | | | 05-04-105 |
| 19 | Skruv - Screw | | | 05-04-115 |
| 18 | Skruv - Screw | | | See table |
| 17 | Låsring - Retaining ring | | | 05-31-17 |
| 16 | Låsring - Retaining ring | | | 05-31-21 |
| 15 | Låsring - Retaining ring | | | 05-34-105 |
| 14 | Mek. tät. - Mech seal | | | 05-20-115 |
| 13 | Valring | | | 05-19-503 |
| 12 | Lipsösk. - Lips seal | | | 05-24-503 |
| 11 | Bricka - Washer | | | 05-01-121 |
| 10 | Distansstycka - Spacer | | | 01-45170 |
| 9 | Lagerbox - Bearing housing | | | 01-24208 |
| 8 | Stift - Pin | | | 01-42400 |
| 7 | Stiftbricka - Wear plate | | | 01-42399 |
| 6 | Packning - Gasket | | | 01-42401 |
| 5 | Lock - End cover | | | 01-42398 |
| 4 | Impeller | | | See table |
| 3 | Kam - Cam | | | See table |
| 2 | Axel - Shaft | | | 01-35177 |
| 1 | Pumphus - Body | | | See table |

Johnson Pump AB
 Type F5B-3000
 Scale 1:1
 Date 85-02-25
 Drawn by: [Signature]
 Checked by: [Signature]
 Approved by: [Signature]