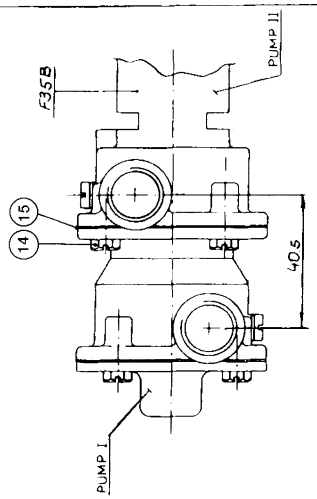
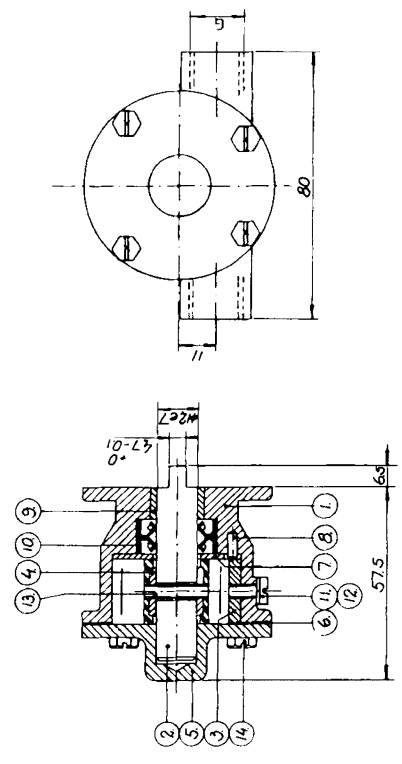


article number 10-24143 pump F35B-9

4 set screws 05-04-176 pos ⑩ each 1 st packing 01-43240 samt 1 st packing 01-45400 pos ⑥ lever set screws separate set gaskets for Pump II  
 4 pos screw pos ④ and 1+1 pcs gasket pos ⑤ will be delivered separately to be used for Pump II

PUMP I



RECOMMENDATION FOR GASKET SELECTION PUMP II

HANDLING	
PUMP II	GASKET ⑤
Seawater	01-43240 p-015
Closed Fresh-water system	01-45400 p-040 RECOMMEND

Pump no	Pump 1	Gasket ⑥	Cam ⑦	Screw ⑧	Body ①	G
10-24143-1	Seawater	01-43240 p-015	01-42416	05-04-553	01-35062-1	ISO 7/1-Rp 3/8
10-24143-2	Closed Fresh-water system	01-45400 p-040	01-42910	05-04-114	01-35062-3	3/8-18 NPTF
10-24143-3	Seawater	01-43240 p-015	01-42910	05-04-114	01-35062-3	3/8-18 NPTF
10-24143-4	Closed Fresh-water system	01-45400 p-040	01-42910	05-04-114	01-35062-3	3/8-18 NPTF
10-24143-5	Seawater	01-43240 p-015	01-42910	05-04-114	01-35062-3	3/8-18 NPTF

Part No	Part Name	Description	Material	Dimension	Draw No
15	Packing				01-45400 (for repair)
14	Gasket				01-43240 (for repair)
13	Screw				05-04-176
12	Screw				05-04-123
11	Screw				See table
10	Bracket				05-01-120
9	Washer				05-29-502
8	Washer				01-45110
7	Shaft				01-42400
6	Impeller				01-45087
5	Lock				See table
4	Impeller				01-45359
3	Cam				08-808 B
2	Shaft				See table
1	Body				01-45360

Rev	Part No	Part Name	Revision	Date	Drawn	App
1	10-24143-2	Impeller	1	8/11-03	JM	
2	10-24143-3	Impeller	1	8/11-03	JM	
3	10-24143-4	Impeller	1	8/11-03	JM	
4	10-24143-5	Impeller	1	8/11-03	JM	