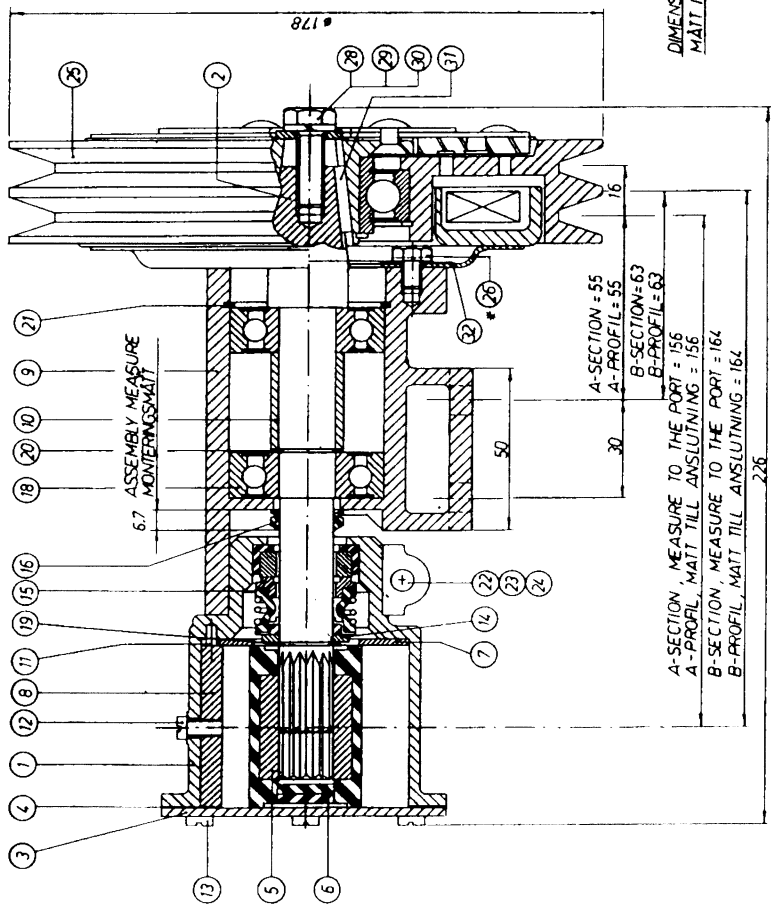
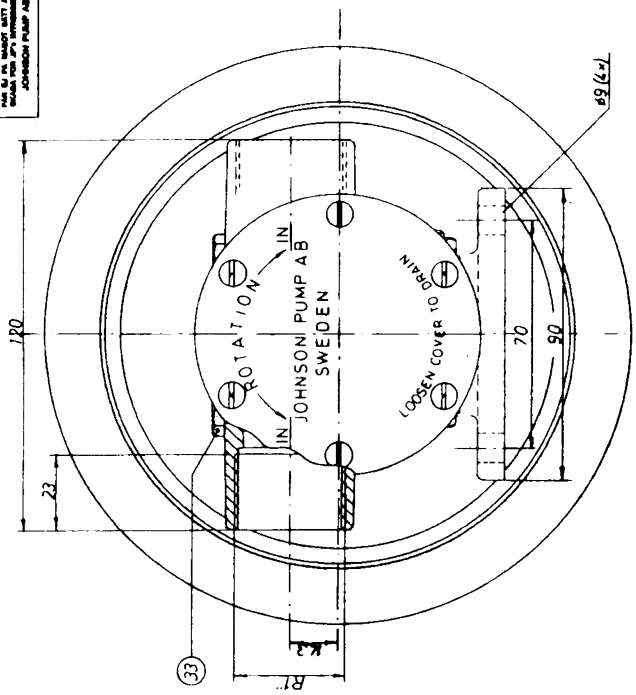


NOTA: IN ORDINE DI SPEDIRE, PRESENTARE IL MODELLO PER LA VERIFICA DELLA CORRETTA MONTAGGIATURA. PER INFORMAZIONI, RIVOLGERSI AL SERVIZIO CLIENTI. JOHNSON PUMP AB, ÖRNÄS.



DIMENSIONS IN mm
MÅTT I mm.

*DET. NO. 26 (3) TO BE LOCKED WITH
A TIGHTENING MOMENT OF 7 ± 1 Nm.
*DET. NR. 26 (3) LÅSES MED 7 ± 1
ÅDRAGNINGSMOMENT, 7 ± 1 Nm.

Part no.	Part name	Quantity	Material	Remarks
P 671	Pos 30 nr 05-01-127	2	3030x06	DR
P 672	115 vridmoment tillik			
P 673	115 vridmoment tillik			
P 674	115 vridmoment tillik			
P 675	115 vridmoment tillik			
P 676	115 vridmoment tillik			
P 677	115 vridmoment tillik			
P 678	115 vridmoment tillik			
P 679	115 vridmoment tillik			
P 680	115 vridmoment tillik			
P 681	115 vridmoment tillik			
P 682	115 vridmoment tillik			
P 683	115 vridmoment tillik			
P 684	115 vridmoment tillik			
P 685	115 vridmoment tillik			
P 686	115 vridmoment tillik			
P 687	115 vridmoment tillik			
P 688	115 vridmoment tillik			
P 689	115 vridmoment tillik			
P 690	115 vridmoment tillik			
P 691	115 vridmoment tillik			
P 692	115 vridmoment tillik			
P 693	115 vridmoment tillik			
P 694	115 vridmoment tillik			
P 695	115 vridmoment tillik			
P 696	115 vridmoment tillik			
P 697	115 vridmoment tillik			
P 698	115 vridmoment tillik			
P 699	115 vridmoment tillik			
P 700	115 vridmoment tillik			

No.	Qty.	Description	Material	Quantity	Remarks
31	1	Key	Käll	4x4x20	05-03-121
30	1	Washer	Bricka		05-01-559
29	1	Washer	Bricka	5/16"	05-02-101
28	1	Screw	Skruv	M8x25	05-04-150
27	3	Screw	Skruv	M8x10	05-04-158
26	1	El. Mag. Clutch	El. Friktionskoppling		See drawing 02-35173
25	1	Nut	Mutter	1/4"-2 UNC	05-05-115
24	1	Washer	Bricka	06.5	05-01-115
23	1	Washer	Bricka	1/4"-2 UNC X 5/8	05-04-105
22	1	Retaining ring	Låstring	SpA 17	05-34-21
21	1	Retaining ring	Låstring	SpA 16	05-34-105
20	1	Retaining ring	Låstring	6303-2RS	05-08-225
19	1	Ball bearing	Kullager		05-19-503
18	2	V-ring	Mek. tätning		05-20-115
17	1	Mech. seal	Bricka	Nr 10-32 UNF x 8	05-04-117
16	1	Washer	Skruv		See drawing 02-35173
15	1	Screw	Skruv		01-45170
14	1	Pin	Stift		01-45170
13	1	Spacer	Distanshyisa		01-24098
12	1	Pedestal	Lagerfot		See drawing 02-35173
11	1	Cam	Kam		01-42443
10	1	Wear plate	Slitbricka		01-42446
9	1	Rubber wash	Gumbricka		02-35173
8	2	Impeller	Impeller		01-42445
7	1	Gasket	Lock		01-42441
6	1	End cover	Åxel		01-35084
5	1	Body	Pumphus		02-35173
4	1	Shaft	Åxel		See drawing 02-35173
3	1	Impeller	Impeller		
2	1	End cover	Åxel		
1	1	Body	Pumphus		

PUMPTYP OCH PUMP NR.
STAMPPLAS PÅ LOCKET.

JOHNSON IMPPELLERPUMP
10-24116 . TYP F7B-5000
Scale: 1:1
Fig. nr. 10-24116/197