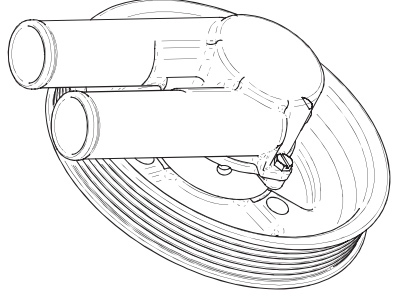
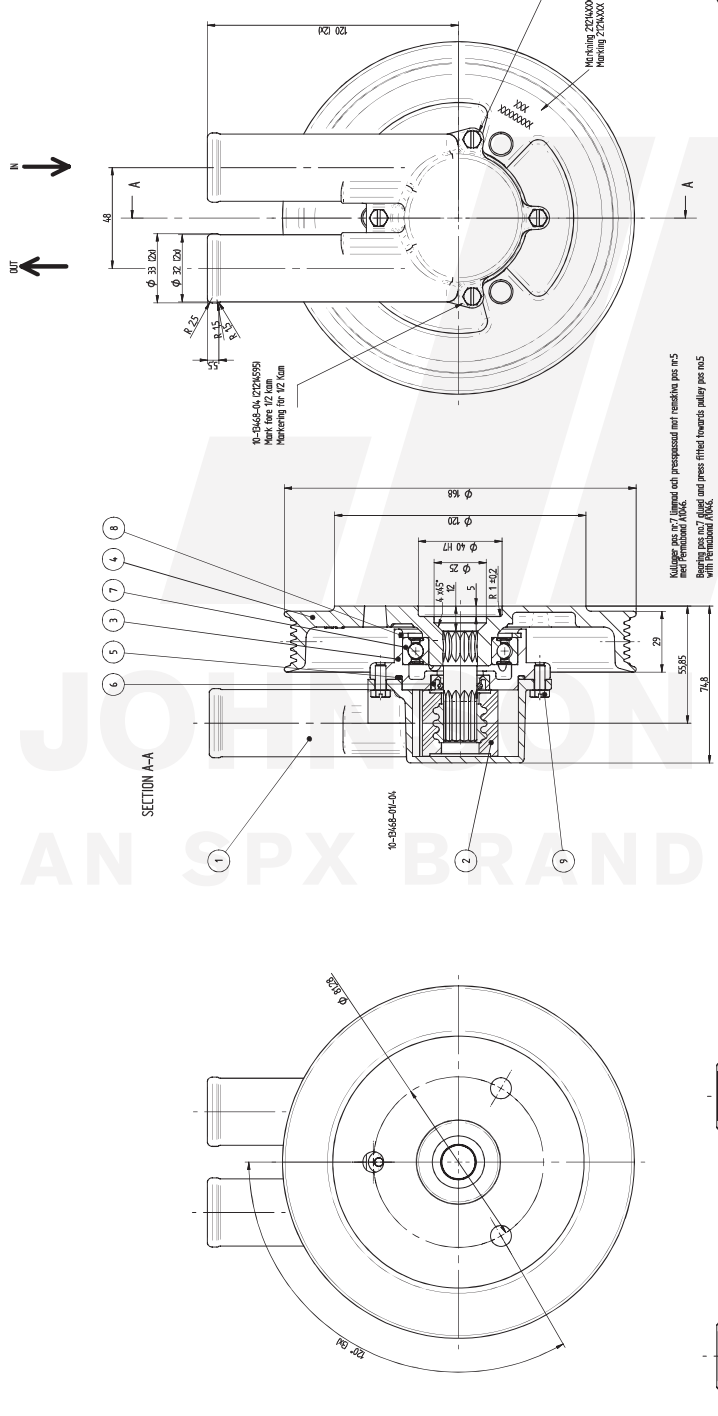


Customer Branded





Ring nr	Pump nr / Synchrotha Pump parts list	Sealing nr / Sealing	Sealing nr / Sealing
09-B468	10-B468-01	VALU PERVA - 220X55K - wetted housing 220X100K - wetted code	VALU PERVA - 220X55K - wetted housing 220X100K - wetted code
	10-B468-03	VALU PERVA - 220X55K - wetted housing 220X100K - wetted code	VALU PERVA - 220X55K - wetted housing 220X100K - wetted code
	10-B468-04	VALU PERVA - 220X55K - wetted housing 220X100K - wetted code	VALU PERVA - 220X55K - wetted housing 220X100K - wetted code

Material: see nr 7. Aligned with preprocessed and remanufactured parts in 5. Sealing: see nr 7. Filled and press fitted towards safety per nr 5. With Remanufactured ALNOC.

Detailnr enligt synchrotha. Part nr according to parts list.

VALU PERVA - 220X55K - wetted housing 220X100K - wetted code

VALU PERVA - 220X55K - wetted housing 220X100K - wetted code

VALU PERVA - 220X55K - wetted housing 220X100K - wetted code

VALU PERVA - 220X55K - wetted housing 220X100K - wetted code

The product, i.e. concept, design and construction, is the property of SPX Johnson Pump Marine AB

Engine Cooling, high speed pumps

295

**F5B-9 Impeller pump
Art. No. 10-13468-01**

Part no.	Description GB	Position	Quantity
01-24665-1	PUMPBODY F5B-9 (VPoA)	1	1
08-1027B-110	IMPELLER VP21213650	2	1
01-35985	BEARING HOUSING F5B-9 (VPoA)	3	1
01-13222-1	PULLEY F5B-9 (VPoA)	4	1
0.2173.476	O-RING 54.6X2.4 NBR70	5	1
0.2233.001	LIP SEAL 16X28X7 DPSM	6	1
0.3431.753	BALL BEARING 6006 2RS1/VT90 ST	7	1
0.0371.058	RETAIN. RING BORE D55 DIN 472 SPRST	8	1
0.0141.501	SCREW M5X12 ISO4017 BRASS	9	4