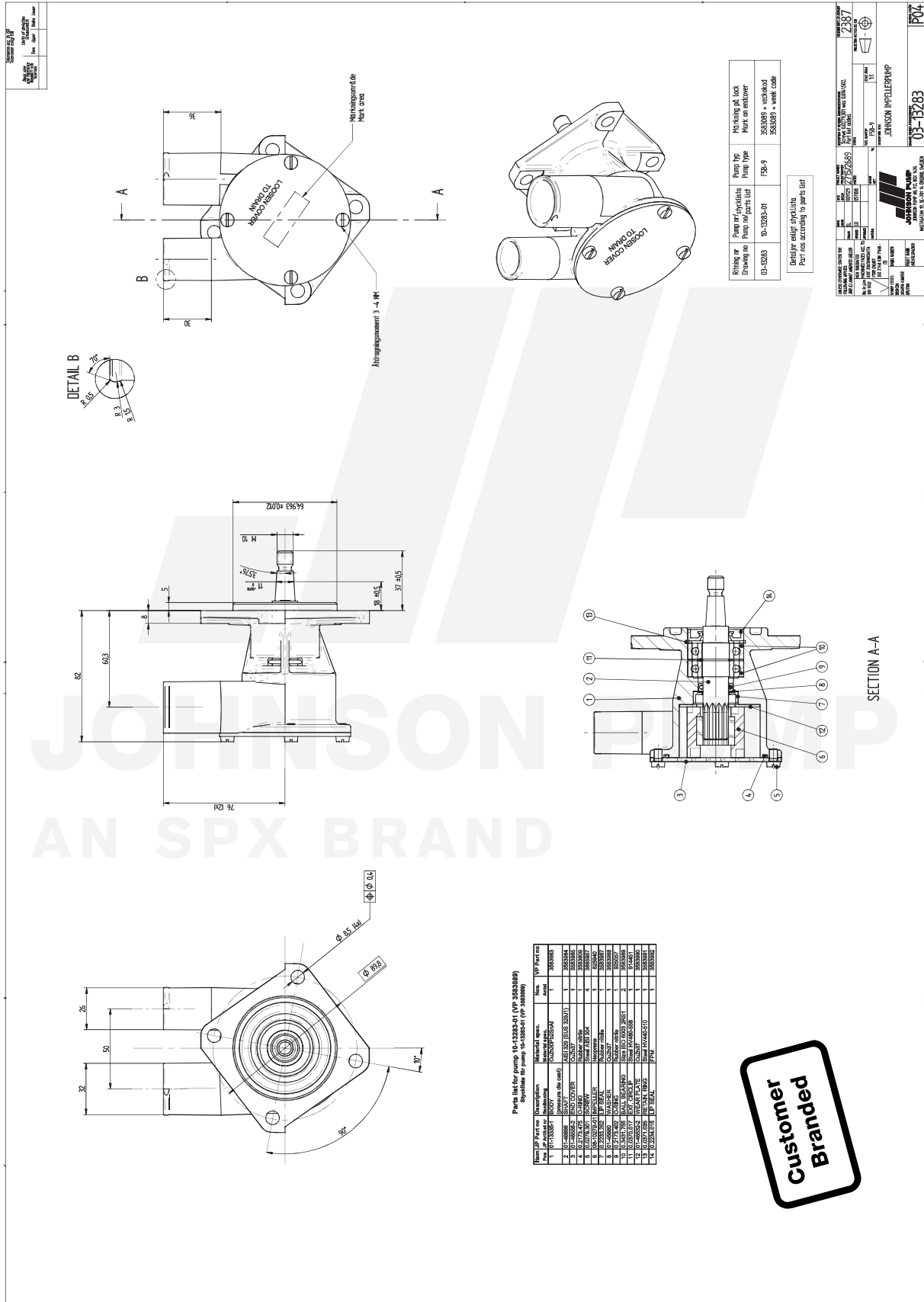


10-13283

pump F5B-9



Part No.	03-13283-01
Part Name	Pump housing
Part Type	Cast part
Part Material	Aluminum
Part Weight	0.5000
Part Volume	0.0000
Part Density	2.70
Part Finish	Anodized
Part Lead Time	1 Week
Part Stock	In Stock
Part Location	Warehouse
Part Status	Active
Part Revision	1.0
Part Date	2018-01-01
Part Drawn By	J. Smith
Part Checked By	M. Jones
Part Approved By	K. White
Part Release Date	2018-01-01
Part Release Location	USA
Part Release Authority	Engineering
Part Release Reason	New Design
Part Release Comments	Final Release
Part Release Date	2018-01-01
Part Release Location	USA
Part Release Authority	Engineering
Part Release Reason	New Design
Part Release Comments	Final Release

Part nos according to parts list

Part No.	03-13283-01
Part Name	Pump housing
Part Type	Cast part
Part Material	Aluminum
Part Weight	0.5000
Part Volume	0.0000
Part Density	2.70
Part Finish	Anodized
Part Lead Time	1 Week
Part Stock	In Stock
Part Location	Warehouse
Part Status	Active
Part Revision	1.0
Part Date	2018-01-01
Part Drawn By	J. Smith
Part Checked By	M. Jones
Part Approved By	K. White
Part Release Date	2018-01-01
Part Release Location	USA
Part Release Authority	Engineering
Part Release Reason	New Design
Part Release Comments	Final Release



Parts list for pump (10-13283-01) (10-13283-01) (10-13283-01) (10-13283-01)

Part No.	Part Name	Part Type	Part Material	Part Weight	Part Volume	Part Density	Part Finish	Part Lead Time	Part Stock	Part Location	Part Status	Part Revision	Part Date	Part Drawn By	Part Checked By	Part Approved By	Part Release Date	Part Release Location	Part Release Authority	Part Release Reason	Part Release Comments
1	03-13283-01	Pump housing	Aluminum	0.5000	0.0000	2.70	Anodized	1 Week	In Stock	Warehouse	Active	1.0	2018-01-01	J. Smith	M. Jones	K. White	2018-01-01	USA	Engineering	New Design	Final Release
2	03-13283-02	Impeller	Aluminum	0.1000	0.0000	2.70	Anodized	1 Week	In Stock	Warehouse	Active	1.0	2018-01-01	J. Smith	M. Jones	K. White	2018-01-01	USA	Engineering	New Design	Final Release
3	03-13283-03	Shaft	Steel	0.0500	0.0000	7.85	Polished	1 Week	In Stock	Warehouse	Active	1.0	2018-01-01	J. Smith	M. Jones	K. White	2018-01-01	USA	Engineering	New Design	Final Release
4	03-13283-04	Impeller nut	Aluminum	0.0200	0.0000	2.70	Anodized	1 Week	In Stock	Warehouse	Active	1.0	2018-01-01	J. Smith	M. Jones	K. White	2018-01-01	USA	Engineering	New Design	Final Release
5	03-13283-05	Impeller pin	Aluminum	0.0100	0.0000	2.70	Anodized	1 Week	In Stock	Warehouse	Active	1.0	2018-01-01	J. Smith	M. Jones	K. White	2018-01-01	USA	Engineering	New Design	Final Release
6	03-13283-06	Impeller pin	Aluminum	0.0100	0.0000	2.70	Anodized	1 Week	In Stock	Warehouse	Active	1.0	2018-01-01	J. Smith	M. Jones	K. White	2018-01-01	USA	Engineering	New Design	Final Release
7	03-13283-07	Impeller pin	Aluminum	0.0100	0.0000	2.70	Anodized	1 Week	In Stock	Warehouse	Active	1.0	2018-01-01	J. Smith	M. Jones	K. White	2018-01-01	USA	Engineering	New Design	Final Release
8	03-13283-08	Impeller pin	Aluminum	0.0100	0.0000	2.70	Anodized	1 Week	In Stock	Warehouse	Active	1.0	2018-01-01	J. Smith	M. Jones	K. White	2018-01-01	USA	Engineering	New Design	Final Release
9	03-13283-09	Impeller pin	Aluminum	0.0100	0.0000	2.70	Anodized	1 Week	In Stock	Warehouse	Active	1.0	2018-01-01	J. Smith	M. Jones	K. White	2018-01-01	USA	Engineering	New Design	Final Release
10	03-13283-10	Impeller pin	Aluminum	0.0100	0.0000	2.70	Anodized	1 Week	In Stock	Warehouse	Active	1.0	2018-01-01	J. Smith	M. Jones	K. White	2018-01-01	USA	Engineering	New Design	Final Release
11	03-13283-11	Impeller pin	Aluminum	0.0100	0.0000	2.70	Anodized	1 Week	In Stock	Warehouse	Active	1.0	2018-01-01	J. Smith	M. Jones	K. White	2018-01-01	USA	Engineering	New Design	Final Release
12	03-13283-12	Impeller pin	Aluminum	0.0100	0.0000	2.70	Anodized	1 Week	In Stock	Warehouse	Active	1.0	2018-01-01	J. Smith	M. Jones	K. White	2018-01-01	USA	Engineering	New Design	Final Release
13	03-13283-13	Impeller pin	Aluminum	0.0100	0.0000	2.70	Anodized	1 Week	In Stock	Warehouse	Active	1.0	2018-01-01	J. Smith	M. Jones	K. White	2018-01-01	USA	Engineering	New Design	Final Release
14	03-13283-14	Impeller pin	Aluminum	0.0100	0.0000	2.70	Anodized	1 Week	In Stock	Warehouse	Active	1.0	2018-01-01	J. Smith	M. Jones	K. White	2018-01-01	USA	Engineering	New Design	Final Release