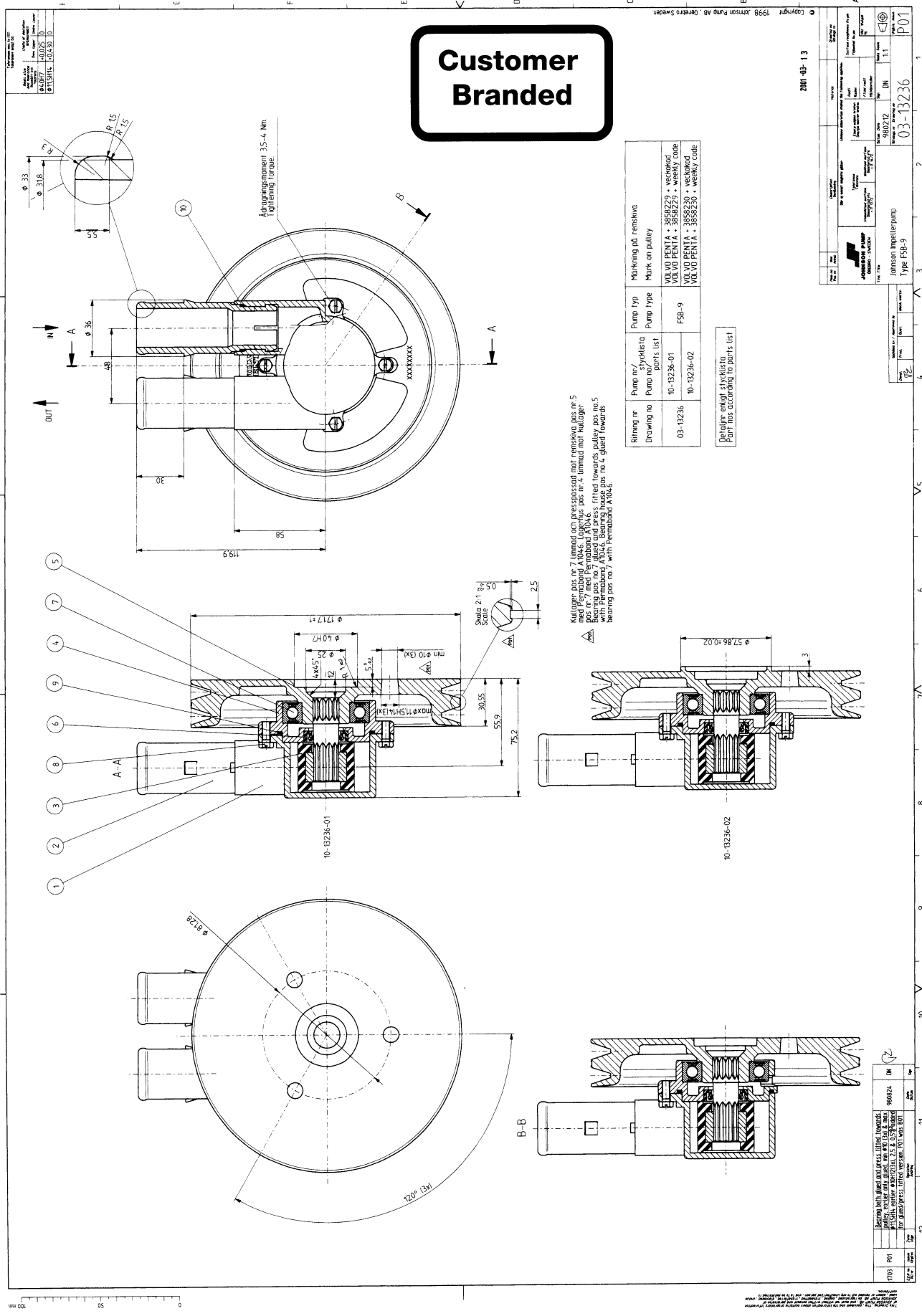


**Customer Branded**



Ritning nr	Pump nr / Pump no	stykke lista parts list	Pump typ Pump type	Markering på remskiva Mark on pulley
03-13236	10-13236-01		F5B-9	VOLVO PENTA • 3856229 • veckokod
	10-13236-02			VOLVO PENTA • 3856229 • veckokod

Beaktelse enligt styckelista  
Part nos according to parts list

Kullager pos nr 7 lömsad och presspassad mot remskiva pos nr 5  
Bearing pos no 7 fitted and press fitted towards pulley pos no 5  
Bearing pos no 7 lömsad och press passad mot remskiva pos nr 5  
Bearing pos no 7 fitted and press fitted towards pulley pos no 5

2801-03-13

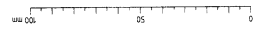
980712 DN 1:1

03-13236

Johnson Pump AB  
S-281 82, Sweden

Johnson Pump AB  
S-281 82, Sweden

Johnson Pump AB  
S-281 82, Sweden



**Assembly Drawing No 03-13236**

F5B-9 Impeller Pump OEM / Art. No. 10-13236-02

Position	Quantity	Part. No.	Description
8	4	0.0141.501	SCREW M5X12 (05-04-660)
10	2	0.2172.016	O-RING D26.7X1.78 (05-06-613)
9	1	0.2173.476	O-RING D54.6 X 2,4 (05-06-597)
6	1	0.2233.001	LIP SEAL 16X28X7 (05-29-105)
7	1	0.3431.753	BALL BEARING (05-08-517)
5	1	01-13235-2	REMSKIVA F5B-9 (VPoA)
1	1	01-24553	PUMPHUS F5B-9 (VPoA)
2	2	01-35856	SLANGANSLUTNING F5B-9 (VPoA)
4	1	01-35859	LAGERHUS F5B-9 (VPoA)
3	1	08-1027B-01	IMPELLER VP825940

**Assembly Drawing No. 03-13236**

F5B-9 Impeller Pump OEM / Art. No.10-13236-01

Position	Quantity	Part No.	Description
1	1	01-24553	PUMPBODY F5B-9 (VPoA)
2	2	01-35856	HOSE CONNECTION F5B-9 (VPoA)
3	1	08-1027B-01	IMPELLER VP825940
4	1	01-35859	BEARING HOUSING F5B-9 (VPoA)
5	1	01-13235-1	PULLEY F5B-9 (VPoA)
6	1	0.2233.001	LIP SEAL 16X28X7 DPSM
7	1	0.3431.753	BALL BEARING 6006.2RS1/VT90 ST
8	4	0.0141.501	SCREW M5X12 ISO4017 BRASS
9	1	0.2173.476	O-RING 59.6X2.4 SS1586 NBR70
10	2	0.2172.016	O-RING 26.7X1.78 BS1806 NBR70