

REV	DESCRIPTION	ECO. NO.	BY	DATE	APP	DATE
1	PART NOS CHANGED AS BOM	14154	J H R	5/9/06		
U	WASHER & DRIVE SHAFT BEZEL	000422	J H R	11/01/07		
V	MECH SEAL REGRAM	000186	HC	29/02/08		
W	REVISED DRAWING NOTE ITEM 2	000210	SC	29/02/08		

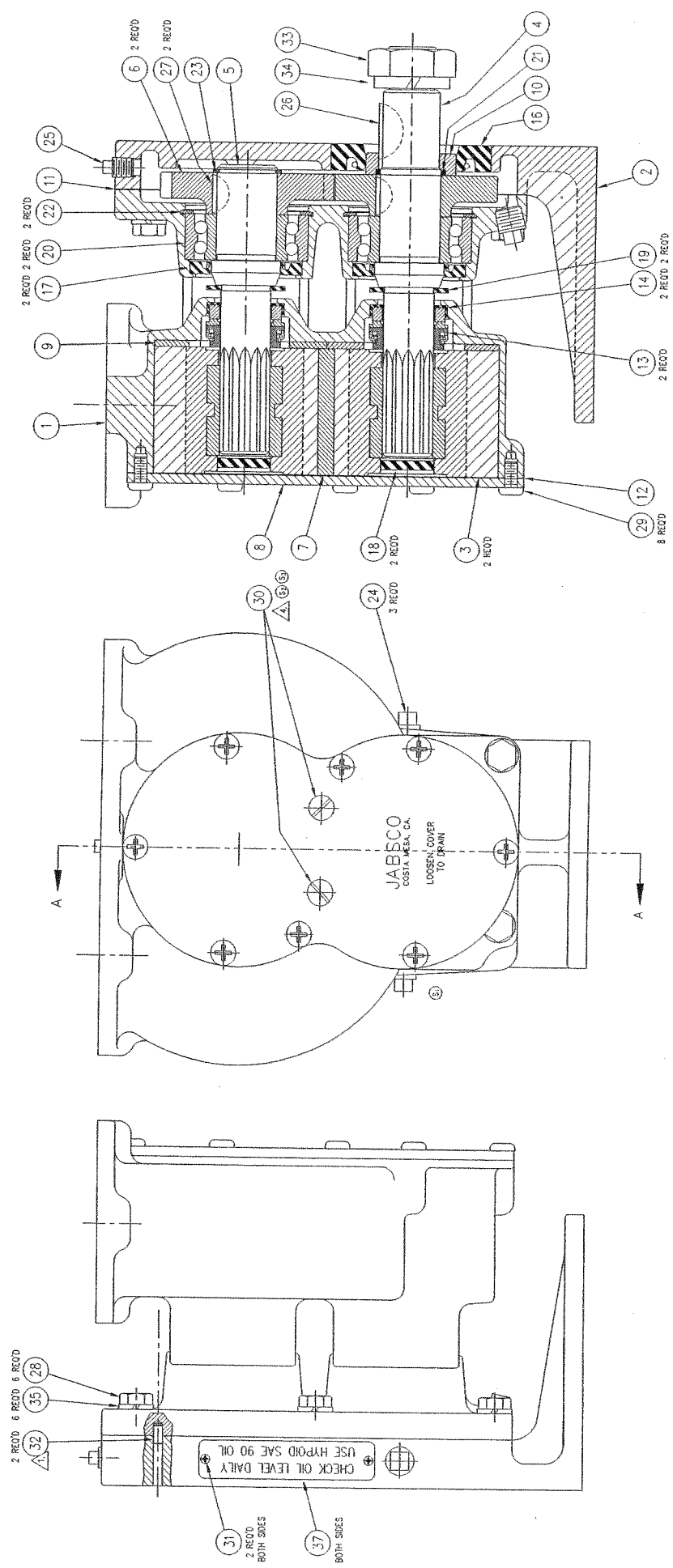
**TORQUE REQUIREMENTS**

ITEM	TORQUE REQUIRED
28	15-18 FT/LBS
29	15-20 IN/LBS
30	35-50 IN/LBS

ITEM	PART NO.	DESCRIPTION	QTY
27	SP1402-01	KEY, #1 WOODRUFF	2
28	81091-0092	SCREW HEX HD 3/8"-16 x 1.5	6
29	81095-0070	SCREW PAN HD 1/4"-20 x .50	8
30	81037-0020	SCREW FLAT HD 1/4"-20 x .50	2
31	81025-0020	SCREW DRIVE RD HD	4
32	2575-0000	WASHER 1/4"	2
33	81085-0100	WASHER 3/8"	1
34	81012-0020	WASHER 3/8" LOCK	1
35	SP1802-08	WASHER, SPILL LOCK	6
36	16162-0001	LABEL	2
37	16162-0001	LABEL	2

ITEM	PART NO.	DESCRIPTION	QTY
14	10162-0000	SEAL SEAL/CUP RUBBER ASSY	2
15	92700-6740	SEAL LIP	1
16	SP7700-50	SEAL BEARING	2
17	4348-0001	SEAL SPLINE	2
18	3181-0000	SLINGER	2
19	SP2600-04	BALL BEARING	2
20	82000-6210	O-RING	1
21	SP7000-246	RETAINING RING, INTERNAL	2
22	81703-1180	RETAINING RING, EXTERNAL	1
23	92650-0070	PLUS	3
24	11825-0000	PLUS	1
25	91490-6080	KEY, #16 WOODRUFF	1

ITEM	PART NO.	DESCRIPTION	QTY
1	7474-0000	BODY	1
2	8154-0000	CASE FOOT MOUNT GEAR	1
3	17935-0011	IMPELLER	2
4	8157-6000	SHAFT	1
5	6467-6000	GEAR	2
6	6468-0000	GEAR	2
7	7486-6010	CAM COVER	1
8	12073-6000	END COVER	1
9	7478-6000	WEAR PLATE	2
10	904-0000	SLEEVE	1
11	7488-6000	GASKET	1
12	7478-6000	GASKET	1
13	SP9080-0374	SEAL, MECHANICAL	2



SECTION A-A

ITT Industries  
 JABSCO COSTA MESA, CA  
 FLOJET FOODLINE PANDA C

PUMP 2 1/2 DUAL

REV 1  
 COMPUTER FILE NO 8150-0211  
 SCALE 1:1 Top view shown DRAWING SHEET 2 OF 2 W