

**JABSCO**<sup>®</sup>**Models 6360-1001  
6370-1001  
6380-1001**

Models 6360-1001, 6370-1001, 6380-1001

**SELF-PRIMING PUMPS  
FEATURES**

- Motor:** Permanent magnet type, fully enclosed, stainless steel shaft. Fuse and fuseholder included.
- Dimensions:** 3" (76mm) High, 6-3/8" (162 mm) Long, 4-3/4" (120mm) Wide
- Weight:** 4-1/2 lbs (2kg) (approx.)
- Body:** Bronze
- Impeller:** Jabsco Neoprene compound
- Seal:** Lip type
- Ports:** 1/2" Internal Pipe Threads  
1" External Hose Barb  
Adaptor for 3/4" External Garden Hose Thread

Motor meets USCG Electrical Standards (Title 33, Chapter I, Part 183; Subpart I) for IGNITION PROTECTION on gasoline powered vessels.

**APPLICATION**

**WARNING: DO NOT PUMP SOLVENTS, THINNERS OR GASOLINE AS EXPLOSION MAY RESULT CAUSING PERSONAL INJURY OR DEATH.**

**WARNING: DO NOT OPERATE WITH RIVETS REMOVED FROM MOTOR CASE. EXPLOSION RESULTING IN PERSONAL INJURY, DEATH OR PROPERTY DAMAGE MAY OCCUR. CASE OPENINGS MUST BE SEALED TO AVOID EXPLOSION AND MAINTAIN IGNITION PROTECTED RATING.**

Use for bilge pumping, live well circulation, wash down and general pumping requirements. If bilge water contains significant amount of oil, the standard impeller should be replaced with impeller No. 6303-0003, which is an oil-resistant nitrile material.

With a wet impeller, pump will produce a suction lift of about 4 feet (1,2m) and a lift to 20 feet (6m) when primed. BE SURE SUCTION LINES ARE AIRTIGHT.

**INSTALLATION**

The pump must be mounted in a dry location – the motor is not waterproof and must not be submerged. **SELECTION OF A COOL, VENTILATED** location will generally extend pump motor life. The unit can be mounted in any desired position. It is best to mount so that water dripping from loose port connection will not wet the motor. The pump head may be rotated 180 degrees on the motor to change direction of flow.

**MODELS AVAILABLE**

MODELS	VOLTAGE DC	AMP DRAW	FUSE SIZE
6360-1001	12	6.8	7 Slow Blow
6370-1001	24	3.8	4 Slow Blow
6380-1001	32	2.5	3 Slow Blow

**OPERATION**

Flexible impeller pumps must *NOT* be run dry, as the pumped liquid is the lubricant for the impeller. Observe the outlet and shut off pump as soon as liquid stops flowing. An automatic level switch is convenient to control the pump.

The pump cannot run against a closed outlet such as encountered when using a garden hose type shut-off nozzle.

Pressure for normal operation should not exceed 20 feet of head (8.7 psi).

Temperature of pumped liquid may be in the range of 45° - 180°F (7° - 82°C).

**CAUTION: Motor runs hot; about 180° is a normal temperature. Prolonged contact during operation may cause a burn.**

## PLUMBING CONNECTIONS

Pump ports have external 1" hose barb and internal 1/2" pipe threads. Also provided are two male port adaptors to allow the attachment of 3/4" female garden hose fittings. Use hose that does not kink when bent and with sufficient wall thickness to prevent collapse when used on suction side of pump. Hoses should be routed so that some water will be retained in pump body to wet the impeller. Wetting the impeller aids in priming and extends impeller life. Use a strainer on the intake hose to stop trash and solids from going through the pump. All hoses must have air tight connections to enable faster priming.

## ELECTRICAL CONNECTIONS

**WARNING: IF PUMP IS OPERATED IN AN AREA CONTAINING FLAMMABLE VAPORS, WIRE LEADS MUST BE JOINED BY INSULATED MECHANICAL LOCKING CONNECTORS. LOOSE OR INADEQUATE WIRE CONNECTIONS CAN SPARK RESULTING IN AN EXPLOSION. PROPERTY DAMAGE, INJURY OR DEATH MAY OCCUR.**

Connect black wire to negative (-) terminal of battery. The orange wire with the fuse holder should run to an overload protected switch or circuit breaker, with a wire from switch or breaker to positive (+) terminal of battery. Electrical circuit must be independent of all other accessories. Failure to connect black wire to negative and orange wire to positive will result in backwards motor rotation and possible motor and pump damage. Correct motor rotation is clockwise looking at shaft end of motor. Use proper wire size as determined by wire table elsewhere on this sheet. The proper fuse has been included in the fuse holder. Should this fuse blow, replace with the same size fuse after determining reason for blown fuse.

**NOTICE:** No warranty consideration will be given to pumps that are returned without the properly sized fuse and fuse holder supplied with the pump.

## HEAD-FLOW CHART

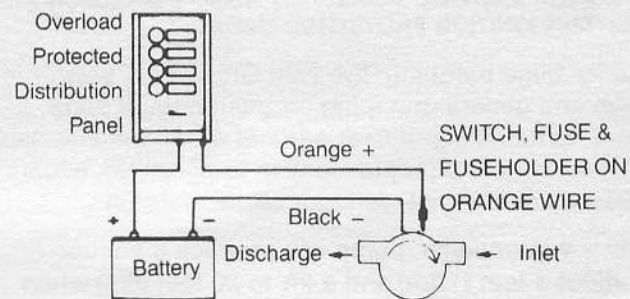
P.S.I.	TOTAL HEAD		CAPACITY	
	FEET	METRES	GPM	ℓ/MIN
2.1	5	1,5	6.3	23,8
4.3	10	3,0	5.4	20,4
6.5	15	4,6	4.2	15,9
8.7	20	6,1	2.8	10,6

Table shows approximate Head-Flow for new pump.

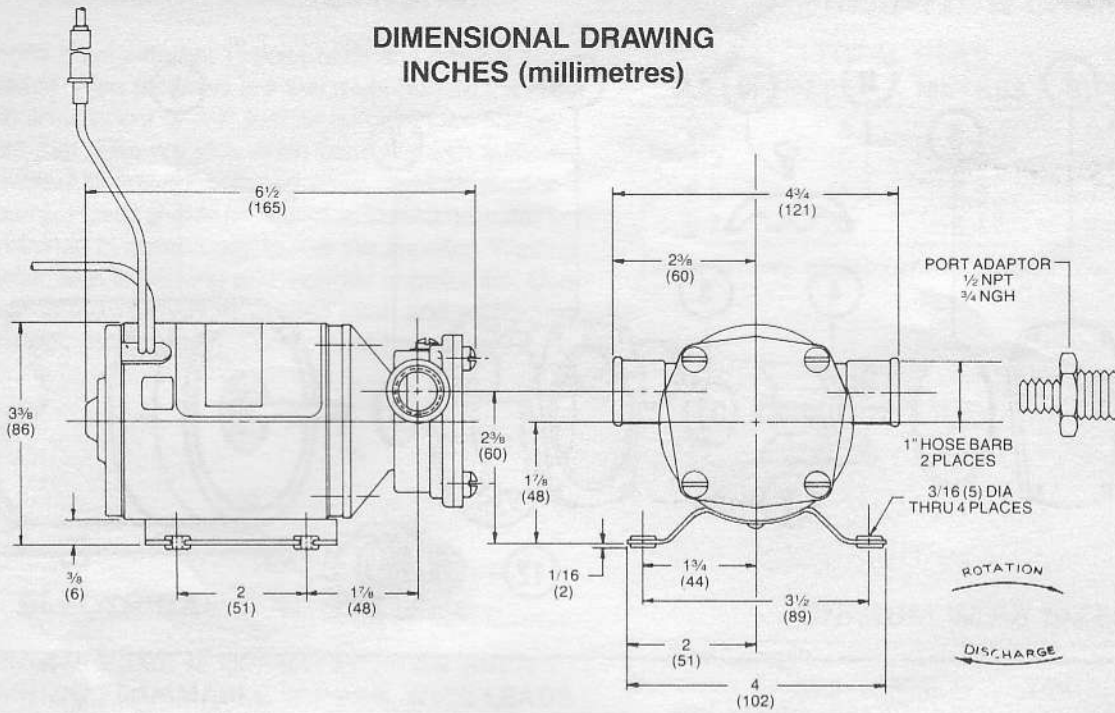
## MINIMUM WIRE SIZES

Wire Length Between Battery and Motor	12V	24V	32V
1-10 ft. (3m)	#12	#16	#16
11-20 ft. (6m)	#10	#16	#16
21-30 ft. (9m)	# 8	#12	#16

## WIRING DIAGRAM



**DIMENSIONAL DRAWING  
INCHES (millimetres)**



**ONE YEAR LIMITED WARRANTY**

**A. WARRANTY:** ITT warrants that at the time of shipment, the products manufactured by ITT and sold hereunder shall be in conformity with applicable written specifications and descriptions referred to or set forth herein, free from defects in material and workmanship, merchantable, and suitable for a particular purpose, provided such is implied by State law under the circumstances of this sale.

**B. WARRANTY ADJUSTMENT:**

1. ITT agrees to repair or furnish a replacement for, but not to remove or install, any product or component thereof which, within one (1) year from date of purchase, shall upon test and examination by ITT prove defective within the above warranty. Receipt verifying purchase date is required to obtain adjustment.
2. Buyer shall notify ITT of any defect within this warranty no later than ninety (90) days after the defect is discovered.
3. No product will be accepted for return or replacement without the prior written authorization of ITT. Upon such authorization, and in accordance with instructions from ITT, the product will be returned to ITT, shipping charges prepaid by Buyer. Products returned to ITT will be addressed as follows:

**ITT JABSCO**  
1485 Dale Way  
Costa Mesa, California 92626-3998

Or to such alternate locations as may be designated on the product, its container, or this sheet.

Repair or replacement made under this warranty will be shipped prepaid to Buyer.

**C. EXCLUSIONS FROM WARRANTY:**

1. The foregoing warranty is limited solely as set forth herein and applies only for the period designated above.

2. ITT SHALL NOT BE LIABLE FOR ANY LOSS, DAMAGE, SPECIAL OR CONSEQUENTIAL DAMAGE OF ANY KIND, WHETHER BASED UPON WARRANTY, CONTRACT, NEGLIGENCE, OR STRICT LIABILITY ARISING IN CONNECTION WITH THE SALE, USE, OR REPAIR OF THE PRODUCT.

3. THE MAXIMUM LIABILITY OF ITT IN CONNECTION WITH THIS WARRANTY SHALL NOT IN ANY CASE EXCEED THE CONTRACT PRICE FOR THE PRODUCT CLAIMED TO BE DEFECTIVE OR UNSUITABLE.

4. This warranty does not extend to any product manufactured by ITT which has been subjected to misuse, neglect, accident, improper installation, or use in violation of instructions furnished by ITT.

5. This warranty does not extend to or apply to any unit which has been repaired or altered at any place other than ITT's factory, or by persons not expressly approved by ITT, nor to any unit the serial number, model number, or identification of which has been removed, defaced or changed.

6. Components manufactured by any supplier other than ITT shall bear only that warranty made by the manufacturer of that product.

7. This warranty applies to products defined as "consumer products" by the Consumer Product Warranties Act as from time to time amended.

**STANDARD WARRANTY:** If the products manufactured and sold hereunder are not Consumer Products, the warranty extended to Buyer shall be as set forth in subparagraphs (a), (b), and (c), EXCEPT THAT ALL EXPRESS OR IMPLIED WARRANTIES OR MERCHANTABILITY OR SUITABILITY FOR ANY PARTICULAR PURPOSE ARE EXCLUDED.

**ITT JABSCO**

A Unit of ITT Corporation  
1485 Dale Way, P. O. Box 2158  
Costa Mesa, CA 92628-2158  
Telephone: (714) 545-8251