



Models 61022-4 Series 61040-4 Series 61025-4 Series 61042-4 Series 61026-4 Series

5", 7" & 8" ELECTRIC REMOTE CONTROL SEARCHLIGHTS

FEATURES

- Complete drive unit enclosed in light housing.
- Single control lever for vertical and horizontal movement.
- Dual speed control for precise beam movement.
- On-off and spot/flood beam selection from a single switch. (Spot only on 8" and 7" models).
- Exclusive Clutch-A-Matic feature protects drive unit against overload. Can operate for extended periods against limit stops without harm. Light head may be moved manually without damage to the drive unit.
- Internal brake system holds beam firmly on target.
- Includes control with on-off, spot/flood switch, dual speed control, and single control for vertical and horizontal movement.

| Model Number | Volts | Head | Base | Bulb Type | Candlepower (Combined) |
|--------------|-------|-------|-------|---------------|------------------------|
| 61022-4002 | 12 | Brass | Zinc | 5" Spot/Flood | 150,000 |
| 61025-4002 | 12 | Brass | Zinc | 5" Spot/Flood | 150,000 |
| 61026-4002 | 12 | Brass | Brass | 5" Spot/Flood | 150,000 |
| 61040-4002 | 12 | Brass | Brass | 7" Spot/Flood | 250,000 |
| 61040-4006 | 24 | Brass | Brass | 7" Spot | 470,000 |
| 61042-4002 | 12 | Brass | Brass | 8" Spot | 500,000 |
| 61042-4006 | 24 | Brass | Brass | 8" Spot | 500,000 |

| Model Number | Volts | Head | Base | Bulb Type | Reflective Beam Range |
|--------------|-------|-------|-------|------------|-----------------------|
| 61025-4008 | 12 | Brass | Zinc | 5" Halogen | 1200' |
| 61026-4008 | 12 | Brass | Brass | 5" Halogen | 1200' |

CABLE LISTING

| Part Number | Description |
|-------------|--------------------|
| 43990-0013 | 10' Cable Assembly |
| 43990-0014 | 15' Cable Assembly |
| 43990-0015 | 25' Cable Assembly |
| 43990-0016 | 35' Cable Assembly |
| 67294-0000 | 50' Bulk Cable |

CONTROLS

| Part Number | Description |
|-------------|----------------------------|
| 43670-0001 | Primary Control 12 V |
| 43670-0004 | Secondary Control Kit 12 V |
| 60070-0000 | Primary Control 24 V |
| 18753-0335 | Secondary Control Kit 24 V |



MODEL 61022-Series



MODELS 61025 & 61026-Series



MODELS 61040 & 61042-Series

Models 61022-4 Series, 61025-4 Series, 61026-4 Series, 61040-4 Series, 61042-4 Series

LIGHT MOUNTING

See base mounting dimensions for appropriate model light. Mount all models with front of base toward direction of most intended use (front of circular base is marked with arrow). Drill screw holes (per dimensional drawing) and a 1-1/8" (28mm) hole at center of base for wiring cable. Drill additional holes for wiring cable through firewalls, bulkheads, etc. for connection to control. With gasket under light base, feed wire through hole and fasten light in place. Note: Cable connectors are provided for easy wiring connections. See Wiring Diagram.

8" 12 Volt Model Only – In addition to the cable connections, the red and black individual wires at the end of the cable must be connected to the power source – red-positive, black-negative. Install 20 amp fuse provided in positive lead between power source and searchlight. These connections are to be made using butt connectors provided.

CONTROL MOUNTING

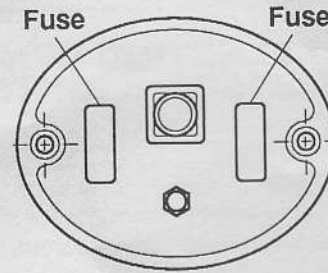
43670-0001 12 VOLT & 60070-0000 24 VOLT

Select a location near the helm which will allow convenient operation of control. Unit may be mounted on vertical, horizontal or inclined panel.

1. Cut 2-5/8" (67mm) diameter hole in flat surface where control is to be mounted.
2. Route power leads (supplied by customer) from voltage source to control. Note: Wiring must be 16 gauge with maximum run of 15 ft.
3. Crimp terminals supplied onto power leads. Note: Larger terminal is crimped to positive lead – smaller terminal to negative lead.
4. Insert wiring cable and power leads thru back of hole and plug into control.
5. Use bedding compound or sealant to waterproof control mounting.
6. Secure control with self-tapping screws provided.

CIRCUIT PROTECTION

Two (2) automotive type fuses are included in the control. One (10 amp) protects the bulb circuit, the other (3 amp) protects the motor circuit. A 20 amp fuse or circuit breaker must be supplied by installer in positive lead to 8" 12 Volt light (61042-4002).



OPTIONAL SECONDARY CONTROL MOUNTING

If an additional control station is desired, use control kit number 43670-0004 12 Volt, 18753-0335 24 Volt. Mount secondary control in same manner as main control. Mount station selector panel near the main control (flybridge or lower).

1. Cut a 2" x 1-3/8" (51mm x 35mm) opening for station selector panel within a 1 foot radius of the control.
2. Route secondary control cable from station selector panel to secondary control location (cable acquired separately – see cable listing).
3. Insert station selector panel thru mounting hole and attach connectors to mating connectors from controls and searchlight. The connectors marked "flybridge" to go to flybridge control and the connector marked "lower" to lower control. The connector to the nearest control can be plugged directly into the control. See diagram.
4. Use bedding compound or sealant to waterproof station selector panel mounting.
5. Secure panel with self-tapping screws provided.

TROUBLESHOOTING

All lights are thoroughly inspected before shipping and are warranted to operate within specifications. If light does not operate correctly, **CHECK FUSES, AND WIRE HARNESS CONNECTIONS BEFORE PROCEEDING WITH THIS TROUBLESHOOTING.**

PROBLEM

1. Dual filament bulb works in reverse.
2. Control lever works in reverse in all directions.
3. Light moves in only three of the possible four directions.
4. Dim light (low voltage).
5. Bulb operates - no light movement
or
Light moves - bulb does not operate.

SOLUTION

Reverse orange and gray wires at the bulb terminals.

See wiring instructions.

- A. Check connectors.
- B. Replace control.
- C. If problem persists, return light & control for service.*

- A. Check voltage at power source.
- B. Refer to cable listing for proper wire gage and length.

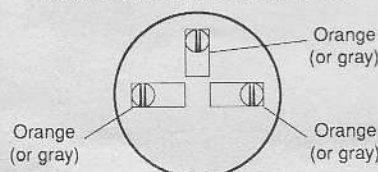
Check fuses on front of control.

***MAJOR SERVICE** – Control assembly or base drive unit assembly should be returned to the factory at 501 W. Liberty St., Springfield, Ohio 45501, for service.

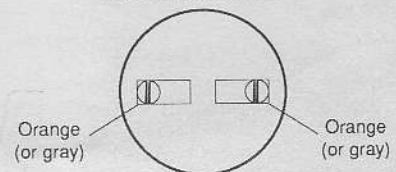
BULB REPLACEMENT

Loosen screw and remove bulb retaining ring. Disconnect wires from faulty bulb. Connect wires to new bulb as shown below. Install bulb and fasten with bulb retaining ring.

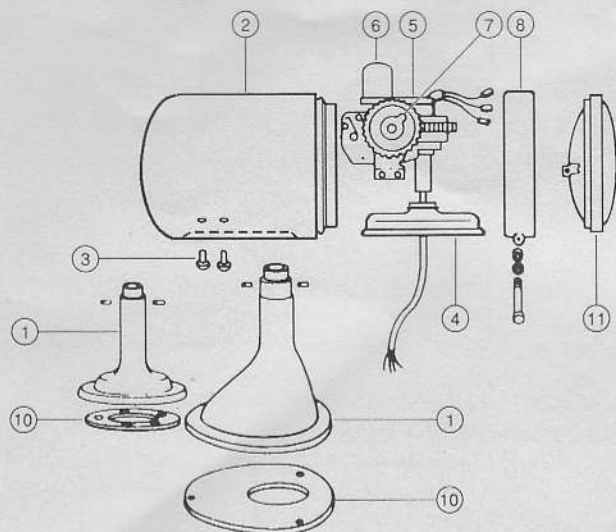
DUAL FILAMENT SPOT/FLOOD



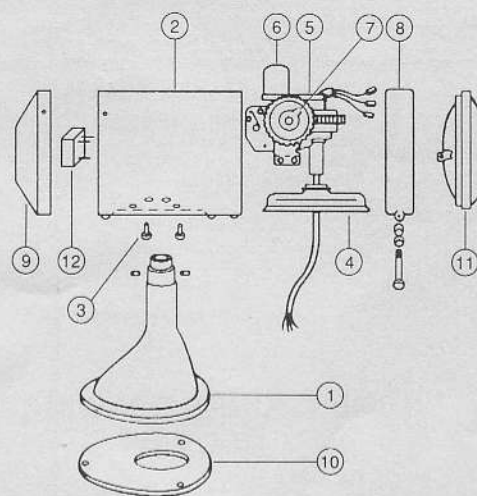
SINGLE FILAMENT



EXPLODED VIEW



MODELS 61022-4002
61025-4002
61026-4002



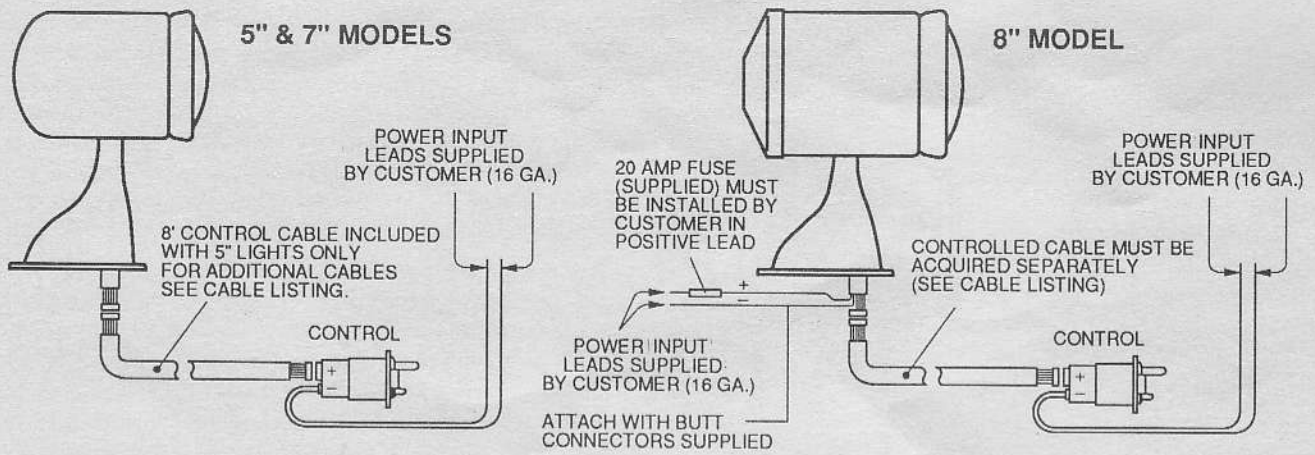
MODELS 61040-Series
61042-Series

PARTS LIST

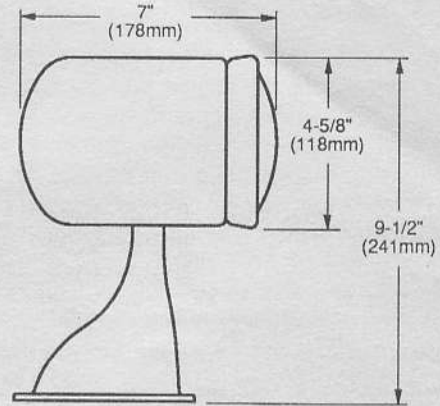
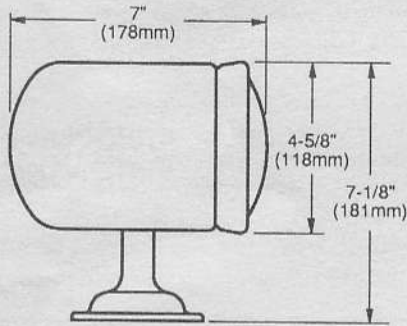
SEARCHLIGHT MODEL No. AND DIAGRAM REFERENCE

| KEY No. | Part Description | 61022-4002 | | 61025-4002 61026-4002 | | 61040-Series | | 61042-Series | |
|---------|--|--------------------------|-------------|---------------------------------|-------------|---------------------------------|-------------|---------------------------------|-------------|
| | | Part No. | Qty. | Part No. | Qty. | Part No. | Qty. | Part No. | Qty. |
| 1 | Base (includes set screw) Chrome - Zinc Chrome - Brass | 66130-0000 --- | 1 - | 66132-0000 43990-0030 | 1 1 | --- 43990-0031 | - 1 | --- 43990-0031 | - 1 |
| 2 | Housing (rubber boot installed) (includes end bell (No.8) on 7" & 8") Chrome - Brass Housing | 43990-0032 | 1 | 43990-0032 | 1 | 43998-0000 | 1 | 43966-0000 | 1 |
| 3 | Screws for mounting housing (package of 4 screws) | 66138-0000 | 1 | 66138-0000 | 1 | 66138-0000 | 1 | 66138-0000 | 1 |
| 4 | Rubber Boot (includes straps and fasteners) | 43990-0045 | 1 | 43990-0045 | 1 | 43990-0046 | 1 | 43990-0046 | 1 |
| 5 | Motor Clutch Assembly (assembled and wired) 12v 24v | 43990-0036 --- | 1 - | 43990-0036 --- | 1 - | 43990-0037 43990-0038 | 1 1 | 43990-0047 --- | 1 - |
| 6 | Motor & Pinion Kit (vertical) | 43990-0054 | 1 | 43990-0054 | 1 | 43990-0054 | 1 | 43990-0054 | 1 |
| 7 | Motor & Pinion Kit (horizontal) | 43990-0055 | 1 | 43990-0055 | 1 | 43990-0055 | 1 | 43990-0055 | 1 |
| 8 | Bulb Retaining Ring (chrome) (w/fasteners) | 66149-0000 | 1 | 66149-0000 | 1 | 43990-0039 | 1 | 43990-0040 | 1 |
| 9 | End Bell (w/fasteners) | --- | - | --- | - | See Key #2 | - | See Key #2 | - |
| 10 | Gasket (base mount) | 66155-0000 | 1 | 66156-0000 | 1 | 66157-0000 | 1 | 66157-0000 | 1 |
| 11 | Bulb 12 VDC 24 VDC Halogen (Model-4008) | 67296-0000 --- --- | 1 - - | 67296-0000 --- 43990-0022 | 1 - 1 | 67262-0000 18753-0447 --- | 1 1 - | 67524-0000 98040-0520 --- | 1 1 - |
| 12 | Primary Power Relay - 12 Volt Model only Gear & Clutch Kit (not shown) | --- --- | - - | --- 43990-0069 | - 1 | --- 43990-0069 | - 1 | 43789-0000 43990-0069 | 1 1 |

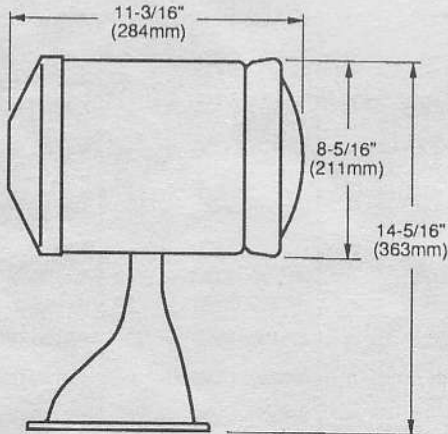
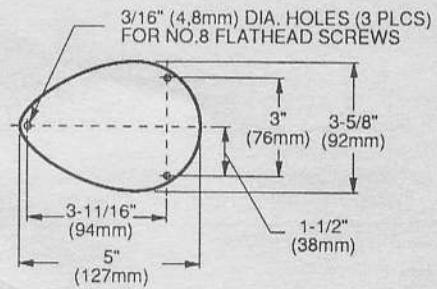
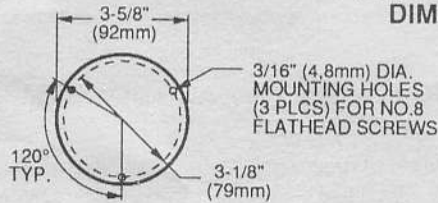
WIRING DIAGRAM SINGLE CONTROL



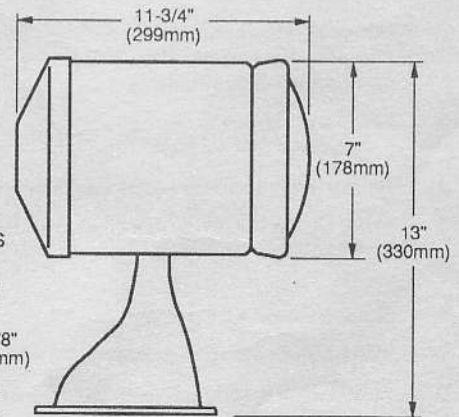
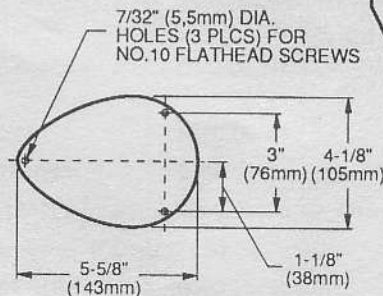
DIMENSIONAL DRAWINGS



BASE MOUNTING DIMENSIONS



BASE MOUNTING DIMENSIONS



ITT Jabsco

ITT Fluid Technology Corporation
 1485 Dale Way, P.O. Box 2158, Costa Mesa, CA 92628-2158
 Tel: (714) 545-8251; Fax: (714) 957-0609
 Bingley Road, Hoddesdon, Hertfordshire EN11 0BU England
 Tel: 0992-467191; Tlx: 263251 G; Fax: 0992-467132

THE PRODUCTS DESCRIBED HEREIN ARE SUBJECT TO THE JABSCO® ONE YEAR LIMITED WARRANTY, WHICH IS AVAILABLE FOR YOUR INSPECTION UPON REQUEST.