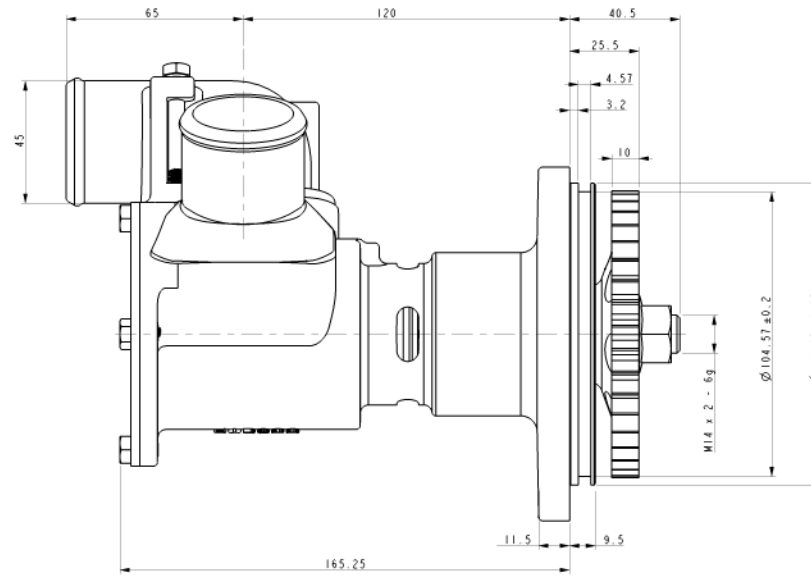
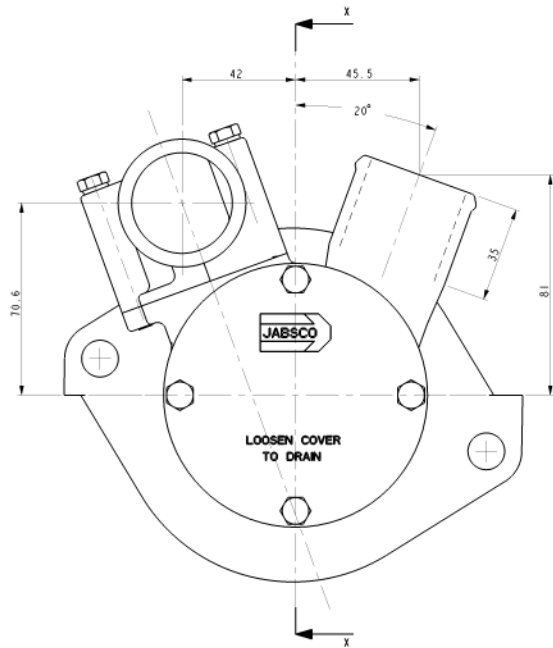


KEY	DESCRIPTION	PART NUMBER	QTY
1	BEARING - BALL	SP2600-111	2
2	BODY	50354-1000	1
3	CAM	23341-0001	1
4	ENDCOVER	50355-0000	1
5	GEAR	50359-0000	1
6	HEX HEAD BOLT M6 x 55	X3000-193F	2
7	HEX HEAD SCREW	X3001-176F	4
8	HEX NUT	97020-0047	1
9	IMPELLER	17018-0121	1
10	KEY - WOODRUFF	SP1402-03	1
11	LIPSEAL	SP2701-0903	1
12	MECHANICAL SEAL	SP6080-0469	1
13	O-RING (2.4 x 69.6)	X4020-269A	1
14	O-RING	X4020-251A	1
15	PORT	50356-0000	1
16	RETAINING RING	SP1700-62	1
17	RETAINING RING	SP1701-26	1
18	ROLL PIN	SP3100-10	1
19	SCREW 12-24 UNC x 0.375"	SP1004-09	1
20	SHAFT	50357-0000	1
21	SPLINE SEAL	4345	1
22	SPRING WASHER M6	X3081-091F	2
23	SUPPORT WASHER	29706-0000	1
24	WEARPLATE	4156	1

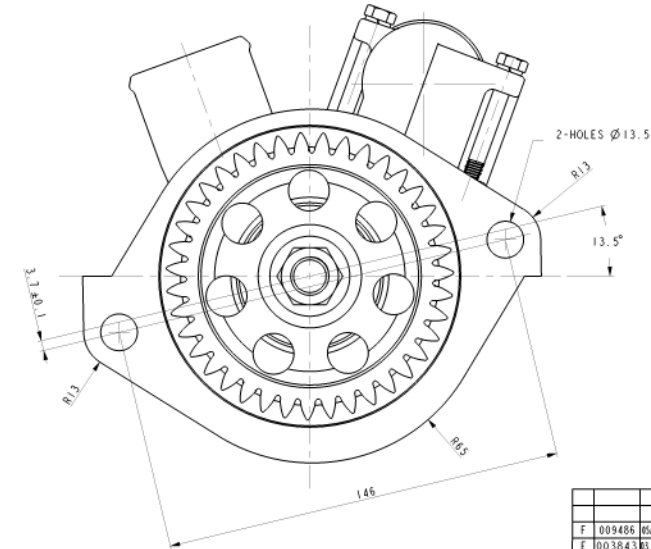
THE FOLLOWING ITEMS DO NOT FORM PART OF THE ASSEMBLY BUT ARE REQUIRED:

CARTON 197x217x331	PC100-0008	1
LABEL - CARTON	23007-4351	1

ENG SP 02-5335 - ENGINEERING SPECIFICATION



SCALE 1.000



F	009486	05/11/11
E	003843	03/11/08
D	003843	03/11/08
C	13520	01/04/05
REV	NO	DATE

<p>Jabco</p> <p>ITT Industries</p> <p>6 DINGLEY ROAD, HODDERSON HEATH, EMU HILL, ENGLAND 011992 450105 www.jabco.com</p>	<p>UNLESS OTHERWISE STATED DIMENSIONS ARE IN MM TOLERANCES UNLESS OTHERWISE STATED ARE: DECIMALS</p> <p>1 ± 0.15 2 ± 0.2 3 ± 0.3 ANGULAR ± 0.5</p>	<p>SCALE: 1.000</p> <p>DRAWN: SJC</p> <p>DATE: 03.11.08</p>	<p>MATERIAL: ----</p> <p>TITLE: INSTALLATION / ASSEMBLY 120 SIZE</p> <p>DRAWING NO.: 50350-1101</p>	<p>2062</p> <p>A1</p>
	<p>DATE: 03.11.08</p> <p>BY: DH</p> <p>APP: DH</p>	<p>SCALE: 1.000</p> <p>DRAWN: SJC</p> <p>DATE: 03.11.08</p>	<p>TITLE: INSTALLATION / ASSEMBLY 120 SIZE</p> <p>DRAWING NO.: 50350-1101</p>	<p>2062</p> <p>A1</p>
	<p>UNLESS OTHERWISE STATED DIMENSIONS ARE IN MM TOLERANCES UNLESS OTHERWISE STATED ARE: DECIMALS</p> <p>1 ± 0.15 2 ± 0.2 3 ± 0.3 ANGULAR ± 0.5</p>	<p>SCALE: 1.000</p> <p>DRAWN: SJC</p> <p>DATE: 03.11.08</p>	<p>MATERIAL: ----</p> <p>TITLE: INSTALLATION / ASSEMBLY 120 SIZE</p> <p>DRAWING NO.: 50350-1101</p>	<p>2062</p> <p>A1</p>
	<p>UNLESS OTHERWISE STATED DIMENSIONS ARE IN MM TOLERANCES UNLESS OTHERWISE STATED ARE: DECIMALS</p> <p>1 ± 0.15 2 ± 0.2 3 ± 0.3 ANGULAR ± 0.5</p>	<p>SCALE: 1.000</p> <p>DRAWN: SJC</p> <p>DATE: 03.11.08</p>	<p>MATERIAL: ----</p> <p>TITLE: INSTALLATION / ASSEMBLY 120 SIZE</p> <p>DRAWING NO.: 50350-1101</p>	<p>2062</p> <p>A1</p>