

JABSCO®

Model 4720-SERIES

Model 4720-SERIES



SELF-PRIMING PUMPS

FEATURES

- Body: **Type 316 Stainless Steel**
- Impeller: **Neoprene or Nitrile**
- Seal: **Lip Type**
- Shaft: **Steel Motor Shaft with special Stainless Steel Sleeve**
- Ports: **1/2" NPT Internal**
- Motor: **1/3 HP, 115/230 Vac, 60 Hz, Single Phase, T.E.F. C., 1725 RPM, Continuous Duty, 56-Frame, Capacitor start with automatic reset, thermal overload protector; 6 foot cord with three prong plug.**
- Weight: **35 lbs (15,9 kgs)**

⚠ MOTOR WARNING



MOTOR CAN SPARK,
EXPLOSION & DEATH
CAN OCCUR.

DO NOT USE WHERE
FLAMMABLE VAPORS
ARE PRESENT.

VARIATIONS AVAILABLE

MODEL	DESCRIPTION
4720-0001	NEOPRENE IMPELLER
4720-0003	NITRILE IMPELLER

OPERATING INSTRUCTIONS

APPLICATIONS

CHEMICAL – Industrial Motor Pump Unit Circulating, Transferring and Filtering of Chemicals, Plating Solutions, Pharmaceuticals, Cosmetics and Farm Chemicals, Emptying and Filling Carboys, Vats, Tanks, Barrels or Entire Systems.

INSTALLATION – Pump may be installed in any position. Rotation of motor determines the location of the pump intake. The motor is normally wired for clockwise rotation when looking at pump cover, with inlet port on the right.

SELF-PRIMING – Vertical, dry suction lift of 10'. Pump will produce suction lift up to 22' when wet. **BE SURE SUCTION LINES ARE AIRTIGHT** or pump will not self-prime.

DISCHARGE – When transferring liquids further than 25', use 1" I D discharge line.

RUNNING DRY – Unit depends on liquid pumped for lubrication. **DO NOT RUN DRY FOR MORE THAN 30 SECONDS.** Lack of liquid will damage the impeller and seal.

PRESSURES – For continuous operation, pressure should not exceed 20 PSI (1,4 kg/cm²).

TEMPERATURE – Neoprene Impeller 45° to 180° F (8°-82° C), Nitrile Impeller 50° to 180° F (10° to 82° C).

SPARE PARTS – A Jabsco Service Kit should be kept on hand to maintain all but the most badly worn pumps.

NOTICE – When corrosive fluids are handled, pump life will be prolonged if pump is flushed with water after each use or after each work day. For further information, consult Jabsco Chemical Resistance Table (which is available upon request from ITT Jabsco) or factory.

WARNING: THIS UNIT IS NOT TO BE USED WHERE FLAMMABLE VAPORS ARE PRESENT. DO NOT PUMP SOLVENTS, THINNERS, OR GASOLINE AS EXPLOSION MAY RESULT CAUSING INJURY OR DEATH.

SERVICE INSTRUCTIONS

- Disassembly and □ Assembly Instructions

TO REPLACE IMPELLER

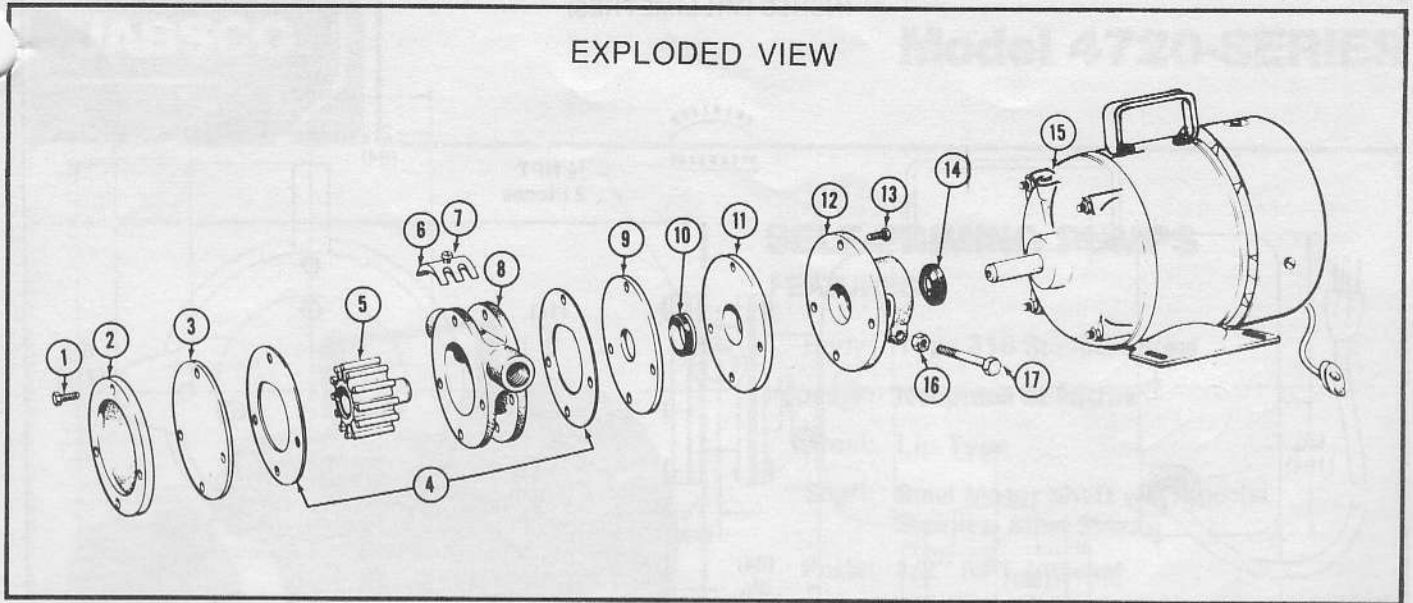
1. ● Remove end cover cap screws, end cover, gasket and wearplate.
2. ● Grasp impeller hub with water pump pliers and withdraw impeller from body. Check seal and internal parts for wear. Replace worn parts if necessary.
3. □ Coat body bore and end of impeller extended insert with a light film of water pump grease. Align detent in impeller extended insert with keyway in shaft. Depress the two impeller blades which fit under the cam, and carefully push the impeller into the body bore. Use a screwdriver in the drain slot area to push the neoprene slinger up onto the end of the extended impeller. Rotate the impeller in a clockwise direction to assure the impeller blades are in the correct position for easy starting.
4. □ Replace wearplate, gasket, end cover and secure with end cover cap screws.

TO REPLACE SEAL ASSEMBLY

5. ● Loosen adaptor clamp nut and remove pump head from motor. Use a screwdriver to spread the clamp slightly to facilitate removal.
6. ● See above Step #1.
7. ● Remove body, gasket and wearplate from adaptor. Push impeller from body bore.
8. ● Remove seal liner and seal by pressing from motor end of adaptor.

9. ● Remove seal from liner. Check all parts for wear. Replace if questionable.
10. □ Install seal liner in bore of adaptor, aligning bolt holes carefully.
11. □ Dip seal in water for lubrication and push into seal liner bore with lip facing outwards. Wipe a thin film of grease on lip of seal.
12. □ Install wearplate against liner, install gasket, align bolt holes.
13. □ Push the impeller into the body and rotate the impeller in a clockwise direction to align blades for correct direction of rotation. Place the body impeller assembly over the gasket and wearplate, and carefully insert the impeller extended insert through the seal.
14. □ Install the four capscrews through the adaptor flange and screw into threaded holes in body flange. Tighten bolts evenly and securely.
15. □ Repeat Step #4.
16. □ Align the tab in the slinger bore with the keyway in the shaft and push the slinger part way onto the shaft.
17. □ Align the detent in the impeller extended insert with the keyway in the shaft and push the pump head onto the motor hub, firmly against the motor. Tighten the adaptor clamp nut just enough to prevent the pump head from turning on the motor hub. If too tight, motor bearing will seize the shaft and become damaged during operation. Attach short lengths of hose to suction and discharge ports and place both hose ends in a bucket of water before plugging motor in, to check operation.

EXPLODED VIEW



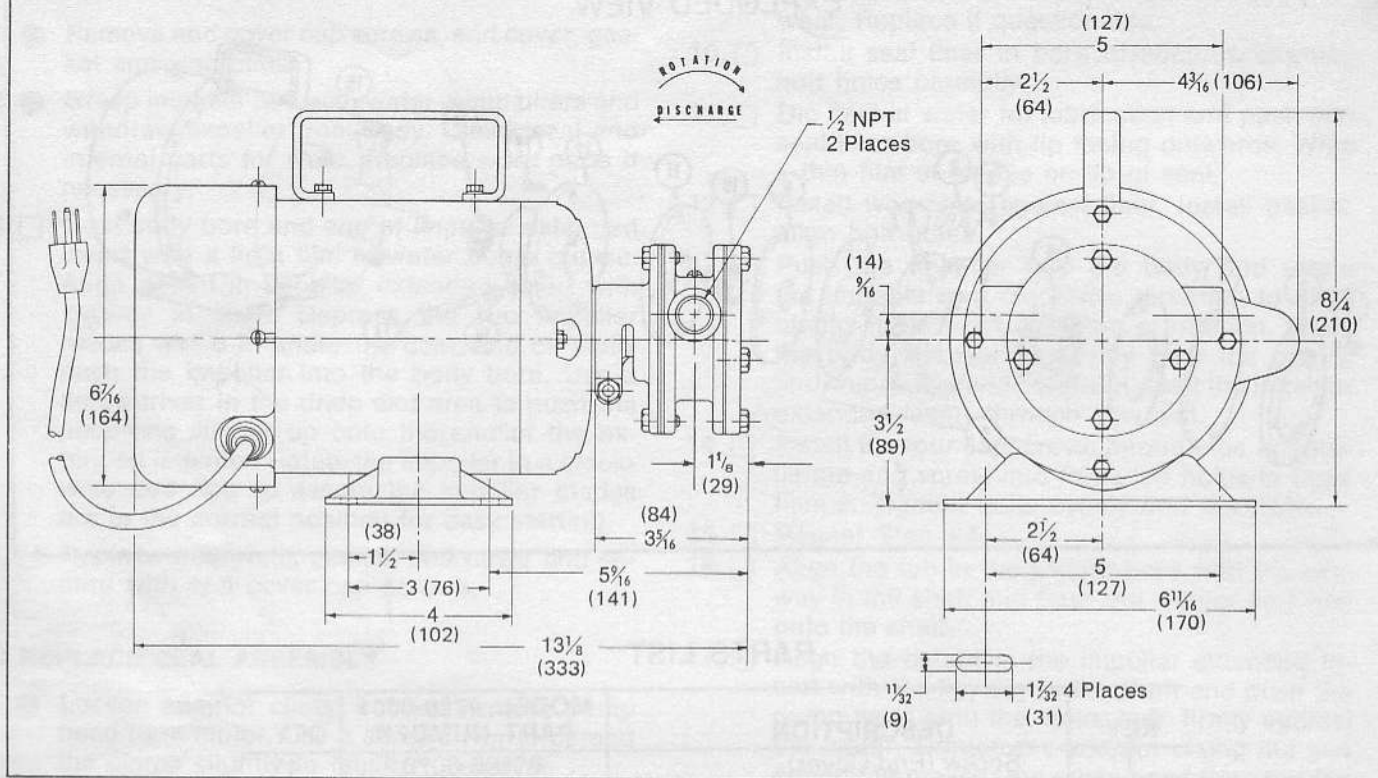
PARTS LIST

KEY	DESCRIPTION	MODEL 4720-0001 PART NUMBER	QTY.
1	Screw (End Cover)	91106-0070	4
2	End Cover	4919-0000	1
3	Wearplate (Body to End Cover)	4918-0000	1
4	*Gasket	2876-0000	2
5	*Impeller (Neoprene) (Nitrile)	6174-0001 6174-0003	1 —
6	Cam	2880-0000	1
7	Screw (Cam)	91023-0010	1
8	Body	2873-0000	1
9	Wearplate (Body to Adaptor)	4357-0000	1
10	*Seal	92700-0520	1
11	Liner	4354-0000	1
12	Adaptor	4355-0000	1
13	Screw (Adaptor)	91106-0070	4
14	Slinger	6398-0000	1
15	Motor (Includes Handle, Cord & Plug)	18735-0000	1
16	Nut (Adaptor)	91105-0030	1
17	Bolt (Adaptor)	91095-0090	1
—	Replacement Pump Head Only (Neoprene) (Nitrile)	4730-0001 4730-0003	— —
—	Service Kit	90045-0001	—

*Parts Supplied in Service Kit

Replacement Seal—96080-0100—Face Seal/Carpenter 20 Seat—For obsolete
Model 4720-60

**DIMENSIONAL DRAWING
INCHES (MILLIMETRES)**



HEAD VS. FLOW TABLE

TOTAL HEAD				FLOW AT 1725 RPM	
Lbs. per Sq. In.	Kgs per Sq cm	Feet of Water	Metres of Water	GPM	Litres per Min
4.3	0,3	10	3,0	11.0	41,6
8.7	0,6	20	6,1	10.0	37,9
17.3	1,2	40	12,2	6.7	25,4
21.6	1,5	50	15,2	5.0	18,9

Table shows approximate head-flow for new pump in U.S. GPM and litres per minute with Neoprene impeller.

THE PRODUCTS DESCRIBED HEREIN ARE SUBJECT TO THE JABSCO ONE YEAR LIMITED WARRANTY, WHICH IS AVAILABLE FOR YOUR INSPECTION UPON REQUEST.

ITT JABSCO
A Unit of ITT Corporation
1485 Dale Way, P.O. Box 2158
Costa Mesa, CA 92628-2158
Telephone: (714) 545-8251