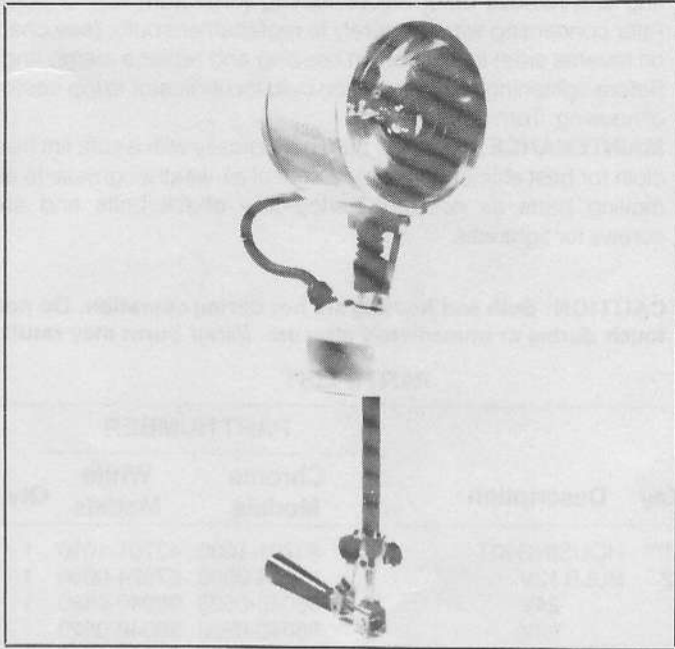


# Model 43640-SERIES



## 8" DIAMETER LEVER CONTROL MARINE SEARCHLIGHT

### FEATURES

Heavy duty brass with stainless steel fittings. High quality, heavy nickel-chrome plated finish or tough epoxy type paint finish.

Escutcheon plate covers and finishes clearance hole in cabin ceiling. 380° horizontal sweep and 70° vertical motion.

Horizontal and vertical locking devices. Light movement is frictioned dampened for ease of operation.

Rubber covered wiring cable with water-tight fittings.

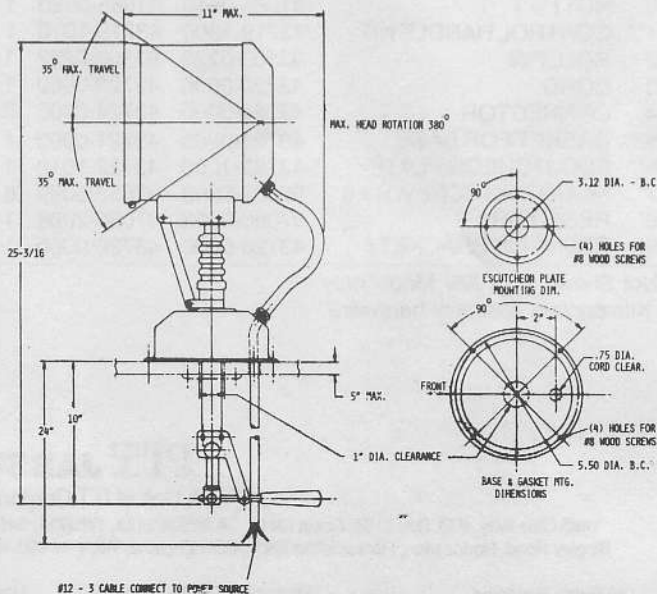
Shipping weight approximately 11 lb. 8 oz.

Model 43640-SERIES

### STANDARD MODELS

Model Number	Finish	Voltage	Amperage	Fuse* Size Amps	Bulb Number	Watts	Candle Power
43640-0010	Painted	12 D.C.	17.4	20	67524-0000	250	500,000
43640-0020	Painted	24 D.C.	7.8	10	98040-0520	250	500,000
43640-0030	Painted	32 D.C.	8.6	10*	98040-0520	250	500,000
43640-0110	Chrome	12 D.C.	17.4	20	67524-0000	250	500,000
43640-0120	Chrome	24 D.C.	7.8	10	98040-0520	250	500,000
43640-0130	Chrome	32 D.C.	8.6	10*	98040-0520	250	500,000

\*Fuse should be type 3AG non-time delay fuse rated for 32 volts or greater



### INSTALLATION AND MAINTENANCE

**INSTALLATION INSTRUCTIONS:** Searchlight should be mounted so base is level. Drill 1" (25.4 mm) clearance hole through roof for outside control rod. Drill 3/4" (19 mm) diameter hole for wiring 2" (51 mm) toward the aft from the center hole. Remove roll pin (Key 22) from control handle using 3/16" (5 mm) punch. Remove control handle (Key 21), pivot bearing (Key 19), control rod bracket (Key 18) and nut (Key 20). Loosen 2 set screws (Key 17) and 2 set screws (Key 6) and remove fulcrum (Key 7) from outside control rod. Light is now ready to be installed on deck. Insert control rod and cable through clearance holes. With the cable connector on the base toward the aft end, locate and mark the 4 mounting holes in the base. Remove the searchlight and drill 4 starter holes for #8 wood screws as marked. Place gasket (Key 25) on mounting surface and line up holes in gasket with mounting holes just drilled. Insert searchlight and cable through clearance holes and secure to deck with 4 mounting screws provided (Key 27). **Note:** On irregular surface or curved surfaces, a sealing compound should be placed on both sides of the gasket to insure a water-tight seal. From inside

## INSTALLATION AND MAINTENANCE

the cabin, slide escutcheon plate (Key 26) over control rod and mark 4 mounting hole locations on ceiling. Remove escutcheon plate and drill 4 starter holes for #8 wood screws as marked. Attach escutcheon plate to ceiling using 4 mounting screws provided (Key 27). Replace fulcrum, nut, control rod bracket, pivot bearing, control handle and roll pin, in that order. Control handle should face aft when searchlight is facing forward. To adjust alignment, loosen nut (Key 20) and rotate control handle and fulcrum assembly until lined up with searchlight head. Retighten nut. **NOTICE**- Do not overtighten set screws (Key 6) in fulcrum. These specially designed set screws provide a guide for the fulcrum for horizontal movement of the searchlight, and, therefore, are not intended to lock tight against the control rod. Excessive drag and possible damage to the set screw could result from overtightening. Drag for the horizontal movement can be adjusted according to the operator's feel by tightening the top adjusting knob (Key 16). Likewise, drag for the vertical movement can be adjusted by tightening the bottom adjusting knob (Key 16).

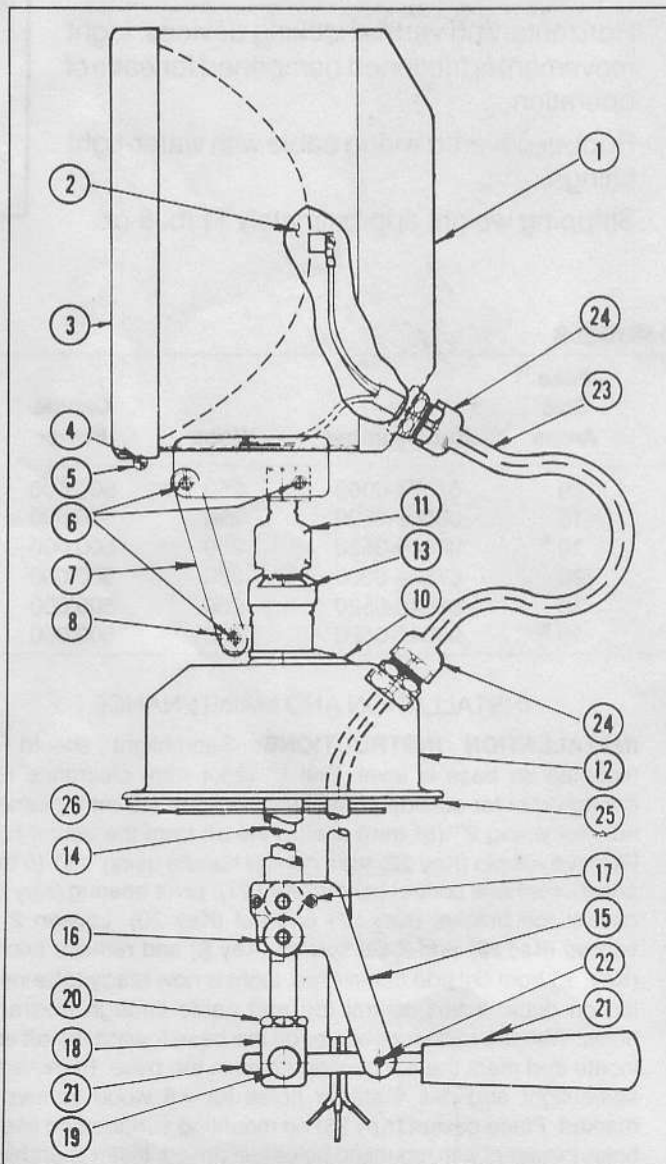
**WIRING INSTRUCTIONS:** Use 12 gauge stranded copper wire for up to 35' (10,6 m). For greater distances, use 10-gauge stranded copper wire. Use a switch with an amperage rating of no less than the amperage of the searchlight (see chart). The green lead in the cable is intended for D C bonding (grounding) of the searchlight.

**CHANGING BULB:** Make sure power is off. Remove bulb clamp ring and remove bulb, disconnecting wires from rear of bulb. After connecting wires securely to replacement bulb, (see chart on reverse side) install bulb in housing and replace clamp ring. Before tightening clamp, position bulb top indicator to top center of housing. Turn unit on to test.

**MAINTENANCE:** Clean the bulb periodically with a soft, lint free cloth for best efficiency. Apply a coat of all-weather grease to all moving parts as needed. Periodically check bolts and set screws for tightness.

**CAUTION: Bulb and housing are hot during operation. Do not touch during or immediately after use. Minor burns may result.**

## PARTS LIST



Key	Description	PART NUMBER		Qty.
		Chrome Models	White Models	
1**	HOUSING KIT	43701-1000	43701-1010	1
2	BULB 12V	67524-0000	67524-0000	1
		98040-0520	98040-0520	1
		98040-0520	98040-0520	1
3**	BULB RIM KIT	67563-1000	67563-1010	1
4	SCREW	91030-0679	91030-0679	1
5	NUT	63175-0000	63175-0000	1
6**	SET SCREW KIT	43639-0002	43639-0002	6
7	FULCRUM STRAP	43707-1000	43707-1010	1
8**	FRICTION COLLAR KIT	43708-1000	43708-1010	1
9**	SLEEVE BEARING KIT	43639-0003	43639-0003	1
10	STOP COLLAR	INCLUDED IN 43708-KITS		
11	BELLOWS COVER	43710-1000	43710-1000	1
12**	BASE KIT	43711-1000	43711-1010	1
13	LOCK NUT (3/4")	43742-0000	43742-0000	1
14**	VERT. CONTROL ROD KIT	43714-1000	43714-1010	1
15	FULCRUM	43716-1000	43716-1010	1
16	ADJUSTING KNOB	92851-0215	92851-0215	2
17	SET SCREW	96091-0103	96091-0103	2
18	CONTROL ROD BRACKET	43717-1000	43717-1010	1
19	PIVOT BEARING	43718-0000	43718-0000	1
20	NUT (1/2")	91085-0510	91085-0520	1
21**	CONTROL HANDLE KIT	43719-1000	43719-1010	1
22	ROLL PIN	93100-0222	93100-0222	1
23	CORD	43723-0000	43723-0000	1
24	CONNECTOR	43724-0000	43724-0000	2
25	GASKET FOR BASE	43721-0000	43721-0000	1
26**	ESCUTCHEON PLATE	43722-1000	43722-1010	1
27*	MOUNTING SCREWS #8	92852-0099	92852-0099	8
28*	RESISTOR†	97060-2098	97060-2098	1
29*	RESISTOR BRACKET†	43726-0000	43726-0000	1

\*Not Shown †32V Model only

\*\* Kits contain essential hardware

THE PRODUCTS DESCRIBED HEREIN ARE SUBJECT TO THE JABSCO® ONE YEAR LIMITED WARRANTY, WHICH IS AVAILABLE FOR YOUR INSPECTION UPON REQUEST.

# ITT JABSCO

A Unit of ITT Corporation

1485 Dale Way, P.O. Box 2158, Costa Mesa, CA 92628-2158, Tel: (714) 545-8251  
Bingley Road, Hoddesdon, Hertfordshire EN11 OBU England, Tel: + 44-992-467191