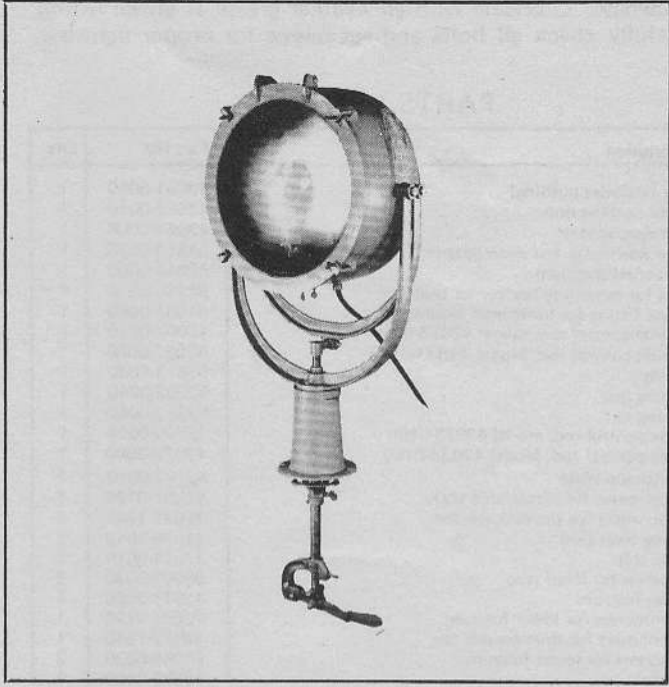


# RAY-LINE®

MARINE SEARCHLIGHTS

## 20" Diameter MODEL 42033-Series Lever Control



### PRODUCT DATA

### FEATURES

- Corrosion-resistant cast aluminum construction.
- Gray marine lacquer finish over zinc-chromate primer.
- Weatherproof drum.
- Heat-resistant tempered convex lens set in asbestos gasket and sealing compound.
- Escutcheon plate covers and finishes clearance hole in cabin ceiling.
- Single-lever action for quick horizontal and vertical sweep.
- 360° horizontal sweep and 70° vertical motion.
- Horizontal and vertical locking device.
- Mogul screw bulb socket.
- Precision-formed tempered mirror reflector.
- Auxiliary reflector for beam efficiency.
- External focusing device.
- Hinged door for easy relamping.
- Rubber covered wiring cable with water-tight fitting.
- Shipping weight: approximately 190 lbs.

MODEL 42033-SERIES LEVER CONTROL

### STANDARD MODELS

Model Number	Finish	Dim. A Rod Length Below Base	Dim. B Maximum Roof Thickness
42033-0160	gray	17"	7"
42033-0150	gray	23"	13"

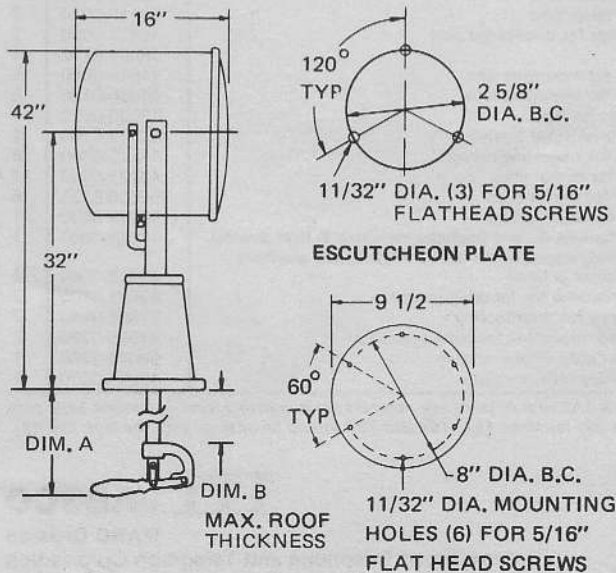
Light is supplied less bulb. See bulb selection data.

### BULB SELECTION DATA

Mogul Screw Bulb Number	Voltage	Wattage	Service Life (Hours)	Bulb Code
98039-0500	115	1000	50	DPT
98039-0490	115	1500	25	DTC
43592-0000*	32	200	200	—

\*include bulb and adaptor

### DIMENSIONAL DRAWING



### INSTALLATION AND MAINTENANCE

**INSTALLATION INSTRUCTIONS:** Searchlight should be mounted so base is level. Drill a 1 1/2" clearance hole through roof for outside control rod. Remove bolt for connecting links to rod. Loosen thumbscrew (Key 9A) and set screws (Key 9C) and remove handle (Key 10) and fulcrum (Key 9). Loosen set screws (Key 8A) and thumbscrew (Key 6A). Remove fixed stop (Key 8), sliding stop (Key 7), and escutcheon plate (Key 6).

Mount light in place. After putting sealing compound under base, fasten to roof with (6) 5/16" diameter bolts or wood screws. Replace escutcheon plate, and mount plate to ceiling with thumbscrew facing aft. With light facing forward, place sliding stop (Key 7) over outside control rod and firmly against the escutcheon plate. Place the fixed stop (Key 8) firmly against the sliding stop and, with the stop point facing forward, tighten set screws (Key 8A). Replace handle and fulcrum. Tighten set screws (Key 9C) to firmly fasten fulcrum to outside control rod. Check that all set screws and bolts are tightened properly.

**ITT JABSCO**

Form 43000-0089 Rev. 10/81

## INSTALLATION AND MAINTENANCE (CONT'D.)

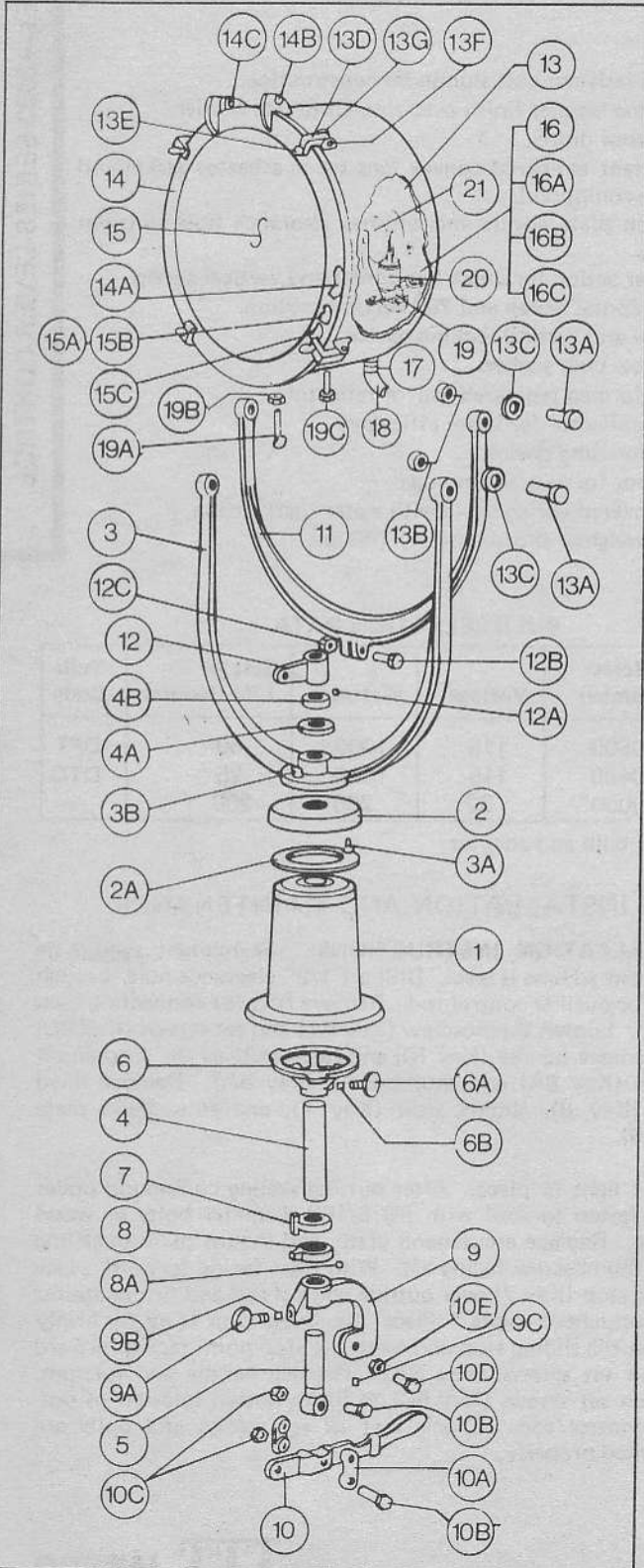
**WIRING INSTRUCTIONS:** Use stranded copper wire. For 110 volt applications, use No. 14 gauge wire for up to 75' from power source. For lengths greater than 75', a heavier gauge wire should be used. Connect green wire to ground. Wire should be fused for 15 amps.

**RELAMPING AND FOCUSING:** Loosen thumbscrews (Key 13E) and move dogs away to open door. Unscrew and remove bulb. Clean mirror and auxiliary reflector with a soft, lint-free cloth. Install new bulb. Close door and tighten thumbscrews.

Adjust focusing with thumbscrew (Key 19A) for desired beam width.

**MAINTENANCE:** Clean the bulb, lens, auxiliary reflector and main reflector periodically with a soft, lint-free cloth for best efficiency. Lubricate with all-weather grease at grease fitting. Carefully check all bolts and set screws for proper tightness.

## PARTS LIST



Key	Description	Part No.	Qty.
1	Base (includes bushing)	42051-0000	1
	Delrin bushing only	41683-0010	1
2	Trunnion adapter	42064-0000	1
2A	Fibre washer for trunnion adapter	91613-0670	1
3	Horizontal trunnion	42046-0000	1
3A	Bolts for mounting horizontal trunnion	91030-0550	4
3B	Grease fitting for horizontal trunnion	91501-0060	1
4	Outside control rod, model 42033-0150	42067-0010	1
	Outside control rod, Model 42033-0160	42067-0000	1
4A	Washer	91613-1030	1
4B	Packing nut	92202-0040	1
4B	Packing nut	92202-0040	1
5	Inside control rod, model 42033-0150	42026-0010	1
	Inside control rod, Model 42033-0160	42026-0000	1
6	Escutcheon plate	43192-0010	1
6A	Thumb-screw for escutcheon plate	92851-0120	1
6B	Nylon insert for thumbscrew tap	98022-1540	1
7	Sliding limit stop	41676-0010	1
8	Fixed stop	41674-0010	1
8A	Set screw for fixed stop	96091-0030	2
9	Lower fulcrum	42071-0000	1
9A	Thumb-screw for lower fulcrum	92851-0120	1
9B	Nylon insert for thumbscrew tap	98022-1540	1
9C	Set screws for lower fulcrum	96091-0030	2
10	Handle	42070-0000	1
10A	Links for connecting handle to inside control rod	42072-0000	2
10B	Bolts for connecting handle to inside control rod	91095-0770	2
10C	Nut for connecting handle to inside control rod	91085-0760	2
10D	Bolt for connecting handle to lower fulcrum	91095-0480	1
10E	Nut for connecting handle to lower fulcrum	91085-0760	1
11	Elevating trunnion	42048-0000	1
12	Trunnion arm	42050-0000	1
12A	Set screws for trunnion arm	96091-0030	2
12B	Bolt for connecting trunnion arm to elevating trunnion	91095-0290	1
12C	Nut for connecting trunnion arm to elevating trunnion	91085-0760	1
13	Housing	42034-0000	1
13A	Bolt for mounting housing to trunnion	91095-0780	4
13B	Nut for mounting housing to trunnion	91085-0750	8
13C	Washer for mounting housing to trunnion	91613-0620	12
13D	Dogs for clamping door	41645-0010	4
13E	Thumb-screw for dogs	92851-0130	4
13F	Dog hinge pins	91113-0020	4
13G	Pal clips for dog hinge pins	91110-0030	4
14	Door (frame only/less lens)	42043-0000	1
14A	Gasket for door	43220-0030	1
14B	Door hinge pins	91113-0040	2
14C	Pal clips for door hinge pins	35827-0000	2
15	Lens	98044-0110	1
15A	Clips for mounting lens	41649-0000	6
15B	Bolts for mounting lens	96050-0180	6
15C	Gasket for lens	43220-0020	1
16	Mirror reflector (main)	42062-0000	1
16A	Clips for mounting mirror	41642-0000	6
16B	Pads for mirror clips	43223-0000	12
16C	Bolts for mirror clips	96050-0120	6
17	Wire entrance fitting	98045-0030	1
18	Wire harness & cord (includes terminals & heat shields)	41663-0000	1
19	Focusing assembly (complete with socket, auxiliary reflector & base)	43218-0000	1
19A	Thumb-screw for focusing assembly	92851-0100	2
19B	Jam nut for thumbscrew	91085-0140	2
19C	Bolt for mounting focusing assembly	91095-0320	2
20	Socket only (mogul screw)	98041-0280	1
21	Auxiliary reflector only	42057-0000	1

Items in Parts List with lettered key numbers are supporting hardware to the basic part number (i.e. key numbers 15A, 15B and 15C should be ordered with the lens, key 15).

# ITT JABSCO

MARC Division  
International Telephone and Telegraph Corporation  
1485 Dale Way, Costa Mesa, California 92626

Telephone: (714) 545-8251