

# RAY-LINE

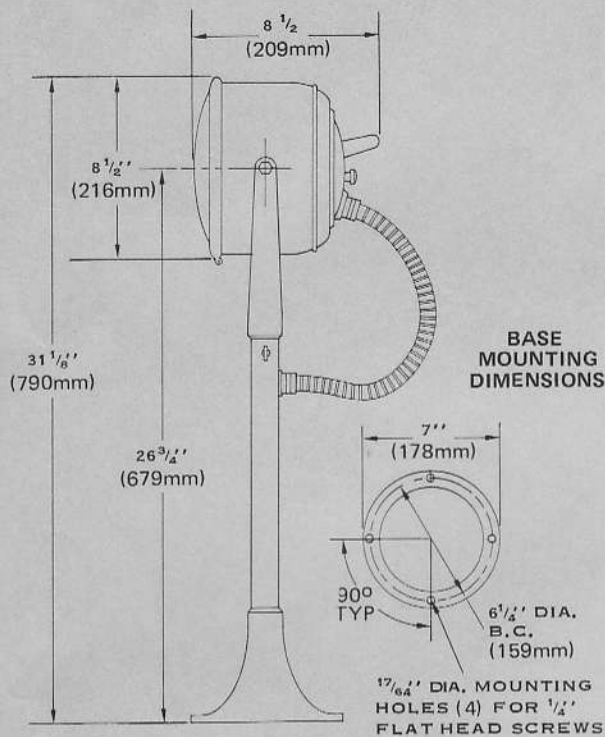
MARINE SEARCHLIGHTS

# 8" Diameter MODEL 40877-Series

STANCHION MOUNT

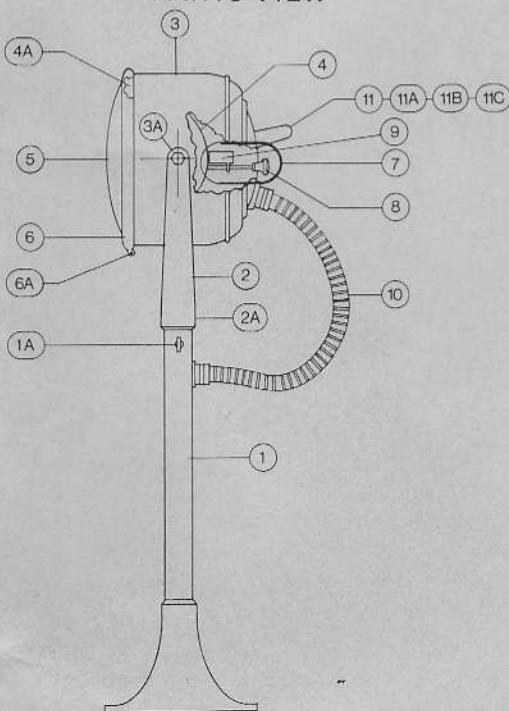
## PRODUCT DATA

### DIMENSIONAL DRAWING



WIDTH ACROSS TRUNION - 10 1/8" (257mm), MEASURED AT MOUNTING BOLTS.

### PARTS VIEW



### STANDARD MODELS

Model Number	Finish	Voltage	Amperage	Bulb Number	Beam Candle Power
40877-0020	Chrome	12	6	98039-0020	80,000
40877-0060	Chrome	32	3 1/2	98039-0060	110,000

Note: For 24 volt, order bulb number 98039-0050.

### INSTALLATION AND MAINTENANCE

**INSTALLATION INSTRUCTION:** Searchlight should be mounted so that base is level. Drill 1/2" hole for wiring. Mount light in place, feeding wire into 1/2" hole. After putting sealing compound under base, fasten base to deck with conduit fitting facing aft.

**WIRING INSTRUCTIONS:** Use stranded copper wire. For 12 volt models, use 12 gauge wire for up to 35' (10.7M) from power source. For 32 volt models, use 16 gauge wire for up to 50' (15.2M) from power source. For lengths greater than specified, a heavier gauge wire should be used.

**RELAMPING AND FOCUSING:** Remove lens clamp (Key 6) and lens (Key 5) and remove bulb by pushing in and turning to left. Install new bulb. Replace lens and clamp. Adjust focusing knob for desired beam width.

**MAINTENANCE:** Clean the bulb, reflector and lens with a soft, lint-free cloth periodically for best efficiency. Apply a coating of all-weather grease to moving parts as needed. To adjust vertical tension, loosen set screws (Key 3A) and tighten mounting bolts (Key 6A). Retighten set screws.

### PARTS LIST

Key	Description	Models	Qty.
1*	Base and Stanchion Assembly (includes connector for conduit)	40875-0020	1
1A*	Thumbscrew	92851-0060	1
2	Trunnion	43300-0020	1
2A*	Set Screws for Trunnion	96091-0010	2
3*	Housing (includes trunnion mounts, connector for conduit and control handle)	40838-0080	1
3A*	Set Screws for Housing	96091-0010	2
4*	Reflector	40548-0000	1
4A*	Cork Gasket	96010-0110	1
5*	Lens	98044-0060	1
6*	Lens Clamp	40834-0010	1
6A*	Bolt for Lens Clamp	91001-0060	1
7*	Socket & Focusing Device (incl. through-base wire)	43395-0030	1
8*	Focusing Device Only	43235-0030	1
9*	Bulb Socket Only (includes through-base wire)	40568-0000	1
10*	Conduit (includes female connectors)	40518-0020	1
11*	Handle	40796-0020	1
11A*	Bolts for Handle	91095-0600	2
11B*	Washer for Handle	91613-0680	2
11C*	Lock Washer for Handle	91613-0690	2

Items in Parts List with lettered key numbers are supporting hardware to the basic part number (i.e. key number 4A should be ordered with the reflector, key 4).

NOTE: SERVICE PARTS FOR EARLIER MODELS - The above Parts List is for lights marked with a nine digit model number (i.e. 40877-0021). Earlier models are marked with a three digit model number (i.e. 877). Only key numbers marked with an asterisk are interchangeable for all models. For service requirements on lights with three digit model numbers, where interchangeable parts are not indicated, the light should be returned to the factory, ITT Jabsco Products, 501 W. Liberty St., Springfield, Ohio 45501.

**JABSCO PRODUCTS** **ITT**

Marine and Recreation Components Division  
International Telephone and Telegraph Corporation  
1485 Dale Way, Costa Mesa, California 92626  
Telephone: (714) 545-8251

MODEL 40877-SERIES STANCHION MOUNT

