

PAR ELECTRIC MARINE TOILET

Push Button Operation

MODEL: 37010-0000 12 Volt
37010-0006 24 Volt
37010-0003 32 Volt

PRODUCT DATA



FEATURES

White Vitreous China Bowl
Baked Enamel Seat & Cover
Flexible Impeller Flush Pump
Permanent Magnet Type Motor,
Fully Enclosed, with Stainless
Steel Shaft
High Capacity Macerator and
Bowl Scavenger Pump
All Corrosion Resistant Material
for Marine Use

SPECIFICATIONS

5/8" or 3/4" Inlet, 1" or 1 1/2" Outlet
13 3/4" High, 13 3/4" Wide, 17 1/2" Deep
Back Flow Check in Discharge
12 Volt DC, 18 Amps.
24 Volt DC, 9 Amps.
32 Volt DC, 7.5 Amps.
Thru Flow Approx. 1 1/2 Qts. per
5 Seconds of Operation.

Model: 37010-0000 - 12 Volt
37010-0006 - 24 Volt
37010-0003 - 32 Volt

INSTALLATION INSTRUCTIONS

The PAR electric toilet may be installed above or below the waterline. Flush pump is self priming up to 6 feet, discharge macerator pump can operate up to 4 foot head.

Inlet and outlet seacocks should be easily accessible and be positive shut off valves. If seacocks cannot be conveniently operated from toilet location, install suitable shut off valves for inlet and discharge connections.

Base assembly may be moved 90° to accommodate connections and provide accessibility for servicing.

PLUMBING CONNECTIONS — Connect inlet hose using either 5/8" or 3/4" ID hose (a sleeve is included to adapt pump inlet from 5/8" to 3/4"). Make sure all inlet connections are air tight and free of sharp bends or restrictions.

Connect 1" or 1-1/2" hose to discharge port (Adapter 98023-0080 is included to convert discharge port to 1-1/2" I.D. hose), and make suitable connection to holding tank or other discharge system. Avoid sharp bends or restrictions.

For installations below waterline use vented loop in discharge hose about 8 inches above waterline at all angles of heel or trim.

For above waterline installations a check valve may have to be installed in the flush water intake line.

For installations above waterline make a loop in the discharge line about 8 inches above base of bowl to retain water in bowl.

WIRING HOOKUP: Wire with heavy duty stranded copper wire throughout. For 12 volt, use #12 gauge for less than 10' run; #10 gauge for up to 20' run. For 24 and 32 volt, use #14 gauge for less than 10' run; #12 gauge for up to 20' run. Complete the installation with PAR switch and fuse panel: No. 37020-0000 (12 volt), 37020-0001 (24 volt), or 37020-0002 (32 volt). If other switch is used, adequate amperage capacity is necessary: Use a 25 amp. fuse for 12 volt; 15 amp. fuse for 24 volt, or 10 amp. fuse for 32 volt.

IMPORTANT

Connect orange wire to positive circuit, and black wire to negative for proper rotation. Failure to connect wires as described will damage unit and void warranty.

ITT JABSCO

Form 43000-0083 Rev. 6/81

OPERATING INSTRUCTIONS

Make sure inlet and outlet seacocks are all open, push button to operate. Operate until bowl is completely flushed and discharge pump has scavenged water from bottom of bowl.

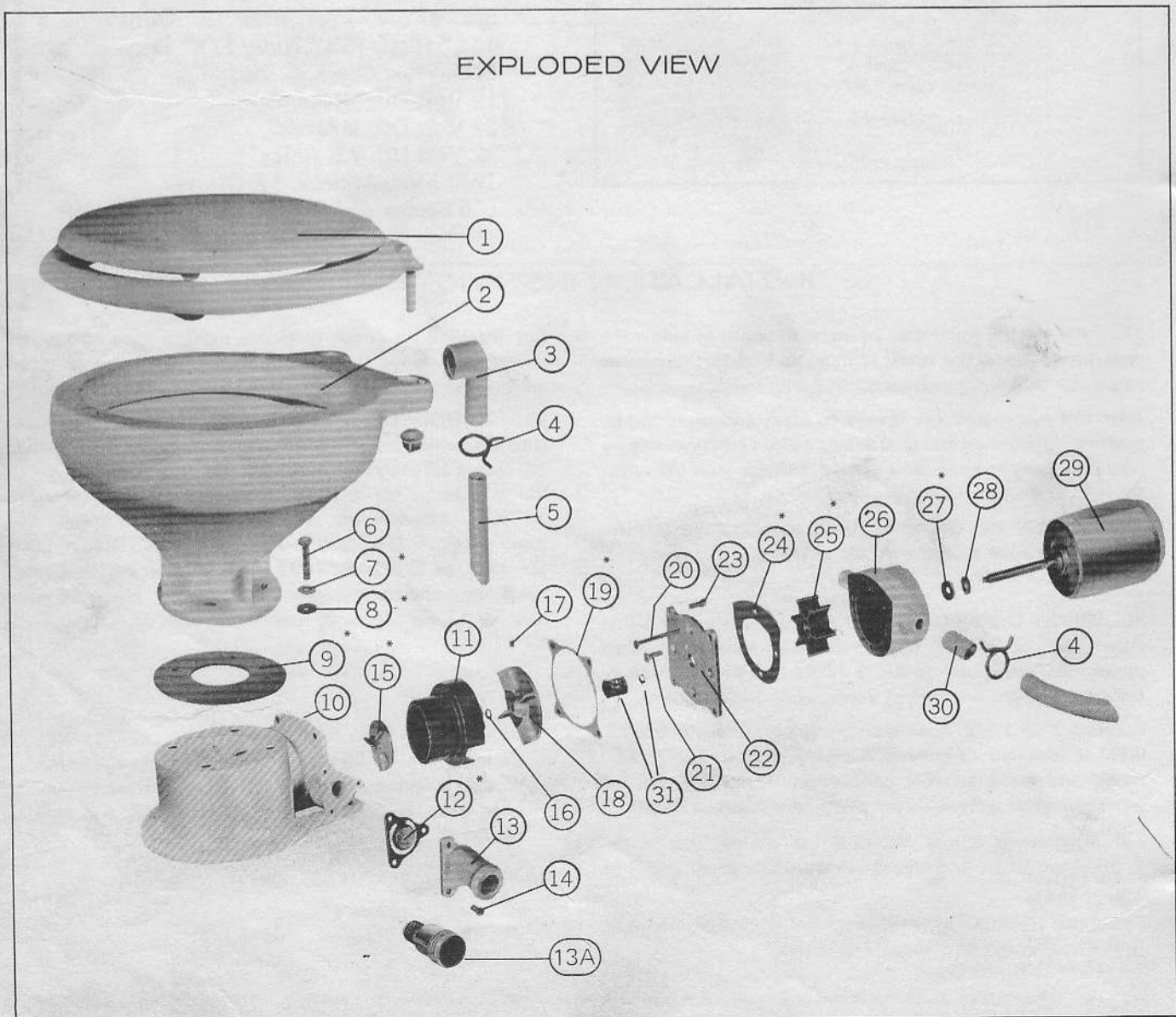
The PAR electric marine toilet will provide years of trouble-free service if properly used. It will handle waste and toilet tissue. It will NOT handle rags, sanitary napkins or hard solid objects.

If bowl does not pump out and begins to fill, partially close inlet valve until bowl is cleared and completely pumped out. Then operate for a few seconds with both valves open to clear entire toilet and discharge system. After each operation close both the inlet and outlet seacocks.

To drain for winter layup, close inlet valve and operate for a few seconds until all water is pumped out.

SERVICE INSTRUCTIONS

EXPLODED VIEW



PARTS LIST

KEY	DESCRIPTION	PART NUMBER	QTY. REQ'D
1	Seat & Cover	59127-7001	1
2	Bowl	59127-7002	1
3	Elbow	92003-0051	1
4	Clamp	93002-0160	2
5	Hose	93003-0230	1
6	Hex Head Screw	91095-0070	4
7	Washer, St. St'l*	91603-0090	4
8	Washer, Plastic*	57000-8195	4
9	Gasket*	37017-0000	1
10	Base	37004-0000	1
11	Macerator Housing	37014-0000	1
12	Flapper Valve*	37009-0000	1
13	1" Discharge Port	37015-0000	1
13A	1-1/2" Adapter, Discharge Port	98023-0080	1
14	Screw	91002-0030	3
15	Chopper Plate*	17266-0000	1
16	Washer	91602-0240	1
17	Set Screw	91084-0320	1
18	Centrifugal Impeller	37006-0000	1
19	Gasket*	37019-0000	1
20	Screw	91010-0130	2
21	Screw	91009-0040	2
22	Wearplate**,*	37018-0000	1
23	Screw	91027-0011	4
24	Gasket*	37028-0000	1
25	Flexible Impeller*	7273-0001	1
26	Body	12554-0000	1
27	Seal & Retainer*	1040-0000	1
28	Slinger	6342-0000	1
	Motor - 12 Volt	37064-0000	1
29	Motor - 24 Volt	37065-0000	1
	Motor - 32 Volt	37066-0000	1
30	Adapter	93003-0240	2
31	Shaft Sleeve**	37039-0000	1
	O'Ring Seal**		1
	Service Kit	37040-0000	

*Parts Supplied With Service Kit 37040-0000

**Wearplate #22 Includes Shaft Sleeve & O'ring #31

DISASSEMBLY INSTRUCTIONS

Disconnect Pump inlet, outlet and discharge hoses. Remove four screws, Key #23, pull out complete motor, pump and macerator assembly. If assembly does not slide out easily, push forward and pull back sharply several times to free macerator housing from base.

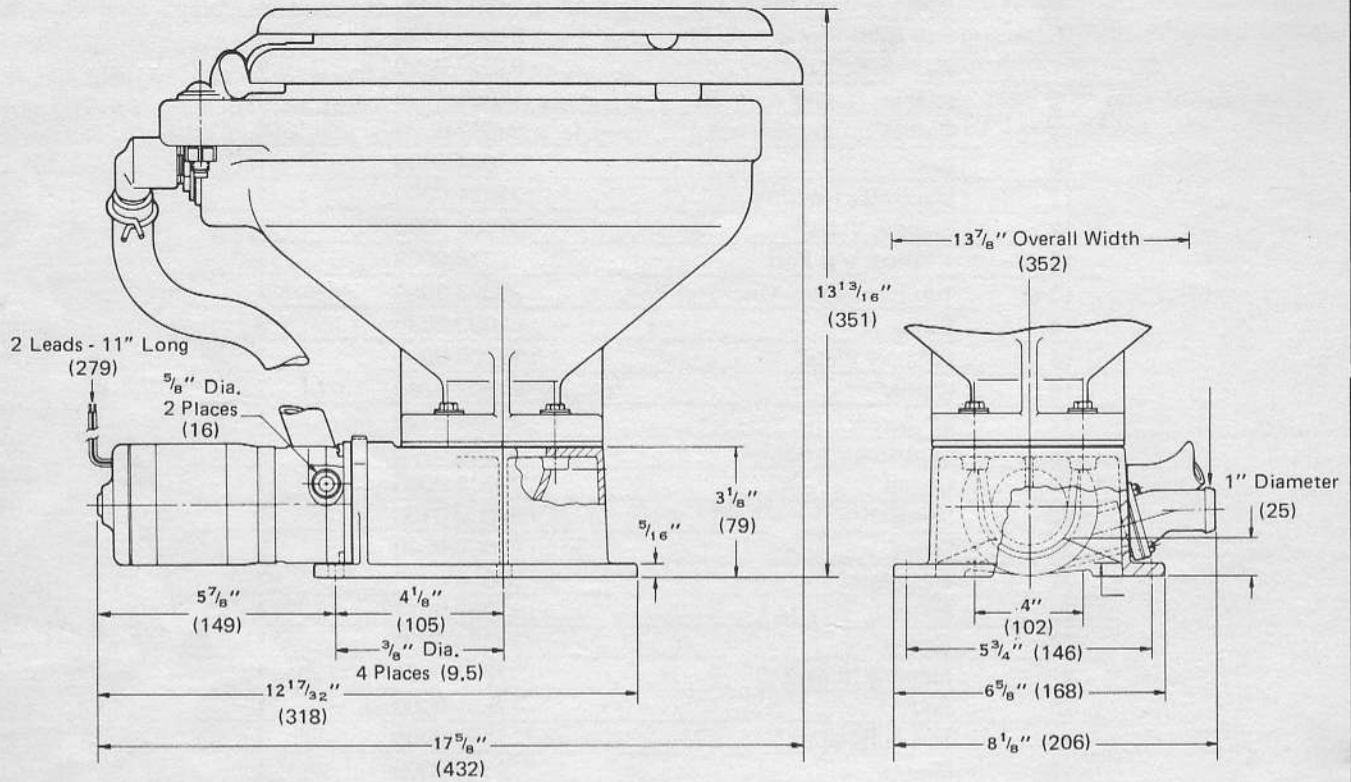
Remove discharge port, Key #13, and check valve. Unscrew chopper plate, Key #15, by turning counterclockwise, facing plate. Prevent shaft from turning by placing screwdriver in discharge port and locking centrifugal impeller blade. Remove macerator housing. Loosen impeller set screw and slide shaft sleeve and impeller off motor shaft.

Remove four flathead screws, Key #20 & 21, wearplate, Key #22; gasket, Key #24. Slide pump assembly off motor shaft. Replace all worn or damaged parts, clean remaining parts.

REASSEMBLY INSTRUCTIONS

Press seal into body with lip facing impeller, be careful not to cock seal in bore. Install pump body on motor and position on register, lubricate impeller bore with pump grease. Put O'ring into wearplate groove. Install impeller, gasket and wearplate. Make sure gasket surfaces are clean and smooth. Tighten wearplate screws. Slide shaft sleeve onto shaft until it seats against rubber impeller (#25). Relocate centrifugal impeller against sleeve on shaft and tighten set screw. Place macerator housing over shaft and impeller, put lock washer on end of shaft and screw chopper plate on shaft and tighten. Install gasket on wearplate surface, a little grease will help hold in place, make sure inside body surfaces are clean, line up slot in body with key on macerator housing, slide assembly into body and tighten with the four screws. Turn motor on for one of two seconds to be sure centrifugal impeller is free.

DIMENSIONAL DRAWING
INCHES (MILLIMETERS)



ITT JABSCO

MARC Division
International Telephone and Telegraph Corporation
1485 Dale Way, Costa Mesa, California 92626
Telephone: (714) 545-8251