

PAR ELECTRIC MARINE TOILET

Push Button Operation

MODEL: 37010-0000 12 Volt
37010-0006 24 Volt
37010-0003 32 Volt

PRODUCT DATA



FEATURES

Simple Push Button Operation
White Vitreous China Bowl
Baked Enamel Seat & Cover
Flexible Impeller Flush Pump
Permanent Magnet Type Motor,
Fully Enclosed, with Stainless
Steel Shaft
High Capacity Macerator and
Bowl Scavenger Pump
All Corrosion Resistant Material
for Marine Use

SPECIFICATIONS

5/8" or 3/4" Inlet, 1" or 1 1/2" Outlet
13 3/4" High, 13 3/4" Wide, 17 1/2" Deep
Back Flow Check in Discharge
12 Volt DC, 18 Amps.
24 Volt DC, 10 Amps.
32 Volt DC, 7.5 Amps.
Thru Flow Approx. 1 1/2 Qts. per
5 Seconds of Operation.

Model: 37010-0000 - 12 Volt
37010-0006 - 24 Volt
37010-0003 - 32 Volt

INSTALLATION INSTRUCTIONS

The PAR electric toilet may be installed above or below the waterline. Flush pump is self priming up to 6 feet, discharge macerator pump can operate up to 4 foot head.

Inlet and outlet seacocks should be easily accessible and have positive shut off valves. If seacocks can not be conveniently operated from toilet location, install suitable shut off valves for inlet and discharge connections.

Base assembly may be moved 90° to accommodate connections and provide accessibility for servicing.

Securely fasten all four mounting feet on flat surface.

PLUMBING CONNECTIONS —
Connect inlet hose using either 5/8" or 3/4" ID hose (a sleeve is

included to adapt pump inlet from 5/8" to 3/4"). Make sure all inlet connections are air tight and free of sharp bends or restrictions.

Connect 1" or 1 1/2" hose to discharge port (Adapter 98023-0080 is included to convert discharge port to 1 1/2" I.D. hose), and make suitable connection to holding tank or other discharge system. Avoid sharp bends or restrictions.

For installations below waterline use vented loop in inlet hose about 8 inches above waterline at all angles of heel or trim. Vented loop should also be used for discharge if connected to thru-hull fitting.

For installations above waterline make a loop in the discharge line about 8 inches above base of bowl to retain water in bowl.

WIRING HOOKUP: Wire with heavy duty stranded copper wire throughout. For 12 volt, use #12 gauge for less than 10'; #10 gauge for up to 20'. For 24 and 32 volt, use #14 gauge for less than 10'; #12 gauge for up to 20'. Complete the installation with PAR switch and fuse panel: #37020-0000 (12 volt), 37020-0001 (24 volt), or 37020-0002 (32 volt). If other switch is used, adequate amperage capacity is necessary: Use a 25 amp. fuse for 12 volt; 20 amp. fuse for 24 volt, or 10 amp. fuse for 32 volt.

IMPORTANT

Connect orange wire to positive circuit, and black wire to negative for proper rotation. Failure to connect wires as described will damage unit and void warranty.

See dimensional drawing on back page for mounting & outline dimensions.

JABSCO PRODUCTS **ITT**

Form 43000-0083 Rev. 7-75

OPERATING INSTRUCTIONS

Make sure inlet and outlet sea-cocks or valves are all open, push button to operate. If anti-syphon loops are used, hold fingertip over inlet vent for initial priming. Operate until bowl is completely flushed and discharge pump has scavenged water from bottom of bowl.

The PAR electric marine toilet will provide years of trouble-free service if properly used. It will handle waste and toilet tissue. It will NOT handle rags, sanitary napkins or hard solid objects.

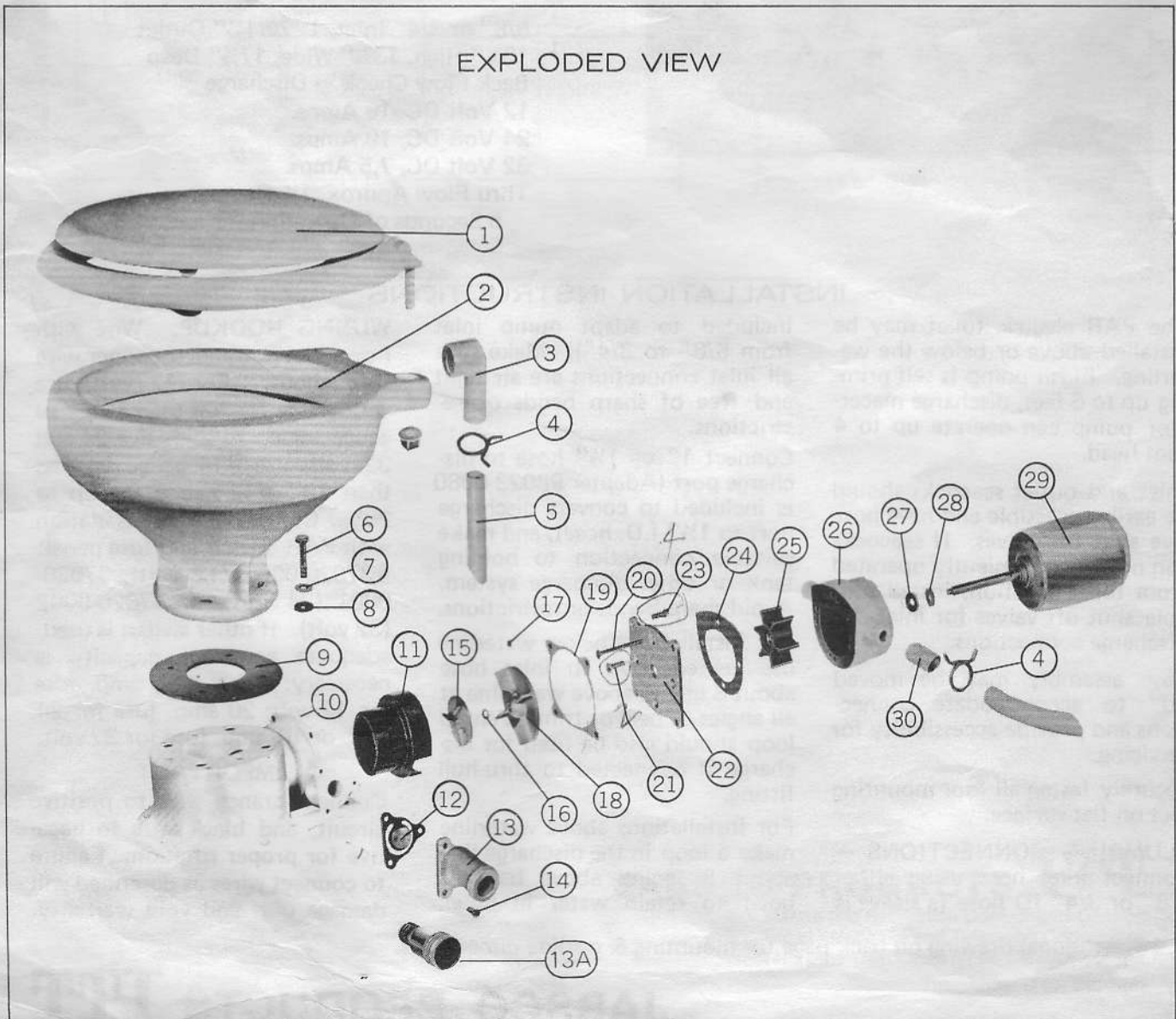
If bowl does not pump out and begins to fill, partially close inlet valve until bowl is cleared and

completely pumped out. Then operate for a few seconds with both valves open to clear entire toilet and discharge system. After each operation close both the inlet and outlet sea-cocks or valves.

To drain for winter layup, close inlet valve and operate for a few seconds until all water is pumped out.

SERVICE INSTRUCTIONS

EXPLODED VIEW



PARTS LIST

KEY	DESCRIPTION	PART NUMBER	QTY. REQ'D
1	Seat & Cover	59127-0001	1
2	Bowl	59127-7002	1
3	Elbow	59127-7030	1
4	Clamp	93002-0160	2
5	Hose	93003-0230	1
6	Hex Head Screw	91095-0070	4
7	Washer, St. St'l	91603-0090	4
8	Washer, Plastic	50000-7007	4
9	Gasket	37017-0000	1
10	Base	37004-0000	1
11	Macerator Housing	37014-0000	1
12	Flapper Valve	37009-0000	1
13	1" Discharge Port	37015-0000	1
13A	1½" Adapter, Discharge Port	98023-0080	1
14	Screw	91002-0030	3
15	Chopper Plate	17266-0000	1
16	Washer	91602-0240	1
17	Set Screw	91084-0320	1
18	Centrifugal Impeller	37006-0000	1
19	Gasket	37019-0000	1
20	Screw	91010-0130	2
21	Screw	91009-0040	2
22	Wearplate	37018-0000	1
23	Screw	91003-0230	4
24	Gasket	12558-0000	1
25	Flexible Impeller	6303-0003	1
26	Body	12554-0000	1
27	Seal	92700-0910	1
28	Slinger	6342-0000	1
29	Motor - 12 Volt	37064-0000	1
	Motor - 24 Volt	37065-0000	1
	Motor - 32 Volt	37066-0000	1
30	Adapter	93003-0240	2

DISASSEMBLY INSTRUCTIONS

Disconnect Pump inlet, outlet and discharge hoses. Remove four screws, Key #23, pull out complete motor, pump and macerator assembly. If assembly does not slide out easily, push forward and pull back sharply several times to free macerator housing from base.

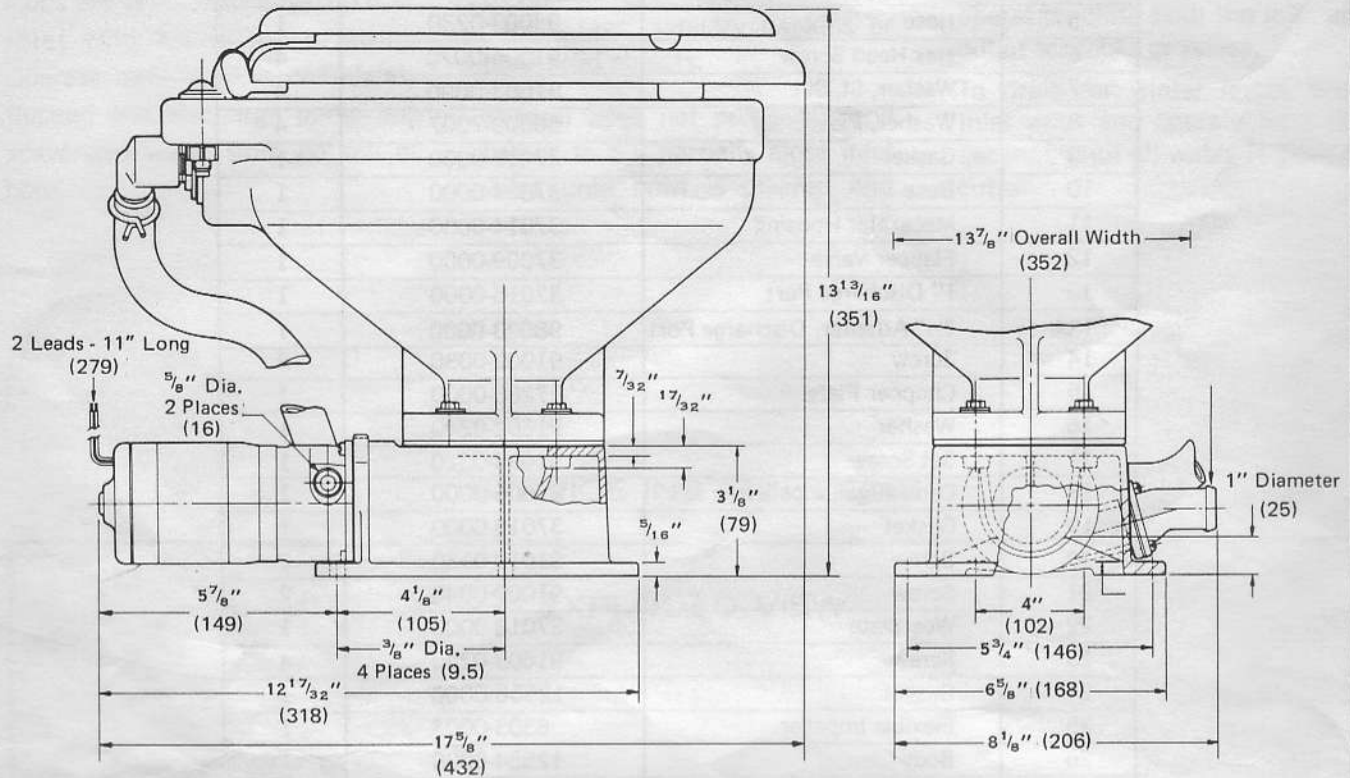
Remove discharge port, Key #13, and check valve. Unscrew chopper plate, Key #15, by turning counterclockwise, facing plate. Prevent shaft from turning by placing screwdriver in discharge port and locking centrifugal impeller blade. Remove macerator housing. Mark location of centrifugal impeller on shaft. Loosen impeller set screw and slide impeller off motor shaft.

Remove four flathead screws, Key #20 & 21, wearplate, Key #22, gasket, Key #24. Slide pump assembly off motor shaft. Replace all worn or damaged parts, clean remaining parts.

REASSEMBLY INSTRUCTIONS

Press seal into body with lip facing impeller, be careful not to cock seal in bore. Install pump body on motor and position on register, lubricate impeller bore with pump grease. Install impeller, gasket and wearplate. Make sure gasket surfaces are clean and smooth. Tighten wearplate screws. Relocate centrifugal impeller in same position on shaft and tighten set screw. It is important that the impeller be exactly in the same position, otherwise, it will be jammed when motor assembly is installed on body. Impeller should have .010" space between wearplate and rear surface of impeller. Place macerator housing over shaft and impeller, put lock washer on end of shaft and screw chopper plate on shaft and tighten. Install gasket on wearplate surface, a little grease will help hold in place, make sure inside body surfaces are clean, line up slot in body with key on macerator housing, slide assembly into body and tighten with the four screws. Turn motor on for one or two seconds to be sure centrifugal impeller is free.

DIMENSIONAL DRAWING



Parenthesis indicate metric dimensions.

JABSCO PRODUCTS **ITT**

Marine and Recreation Components Division
International Telephone and Telegraph Corporation
1485 Dale Way, Costa Mesa, California 92626

Telephone: (714) 545-8251