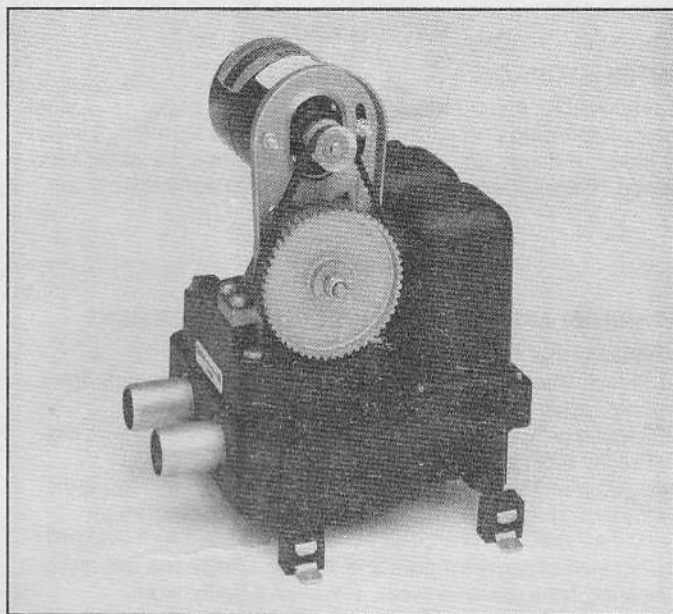


PAR[®]

Model 34600-SERIES



ELECTRIC BILGE PUMPS FEATURES

- Self-Priming
- Diaphragm Design Allows Dry Running
- Quiet Operation
- Large Surge Chamber for Even Water Flow
- Permanently Lubricated Ball Bearings on Shaft and Connecting Rod
- Large Vibration Absorbing Pads
- Corrosion Resistant Materials Throughout for Sea Water Service

This pump meets the following US Coast Guard Regulations:

- Electrical Requirements (Title 33, Chapter I, Subpart 183.410) for Pleasure Craft.
- Flow Requirements (Title 46, Chapter I, Subchapter T, Section 182.25-10) for Small Passenger Vessels.

This pump listed as NMMA accepted.

Model 34600-SERIES

SPECIFICATIONS

Open Flow:	10.8 GPM
Vert. Dry Suction Lift:	10 feet (3m)
Ports:	1" Slip-on Hose
Weight:	13 Lb (5.9 kg)

APPLICATION

PAR diaphragm pumps are self-priming so that they can be mounted above and outside of harsh bilge environments. Because they are mounted remotely, the intake hose can be routed to the lowest point of the bilge regardless of space limitations. The reliable diaphragm design is not damaged by dry running.

STANDARD MODELS

Model	Voltage	Amperage Nominal
34600-0000	12 Vdc	9.5
34600-0010	24 Vdc	4.5
34600-0020	32 Vdc	3.0
34600-0031	115 Vac	1.0

INSTALLATION

MOUNTING

Pump must be mounted in a dry location, the motor is not water-proof. Selection of a dry, cool ventilated location will generally extend pump life. Adjust belt tension for 1/4 inch play between pulleys.

PLUMBING

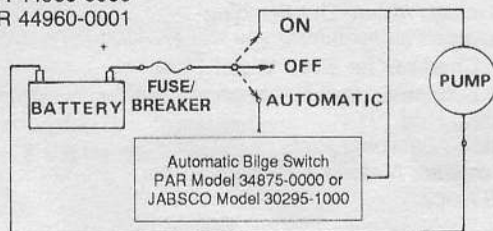
For intake and discharge use 1" I D non-collapsible hose. Keep intake and discharge lines free of kinks and restrictions. For separate pump-out of fore and aft bilge compartments, use ball valves to shut off dry compartment. Use a 1" bilge strainer (PAR Model 35890-0010) in the intake line from the bilge to protect pump from debris.

WIRING - DC VOLTAGE MODELS

Wire pump in a circuit independent of all other electrical fixtures. Use stranded copper wire. Install fuse/breaker in positive circuit. See table for recommended wire and fuse size. See diagram for wiring connections. Use a 10 amp-rated switch (PAR 44960-0000). After installation, it is recommended that voltage be checked at the motor terminals with motor operating under full load and all other appliances in the circuit operating. Voltage should not be less than 90% of rated motor voltage.

WIRING DIAGRAM FOR MANUAL - AUTOMATIC OPERATION

3-WAY SWITCH
NO. 96070-0110
OR 44960-0000
OR 44960-0001



WIRING - AC VOLTAGE MODEL

Use 16 gauge standard copper wire for lengths up to 100 feet from power source. Connect the grounded, unswitched conductor (white) to the white motor lead. Connect the ungrounded switched conductor (black) to the black motor lead. This conductor should include, at the power source, a 1.5 amp 125 Volt fuse. The green motor lead must be connected to the AC circuit ground.

Model Number	Voltage	Wire Size for Length of Run		Fuse/Breaker*
		1-25 feet	25-50 feet	
34600-0000	12 Vdc	12 AWG	10 AWG	15 amp
34600-0010	24 Vdc	14 AWG	14 AWG	8 amp
34600-0020	32 Vdc	16 AWG	14 AWG	5 amp
34600-0031	115 Vac	16 AWG	16 AWG	1 1/2 amp

*Customer supplied, not included with pump.

TROUBLESHOOTING

PROBLEMS

Loss of suction to pump.

CAUSES

- Air leak in suction line.
- Bilge pickup not submerged.
- Intake hose kinked or plugged.
- Fouled intake or discharge valve.

Rough or noisy operation.

- Intake or discharge hose kinked or plugged.
- Pump not mounted firmly.
- Loosened eccentric screw.

MAINTENANCE

WINTER STORAGE:

When possible, it is preferred that the complete pump or at least motor, diaphragm and valves be removed and stored in a warm dry place. If this is not possible, the pump must be completely drained, hoses removed and pump run until all water is expelled.

SERVICE

DIAPHRAGM AND CONNECTING ROD REPLACEMENT

1. Remove four tie down bolts.
2. Lift jack shaft and the attached diaphragm assembly from pump base.
3. Remove two diaphragm retainer screws and the bottom diaphragm retainer.
4. Remove nut holding connecting rod to jackshaft. Remove connecting rod and diaphragm from the top diaphragm retainer, then unscrew bolt to separate diaphragm and plates.
5. Check diaphragm for cuts and cracks. Check rod assembly bearing for excessive wear. Replace if badly worn.
6. Loosely reassemble diaphragm, diaphragm plates, connecting rod spacer and diaphragm bolt onto connecting rod.
7. Firmly secure connecting rod to jack shaft with the lock nut. Secure diaphragm to upper diaphragm retainer with the bottom diaphragm retainer and two screws.
8. Tighten connecting rod bolt.
9. Replace motor-mount-diaphragm assembly and fasten evenly to base with the four tie down bolts and washers.

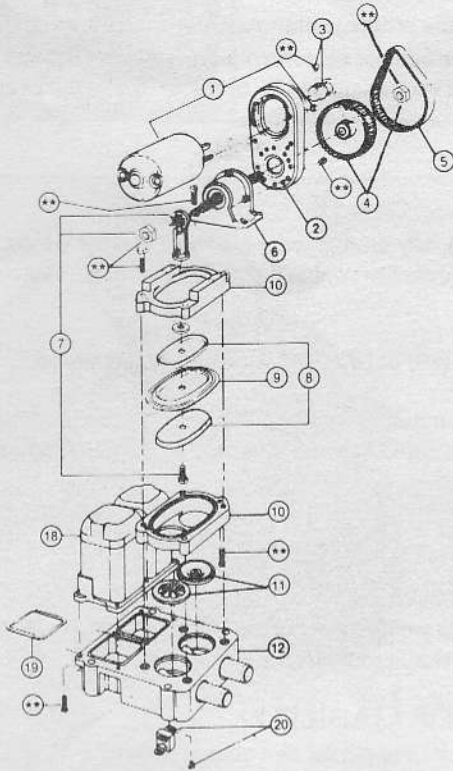
VALVE REPLACEMENT

1. Turn off power to pump. Remove four tie down bolts.
2. Expose valves by lifting jack shaft and attached diaphragm assembly from pump base. Remove and clean or replace valves.
3. Install valves, making sure rubber flapper is UP on intake and DOWN on discharge.
4. Replace motor-mount-diaphragm assembly and fasten evenly to base with the four tie down bolts and washers.

SURGE CHAMBER GASKET REPLACEMENT

1. Remove six surge chamber screws and lift off the surge chamber. Remove and replace two gaskets.
2. Replace the surge chamber and six screws. Tighten evenly to ensure an air and water seal.
3. Reinstall and reconnect power leads.

EXPLODED VIEW



** Indicates items included in Hardware Kit (Key 21).

PARTS LIST – 34600-Series

Key	Part Description	Part Number	Qty.
1	Motor Kit 12 Volt dc ..	30200-0000	1
	Motor Kit 24 Volt dc ..	30200-0010	
	Motor Kit 32 Volt dc ..	30200-0020	
	Motor Kit 115 Volt ac .	30200-0031	
2	Motor Mount	34628-0000	1
3	Small Pulley	37169-0000	
4	Large Pulley	37170-0001	
5	Belt	30021-0000 *	1
6	Jack Shaft Assembly ...	35037-0001 - See Note 1	
7	Connecting Rod Kit	37172-0001 - See Note 1 ...	1
8	Diaphragm Plates	34640-0000 -Top	1
		34637-0000 -Bottom ...	1
9	Diaphragm	30012-0000 *	1
10	Retainer	34633-0000 -Top	1
		34634-0000 -Bottom ...	1
11	Valve Set (Inlet & Outlet)	30002-0000 *†	1 Set
12	Base Assembly†	34623-0000 †	1
18	Surge Chamber	34635-0000	
19	Gaskets	37181-0000	1 Set
20	Vibration Pad Kit	37180-0000 †	1 Set
21	Hardware Kit	37164-0001	1 Set
	Service Kit*	30101-0000	

*Indicates Parts Contained in Service Kit.

†Indicates Parts Supplied with Base Assembly.

NOTE 1 – Jack shaft assembly kit, with part number ending in -0001 includes new style connecting rod (37173-0001) with a 5/16" diameter hole and two (2) locknuts. Previous model pumps use a connecting rod (37173-0000) with a 1/4" diameter hole and a bolt.

PAR MARINE SWITCH PANELS

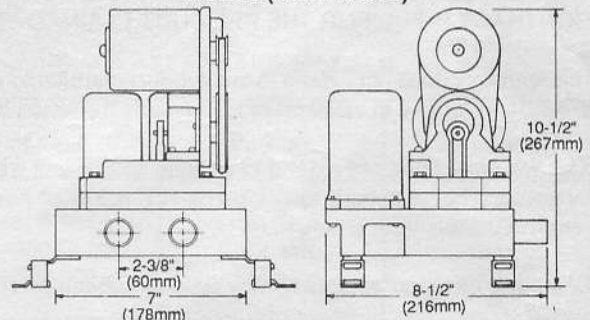


44960-0000
LIGHTED SWITCH
W/BOOT SPDT
(DC APPLICATIONS ONLY)

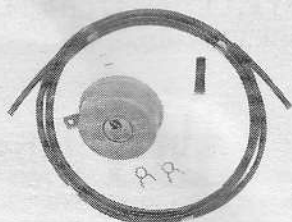


44960-0001
UNLIGHTED
SPDT
(AC OR DC APPLICATIONS)

DIMENSIONAL DRAWING
inches (millimeters)



AUTOMATIC BILGE PUMP CONTROLS



PAR MODEL 34875-0000
HYDRO-AIR SWITCH
(AC OR DC APPLICATIONS)



30295-1000
JABSCO MODELS
FLOAT SWITCH
(DC APPLICATIONS ONLY)

One Year Limited Warranty

A. LIMITED WARRANTY: ITT warrants that at the time of shipment, the products manufactured by ITT and sold hereunder shall be in conformity with applicable written specifications and descriptions referred to or set forth herein, free from defects in material and workmanship, merchantable, and suitable for a particular purpose, provided such is implied by State law under the circumstances of this sale.

B. WARRANTY ADJUSTMENT:

1. ITT agrees to repair or furnish a replacement for, but not to remove or install, any product or component thereof which, within one (1) year from date of purchase, shall upon test and examination by ITT prove defective within the above warranty. Receipt verifying purchase date is required to obtain adjustment.
2. Buyer shall notify ITT of any defect within this warranty no later than ninety (90) days after the defect is discovered.
3. No product will be accepted for return or replacement without the prior written authorization of ITT. Upon such authorization, and in accordance with instructions from ITT, the product will be returned to ITT, shipping charges prepaid by Buyer. Products returned to ITT will be addressed as follows:

ITT JABSCO
1485 Dale Way
Costa Mesa, California 92626-3998

Or to such alternate locations as may be designated on the product, its container, or this sheet.
Repair or replacement made under this warranty will be shipped prepaid to Buyer.

C. EXCLUSIONS FROM WARRANTY AND LIMITATION OF LIABILITY:

1. The foregoing warranty is limited solely as set forth herein and applies only for the period designated above.
2. ITT SHALL NOT BE LIABLE FOR ANY LOSS, DAMAGE, SPECIAL OR CONSEQUENTIAL DAMAGE OF ANY KIND, WHETHER BASED UPON WARRANTY, CONTRACT, NEGLIGENCE, OR STRICT LIABILITY ARISING IN CONNECTION WITH THE SALE, USE, OR REPAIR OF THE PRODUCT.
3. THE MAXIMUM LIABILITY OF ITT IN CONNECTION WITH THIS WARRANTY SHALL NOT IN ANY CASE EXCEED THE CONTRACT PRICE FOR THE PRODUCT CLAIMED TO BE DEFECTIVE OR UNSUITABLE.
4. This warranty does not extend to any product manufactured by ITT which has been subjected to misuse, neglect, accident, improper installation, or use in violation of instructions furnished by ITT.
5. This warranty does not extend to or apply to any unit which has been repaired or altered at any place other than ITT's factory, or by persons not expressly approved by ITT, nor to any unit the serial number, model number, or identification of which has been removed, defaced or changed.
6. Components manufactured by any supplier other than ITT shall bear only that warranty made by the manufacturer of that product.
7. This warranty applies to products defined as "consumer products" by the Consumer Product Warranties Act as from time to time amended.

D. CONSUMER RIGHTS: This warranty gives you specific legal rights, and you may have other rights which vary from state to state. Some states do not allow exclusion or limitation of damages.

STANDARD WARRANTY: If the products manufactured and sold hereunder are not Consumer Products, the warranty extended to Buyer shall be as set forth in subparagraphs (A), (B), and (C), **EXCEPT THAT ALL EXPRESS OR IMPLIED WARRANTIES OR MERCHANTABILITY OR SUITABILITY FOR ANY PARTICULAR PURPOSE ARE EXCLUDED.**

ITT Jabsco

ITT Fluid Technology Corporation
1485 Dale Way, P.O. Box 2158, Costa Mesa, CA 92628-2158
Tel: (714) 545-8251; Fax: (714) 957-0609
Bingley Road, Hoddesdon, Hertfordshire EN11 0BU England
Tel: 0992-467191; Tlx: 263251 G; Fax: 0992-467132