

NOTES: UNLESS OTHERWISE SPECIFIED.

1. DIMENSIONS IN [] ARE IN MILLIMETERS.
2. THE SERVICE KIT FOR THIS PUMP IS 90135-0001.
3. STAMP END COVER, ITEM 5, WITH PUMP MODEL NO.

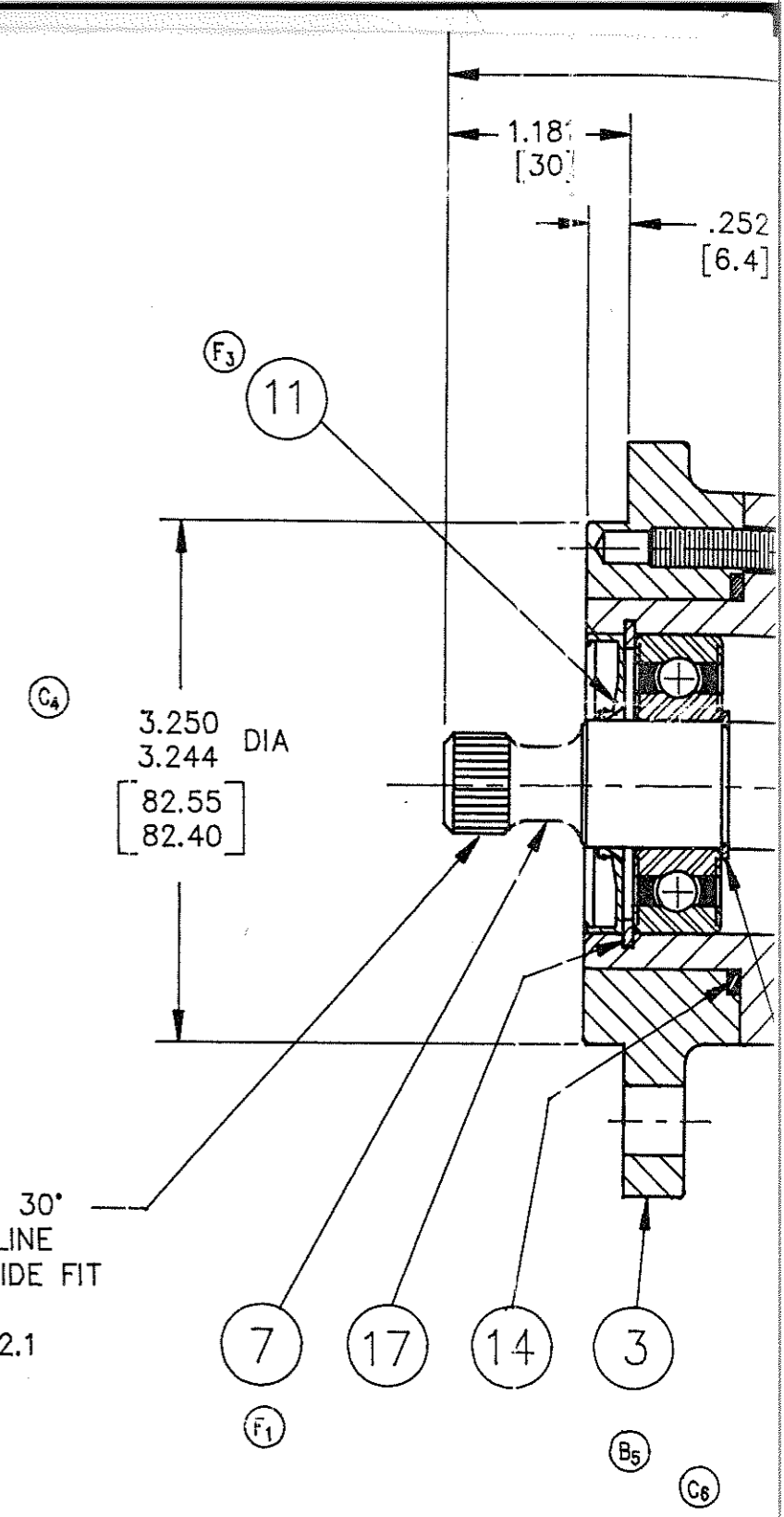
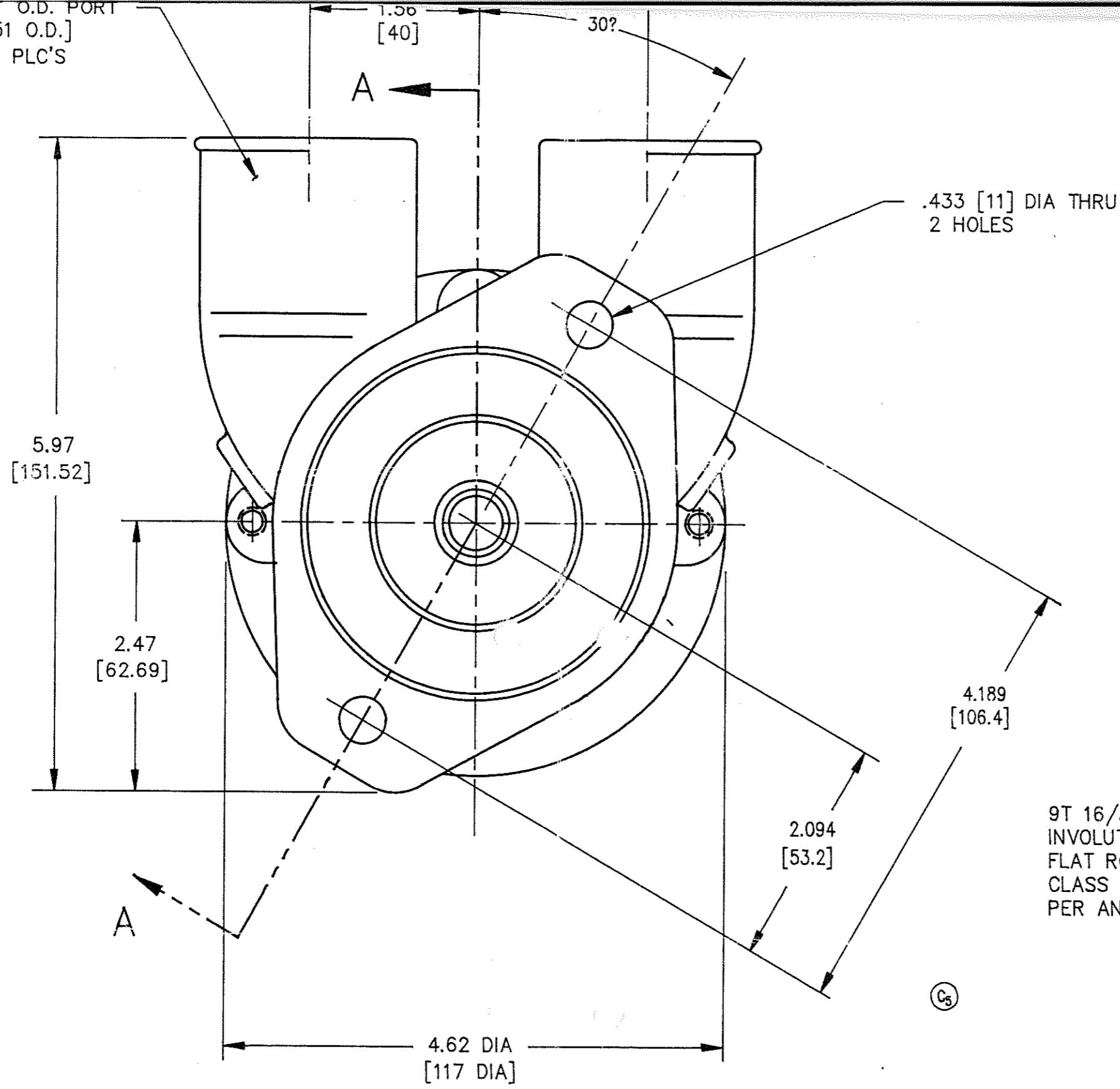
ITEM	REQUIRED TORQUE	REMARKS
19	65-70 IN/LBS	ADAPTOR SCREWS
20	65-70 IN/LBS	4 END COVER SCREW
20	45-50 IN/LBS	1 CAM SCREW

SECTION A-A

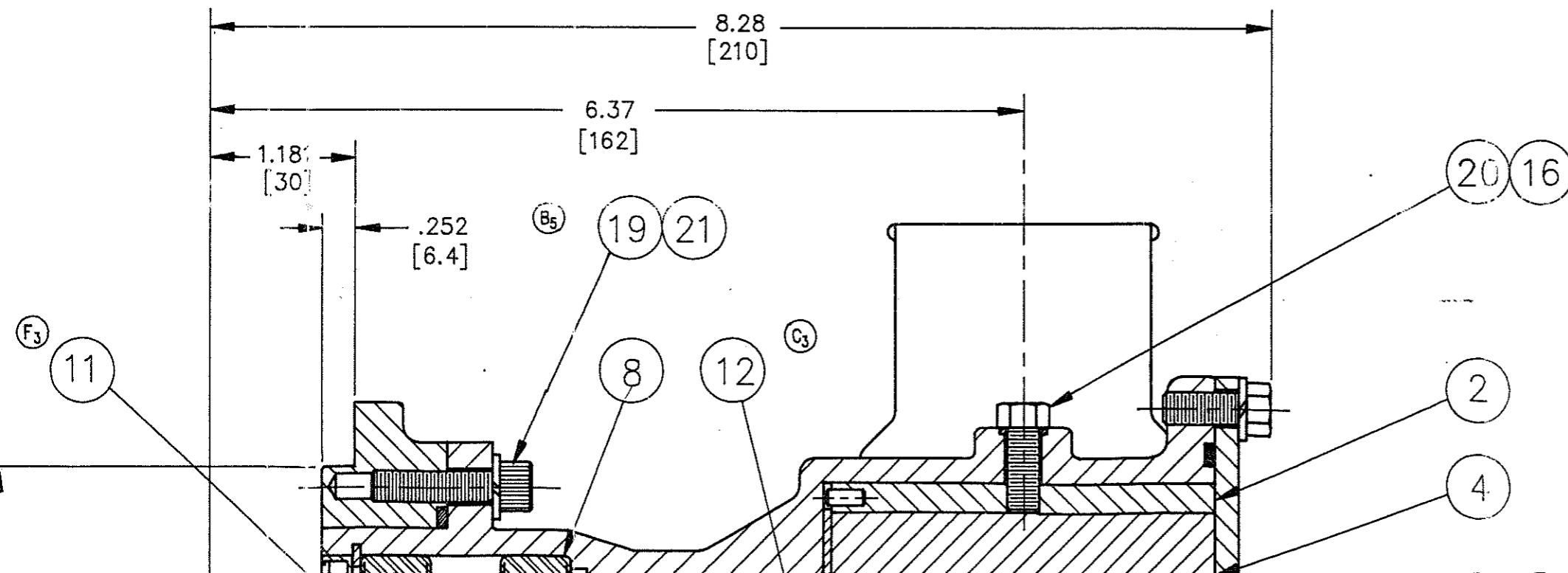
UNLESS OTHERWISE SPECIFIED ALL DIMENSIONS ARE IN INCHES TOLERANCES .XX=± — .XXX=± — ANGULAR± —	MATERIAL SPEC		A UNIT OF ITT FLUID TECHNOLOGY CORPORATION 1485 DALE WAY, COSTA MESA, CALIFORNIA		
	APPROVALS	DATE	65 GPM PUMP FLANGE MOUNT PROJECT NO. 0395 DWG NO. 30890-0001 EWR NO. 90-056		
DRAWN					
CHECKED					
THIS DOCUMENT CONTAINS PROPRIETARY INFORMATION OF ITT JABSCO. THIS DOCUMENT IS ISSUED IN STRICT CONFIDENCE AND SHALL NOT BE DISCLOSED TO A THIRD PARTY OR USED FOR MANUFACTURE, PRODUCTION OR PROCUREMENT WITHOUT THE EXPRESS WRITTEN PERMISSION OF ITT.		H. VU 9-23-90 C.E. SMALL 10-8-90 K.A. HOTZ 10-8-90	DO NOT SCALE DRAWING	SCALE	SHEET

Ⓛ₂

2" O.D. PORT
[51 O.D.]
2 PLC'S



DATE	CHG LT	REVISIONS	REF	BY	CK	APP
9-26-90	A1	RELEASE AT M-41	3315	HV	CES	KH
11-2-90	B1	IT 16, WAS 91040-0042	3343	HV	CES	KH
"	B2	DELETED IT. 18, 91613-1426	"	"	"	"
"	B3	ITEM 18 WAS 19	"	"	"	"
"	B4	WAS 130-138 IN/LBS (IT 16)	"	"	"	"
"	B5	CORRECTED PICT. (IT 1, IT 3, IT 16)	"	"	"	"
12-11-90	C1	96080-0495 WAS 96080-0484	3356	HV	CES	KH
"	C2	ADDED 96080-0496 (IT 10)	"	"	"	"
"	C3	ADDED 30897-0000 (IT 11)	"	"	"	"
"	C4	WAS 3.228/3.228 [82.00/81.95] DIA	"	"	"	"
"	C5	CORRECTED PICT. & DIMS	"	"	"	"
"	C6	REVISED BALLOON ITEMS	"	"	"	"
2-5-91	D1	ADDED NOTE 2.	3391	CES	CES	KH
"	D2	ADDED NOTE F/D	"	"	"	"
8-28-91	E1	RELEASE AT M-60	3563	CES	CES	JS
1-22-92	F1	ITEMS #1 & 7 REVISED PICT.	3652	JN	CES	KH
"	F2	ITEMS 12-21 WAS 11-20	"	"	"	"
"	F3	ADDED NEW ITEM 11	"	"	"	"
6-9-92	G1	NOTE \triangle 3 ADDED	3802			



NOTES: UNLESS OTHERWISE SPECIFIED.

1. DIMENSIONS IN [] ARE IN MILLIMETERS.

\odot_1 2. THE SERVICE KIT FOR THIS PUMP IS 90135-0001.

\odot_1 \triangle 3. STAMP END COVER, ITEM 5, WITH PUMP MODEL NO.

ITEM	PART NO.	DESCRIPTION	QTY	REMARKS
1	30901-0000	BODY	1	
2	30929-0000	CAM, SUB-ASSY	1	
3	30902-0000	ADAPTOR	1	
4	30919-0101	IMPELLER	1	
5	30914-0000	END COVER	1	
6	30915-0000	WEARPLATE	1	
7	30903-0000	SHAFT	1	
8	92600-0530	BEARING, BALL	2	
9	96080-0495	SEAL, MECHANICAL	1	
10	96080-0496	SEAL SEAT	1	
11	92700-1034	SEAL, LIP	1	
12	30897-0000	SPACER	1	
13	92000-0980	O-RING	1	
14	92000-1338	O-RING	1	
15	92000-6560	O-RING	1	
16	92000-0020	O-RING	1	
17	91701-4444	RING, RETAINING, INTERNAL	1	
18	91700-3012	RING, RETAINING, EXTERNAL	3	
19	93005-0181	SCREW, SOCKET HD, M6 X 1.00 X 25	6	
20	91040-0039	SCREW, HEX HD, M6 X 1.0 X 16	5	
21	91613-1427	WASHER, SPLIT LOCK M6	10	
	19012-0000	CARTON	1	

- (C₁)
- (C₂)
- (F₃)
- (C₃) (F₂)
- (B₁)
- (B₂) (B₃)

