

Models 30460-0012 30490-0012

12 VOLT IN-LINE BLOWER FEATURES

- Tough Fire Retardant ABS Plastic Housing will not support flame
- Mounts in any position to any flat surface
- Slip-On Inlet and Outlet Ducting Connections
- Efficient High Volume Air Flow
- Continuous Duty
- Low Current Draw
- Corrosion-Resistant Materials Throughout
- Complies with ISO 9097 MARINE
- N.M.M.A. Type Accepted
- Meets USCG Regulation 183.410 and ISO 8846 MARINE for Ignition Protection
- Shipping Weight 2 lb (0,9 kg)

MODELS AVAILABLE

30460-0012	3" Port 140 CFM (3,9 m ³ /min.)
30490-0012	4" Port 240 CFM (6,7 m ³ /min.)

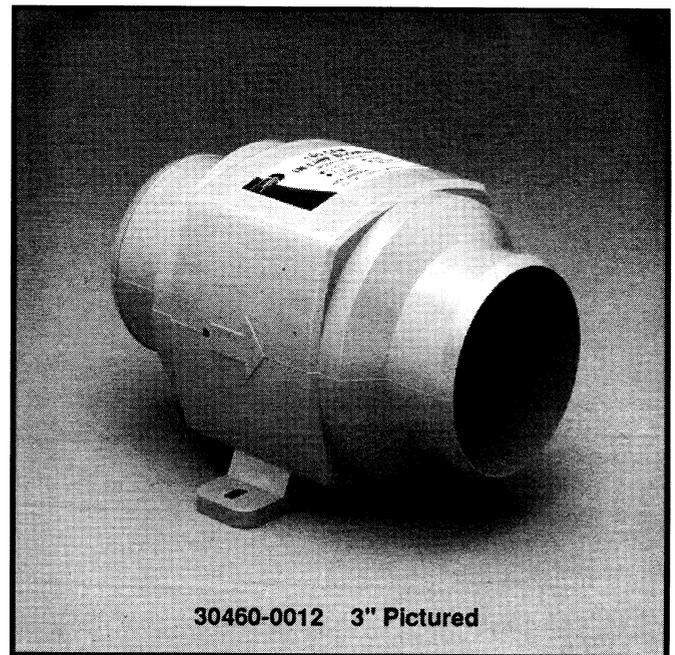
INSTALLATION

INSTALLATIONS MUST MEET APPLICABLE SECTIONS OF TITLE 33, PART 183; SUBPART K, USCG VENTILATION REGULATIONS.

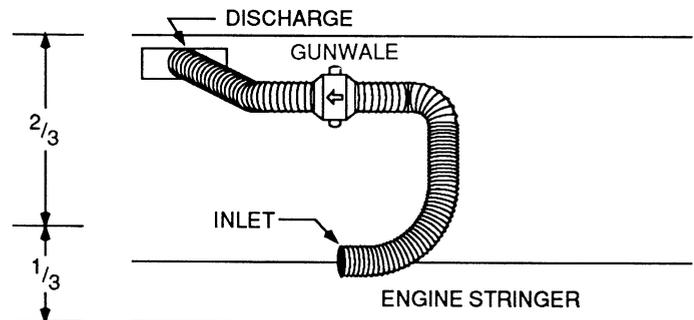
Mounting: The Jabsco In-Line Blower is designed for easy installation. It may be positioned anywhere along the length of ducting leading to the area being ventilated. The blower may be secured to any solid, flat mounting surface and installed in any position. However, for maximum motor protection, it is best to position the blower where it will not be exposed to water spray.

The ventilation ducting should lead to a suitable discharge fitting which will not increase the blower's static pressure while the vessel is underway. If the blower is used to exhaust gasoline vapors from an engine room or bilge, the ducting inlet must be positioned in the lower 1/3 of that compartment. Ideally, the inlet should be as low as possible without the probability of becoming submerged. To maximize blower performance, the ducting length and number of bends should be kept to a minimum. Use only a quality reinforced (non-collapsing) ducting made of materials that will not support flame such as the 34959-Series.

NOTICE: If the blower is installed as a galley ventilator, it should be mounted away from extreme heat (more than 130°F) to prevent distortion of the blower housing or fan.

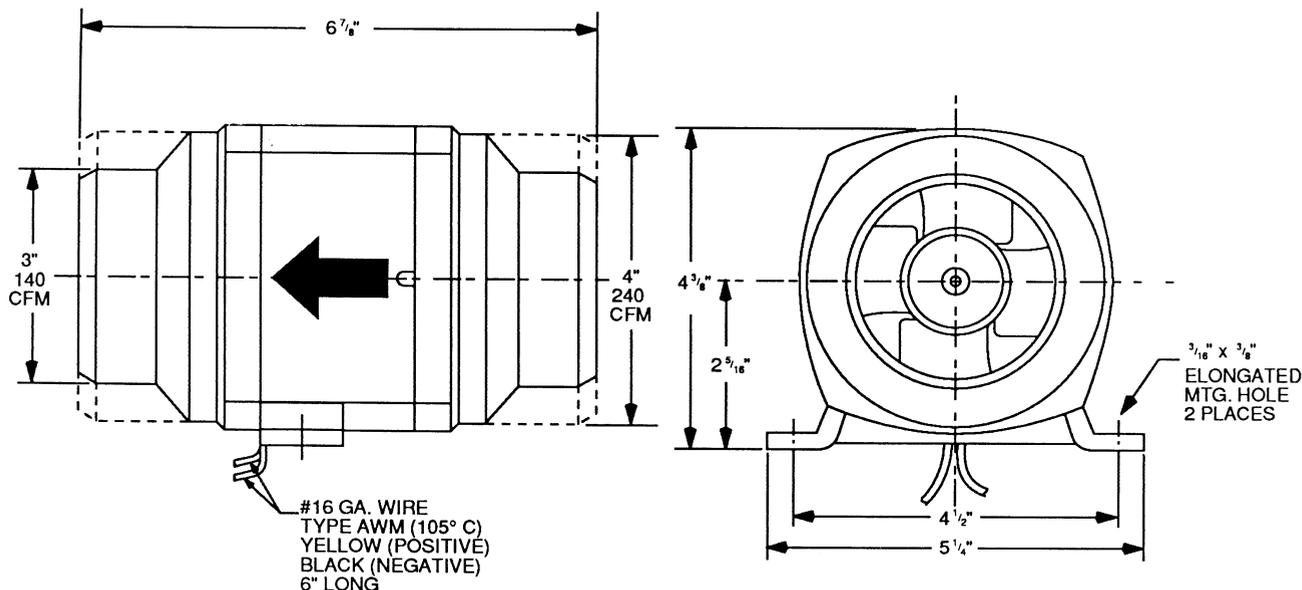


Models 30460-0012, 30490-0012



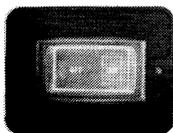
WIRING: Use only a quality marine grade stranded copper wire. For wire runs of up to 50 feet (measured from power source to blower and back to ground) use a minimum of 16 gage wire. For runs of 50 to 80 feet use a minimum of 14 gage wire. To comply with A.B.Y.C. and N.M.M.A. recommendations, the positive (+) conductor should be yellow and the negative (-) conductor either black or white. The positive (+) conductor must include a 6 amp fuse or circuit breaker at the power source. The circuit should include an on-off switch with a minimum rating of 5 amps. Model 44960-0002 and 44960-0003 Rocker Switches are ideal for this purpose and include a label which says "Blower".

DIMENSIONAL DRAWING

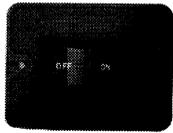


MARINE SWITCH PANELS

These rocker switch panels are available in an attractive black textured finish. Select between illuminated or non-illuminated models.



44960-0003



44960-0002



MODEL	#POSITION	ELEC. RATING
44960-0002	2 (on, off, lighted)	10 amps 12 Vdc
44960-0003	2 (on, off, unlighted)	10 amps 6-32Vdc/15 amps 110Vac

OPERATION: The blower may be used for continuous operation. However, maximum motor brush life is generally about 500 hours.

When ventilating gasoline vapors, the following warning placard instructions are minimum operating requirements.

WARNING

Explosion hazard. Gasoline vapors can explode. Before starting engine, operate blower for 4 minutes and check engine compartment bilge for gasoline vapors. Run blower below cruising speed. Failure to do so can result in injury or death.

THE "WARNING" PLACARD (OR EQUIVALENT) SUPPLIED WITH THE BLOWER MUST BE MOUNTED ADJACENT TO ENGINE IGNITION SWITCHES (ALL LOCATIONS) TO COMPLY WITH TITLE 33, PART 183; SUBPART K, USCG VENTILATION REGULATIONS.*

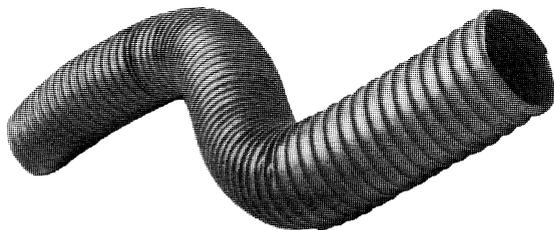
* Additional warning placards are available from the factory by requesting form 43003-0418.

FLEXIBLE BLOWER DUCTING

Plastic flexible blower ducting is available in 3" and 4" diameters and made of materials that will not support flame. It is wire reinforced to maintain shape and maximum ID through very tight bends.

Easy to cut and install. Sold in 50' (15m) coils only.

MODEL	SIZE (ID)	SHIPPING WEIGHT
34959-0100	3"	10 lb (4.5 kg)
34959-0200	4"	14 lb (6.3 kg)



ITT Jabsco

A Unit of ITT Fluid Technology Corporation
U.S.A. ITT Jabsco, 1485 Dale Way, P.O. Box 2158, Costa Mesa, CA 92628-2158; Tel: (714) 545-8251; Fax: (714) 957-0609

UNITED KINGDOM
ITT Jabsco
Hoddesdon, Herts.

CANADA
ITT Fluid Products
Guelph, Ontario

JAPAN
NHK Jabsco Co., LTD.
Yokohama, Kanagawa

GERMANY
Mintec, GmbH
Norderstedt



THE PRODUCTS DESCRIBED HEREIN ARE SUBJECT TO THE JABSCO ONE YEAR LIMITED WARRANTY, WHICH IS AVAILABLE FOR YOUR INSPECTION UPON REQUEST.