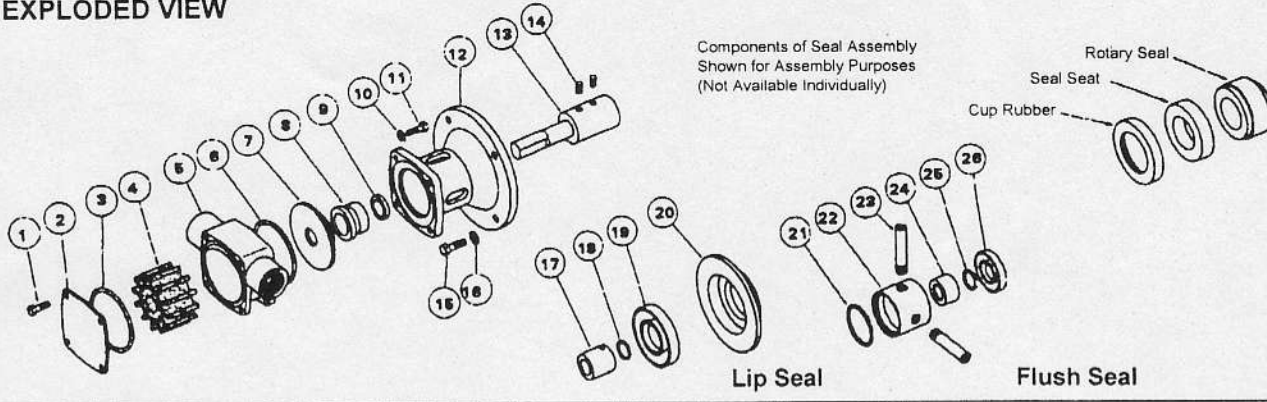


Jabco 28440 : 28480 SERIES

EXPLODED VIEW



| PARTS LIST | | | STANDARD PRESSURE IMPELLER | | | HIGH PRESSURE IMPELLER | | |
|---|--------------------|------------|----------------------------|---------------------------|-------------------------|--|---------------------------|-------------------------|
| | | | Neoprene Elast: 28440-2115 | Nitrile Elast: 28440-2113 | Viton Elast: 28440-2114 | Neoprene Elast: 28480-2125 | Nitrile Elast: 28480-2123 | Viton Elast: 28480-2124 |
| Key | Description | Qty | | | | | | |
| 1 | Screw | 4 | X3001-205F | X3001-205F | X3001-205F | X3001-205F | X3001-205F | X3001-205F |
| 2 | Endcover | 1 | 28405-0010 | 28405-0010 | 28405-0010 | 28405-0010 | 28405-0010 | 28405-0010 |
| 3 | "O" Ring* | 1 | X4020-399A | X4020-399A | X4020-399B | X4020-399A | X4020-399A | X4020-399B |
| 4 | Impeller* | 1 | 14346-0005B | 14346-0013B | 14346-0014B | 8983-0005B | 8983-0023B | 8983-0024B |
| 5 | Body | 1 | 28434-2000 | 28434-2000 | 28434-2000 | 28434-2000 | 28434-2000 | 28434-2000 |
| 6 | "O" Ring* | 1 | X4020-399A | X4020-399A | X4020-399B | X4020-399A | X4020-399A | X4020-399B |
| 7 | Wearplate(1) | 1 | 28436-0000 | 28436-0000 | 28436-0000 | 28436-0000 | 28436-0000 | 28436-0000 |
| 8 | Seal Assembly(1)* | 1 | 28431-0103B | 28431-0103B | 28431-0104B | 28431-0103B | 28431-0103B | 28431-0104B |
| 9 | Seal Spacer(1,2,3) | 1 | 28417-0000 | 28417-0000 | 28417-0000 | 28417-0000 | 28417-0000 | 28417-0000 |
| 10 | Washer | 4 | X3080-101F | X3080-101F | X3080-101F | X3080-101F | X3080-101F | X3080-101F |
| 11 | Screw | 4 | X3001-209F | X3001-209F | X3001-209F | X3001-209F | X3001-209F | X3001-209F |
| 12 | Adaptor | 1 | 28423-0000 | 28423-0000 | 28423-0000 | 28423-0003 | 28423-0003 | 28423-0003 |
| 13 | Shaft Extension | 1 | 28427-0001 | 28427-0001 | 28427-0001 | Requires Integral Motor Shaft. See Drawing For Details | | |
| 14 | Set Screw | 2 | X3009-203A | X3009-203A | X3009-203A | | | |
| 15 | Screw | 4 | X3001-209F | X3001-209F | X3001-209F | X3001-209F | X3001-209F | X3001-209F |
| 16 | Washer | 4 | X3080-101F | X3080-101F | X3080-101F | X3080-101F | X3080-101F | X3080-101F |
| Service Kit Contains* | | | SK378-0115 | SK378-0113 | SK378-0114 | SK378-0125 | SK378-0123 | SK378-0124 |
| Other Seal Options | | | | | | | | |
| Model No. With H/F Seal | 28440-2215 | 28440-2213 | 28440-2214 | 28440-2225 | 28440-2223 | 28440-2224 | | |
| Model No. With Lip Seal | 28440-2415 | 28440-2413 | Not Available | 28440-2425 | 28440-2423 | Not Available | | |
| Model No. With H/F Seal Flushed | 28440-2715 | 28440-2713 | 28440-2714 | 28440-2725 | 28440-2723 | 28440-2724 | | |
| Model No. With Standard Seal/Flushed | 28440-2915 | 28440-2913 | 28440-2914 | 28440-2925 | 28440-2923 | 28440-2924 | | |
| Parts For Appropriate Seal Conversion | | | | | | | | |
| 8 | H/F Seal Assembly | 1 | 28431-0203B | 28431-0203B | 28431-0204B | 28431-0203B | 28431-0203B | 28431-0204B |
| Lip Seal Kit No. & Contains | | | 28431-0403B | 28331-0403B | Not Available | Not Available | Not Available | Not Available |
| 17 | Seal Spacer | 1 | 28465-0011 | 28465-0011 | Not Available | Not Available | Not Available | Not Available |
| 18 | "O" Ring | 1 | X4020-227A | X4020-227A | Not Available | Not Available | Not Available | Not Available |
| 19 | Seal | 1 | SP2701-0915 | SP2701-0915 | Not Available | Not Available | Not Available | Not Available |
| 20 | Wearplate | 1 | 28466-0000 | 28466-0000 | Not Available | Not Available | Not Available | Not Available |
| Flush Seal Kit No. & Contains | | | 28432-0000B | 28432-0000B | 28432-0000B | Not Available | Not Available | Not Available |
| 21 | "O" Ring | 1 | X4020-261A | X4020-261A | X4020-261A | Not Available | Not Available | Not Available |
| 22 | Seal Housing | 1 | 28412-0000 | 28412-0000 | 28412-0000 | Not Available | Not Available | Not Available |
| 23 | Tube | 2 | 21844 | 21844 | 21844 | Not Available | Not Available | Not Available |
| 24 | Seal Spacer(2) | 1 | 28417-0001 | 28417-0001 | 28417-0001 | Not Available | Not Available | Not Available |
| 25 | "O" Ring(2) | 1 | X4020-227A | X4020-227A | X4020-227A | Not Available | Not Available | Not Available |
| 26 | Seal | 1 | SP2701-0915 | SP2701-0915 | SP2701-0915 | Not Available | Not Available | Not Available |
| (1) Key 7, 8 & 9 Not Required For Lip Seal Models: (2) Key 9, 24 & 25 Not Required For one piece Shaft. | | | | | | | | |
| (3) Key 9 Required For High Pressure Impeller Models | | | | | | | | |

SERVICE INSTRUCTIONS

Dis-Assembly

- Remove screws (1), endcover and "O" rings (3). Remove screws (11) and slide off body complete with body. Push out impeller and "O" ring (6) from body.
- Remove wearplate (7) and prise out seal seat and cup rubber.
- Gently lever the spacer (9) (if fitted) and rotary seal off the shaft. Removal of the following parts is not necessary for normal servicing. However, if required proceed as follows:-
- Remove screws (15) and washers (16) and slide off adaptor (12). For motors with integral stainless steel shaft step 5 is not applicable.
- Loosen set screws (14) then applying heat and leverage slide off shaft extension. Do not heat damage motor seal and bearing. Do not tamper with motor.

Pumps With Lip Seal:- Push out lip seal (19) from wearplate (20) and loosen set screws to remove spacer (17) and prise out "O" ring (18) from spacer.

Pumps With Flush Seal:- After pulling out rotary seal, unscrew tubes (23) and pull out seal housing (22). If fitted:- Remove seal spacer and prise out "O" ring (25). Remove "O" ring (21) and lip seal (26) from seal housing.

Assembly

- To assemble shaft extension (Not applicable to H.P. pumps):- Support motor shaft (from end). Align set screws (14) with the shaft keyway and press on the shoulder of the shaft extension. Tighten set screws (14).
- Slide seal spacer (9) (if fitted), on shaft then smear shaft with oil and push rotary seal gently until it touches the spacer or shaft shoulder.
- Fit adaptor (12) to motor face with screws (15) and washers (16).
- Fit cup rubber and seal seat into wearplate and slide into position over shaft.
- Fit impeller into lubricated body with a twisting motion in the same direction as motor. Fit "O" ring (6) into body and slide into position over shaft.
- Align wearplate and body with adaptor and secure with screws (11) and washers (10). Do not overtighten, a gap between adaptor and body is normal. These screws and endcover screws should be tightened to a torque of 6.8 Nm.
- Fit "O" ring (3) into body and place endcover over body and secure with screws (1).

Pumps With Lip Seal:- Fit "O" ring (18) into seal spacer (17) and smear spacer and shaft with lubricating oil. Slide spacer over shaft and secure with set screws to dimension shown. Press lip seal (19) into wearplate (20) and slide into position over shaft, then follow on from step 5 above.

Pumps With Flush Seal:- (shafts with seal spacer (24)). Fit "O" ring (25) under seal spacer and smear both spacer and shaft with oil and slide spacer up to shaft shoulder. Press lip seal (26) into seal housing (22) and slide into position. Fit tubes (23) sealing with PTFE tape. Rotary seal and "O" ring (21) can now be fitted. The follow step 5 above.

Inspect all parts for wear or damage and replace if necessary.

INSTALLATION DRAWING

