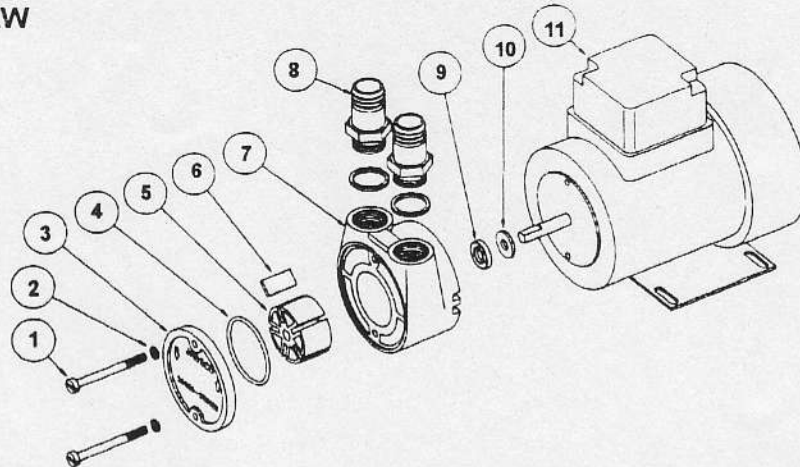


# Jabsco 23850 SERIES

## EXPLODED VIEW



Key	Description	Qty	Part No.
1	Endcover Screws	2	X3003-166F
2	Spring Washer	2	SP1602-024
3	Endcover	1	23875-0030
4	"O" Ring *	1	X1990-131
5	Rotor*	1	45714-0000
6	Vanes *	5	45716-0000
7	Body	1	23874-2030
8	Hose Adaptor Kit	1	23533-1100B
9	Lip Seal*	1	SP2701-52
10	Slinger	1	6342
11	Motor	1	SP8012-0138

Service Kit SK399-0001 contains parts marked\*

Head Kit 23851-2000 contains all parts except key 11

Motor Spares for SP8012-0138

Part No.	Description
X 5501-019B	Capacitor
X 5501-020B	Motor Cowl

Motor is not user servicable, no other spares available  
Motor has an auto - reset thermal trip. If motor stops allow to cool before restarting

## MODEL VARIANTS

23850-1000	19mm [3/4"] Hose Adaptors
23850-2000	1/2" BSP Internal Ports

## OPTIONAL EXTRAS

Part No.	Description
23533-1100B	19mm [3/4"] Port Adaptor Kit
23732-0000	Suction Strainer [300 Micron]
23735-0010	Check Valve
23736-0000B	Foot Valve

## Dis - Assembly

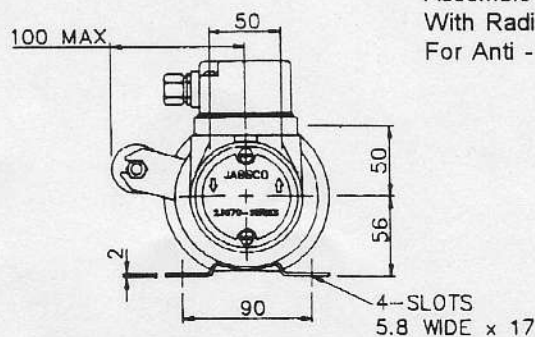
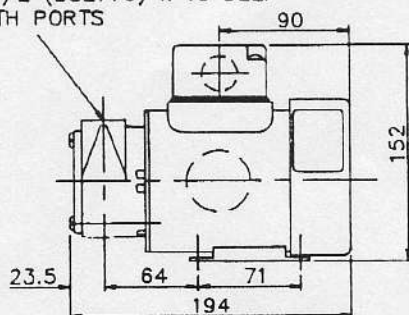
1. Remove endcover screws, endcover, and "O"ring.
2. Withdraw rotor and vanes.
3. Remove two slotted hex screws. Tap body lightly between ports and remove.
4. Press seal from the rotor side of the body out of the seal bore.

## Assembly

1. Press seal from the motor side of the body into the seal bore with lip positioned downwards.
2. Lubricate motor shaft and install body on to motor
3. Align flat in rotor with flat on motor shaft and push on. Install vanes as shown below.
4. Install "O" ring, endcover and endcover screws.

## INSTALLATION DRAWING

G 1/2 (BS2779) x 15 DEEP  
BOTH PORTS



Assemble Vanes As Shown  
With Radiused Edge Leading  
For Anti - Clockwise Rotation

Viewed From Front