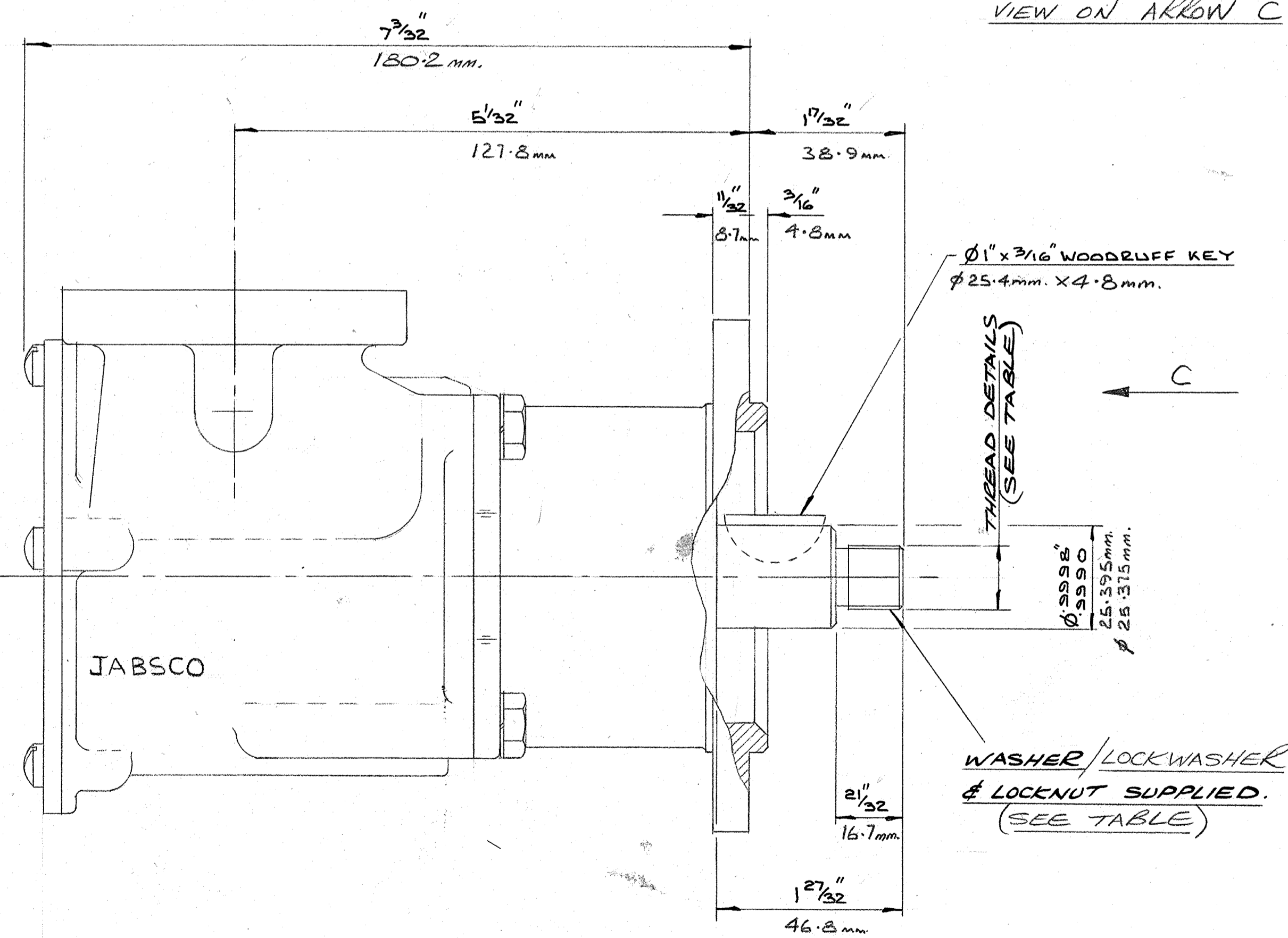
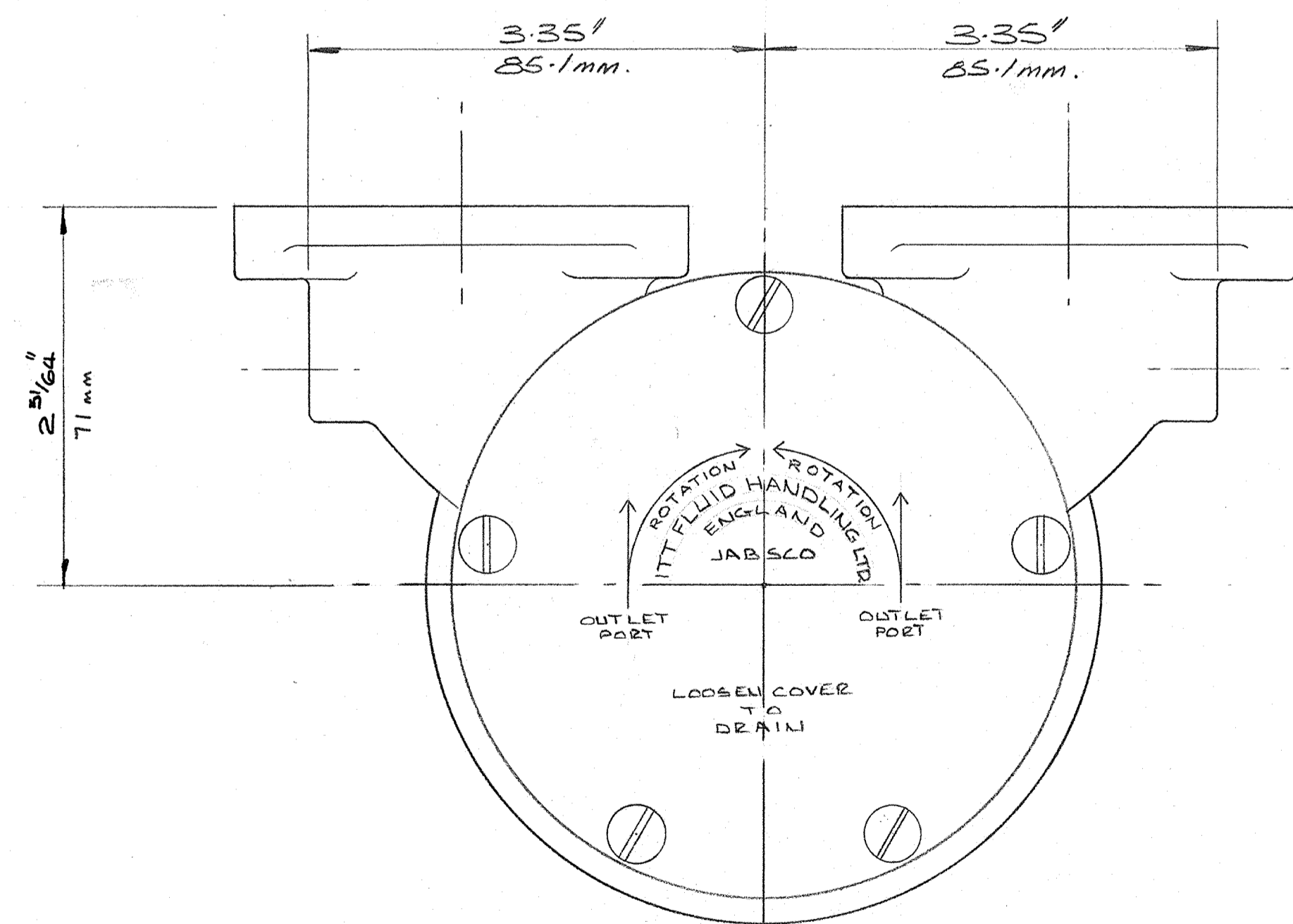
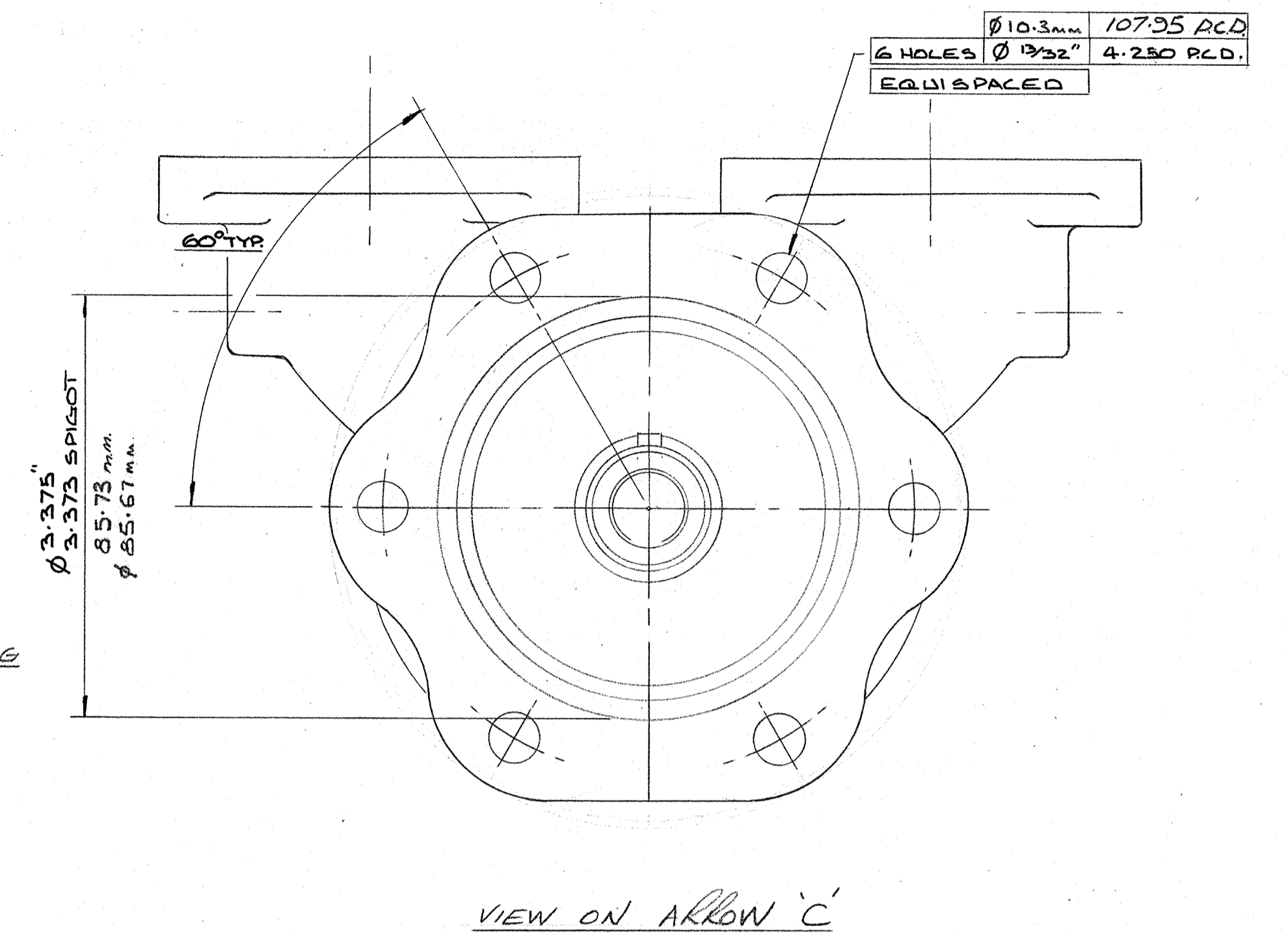
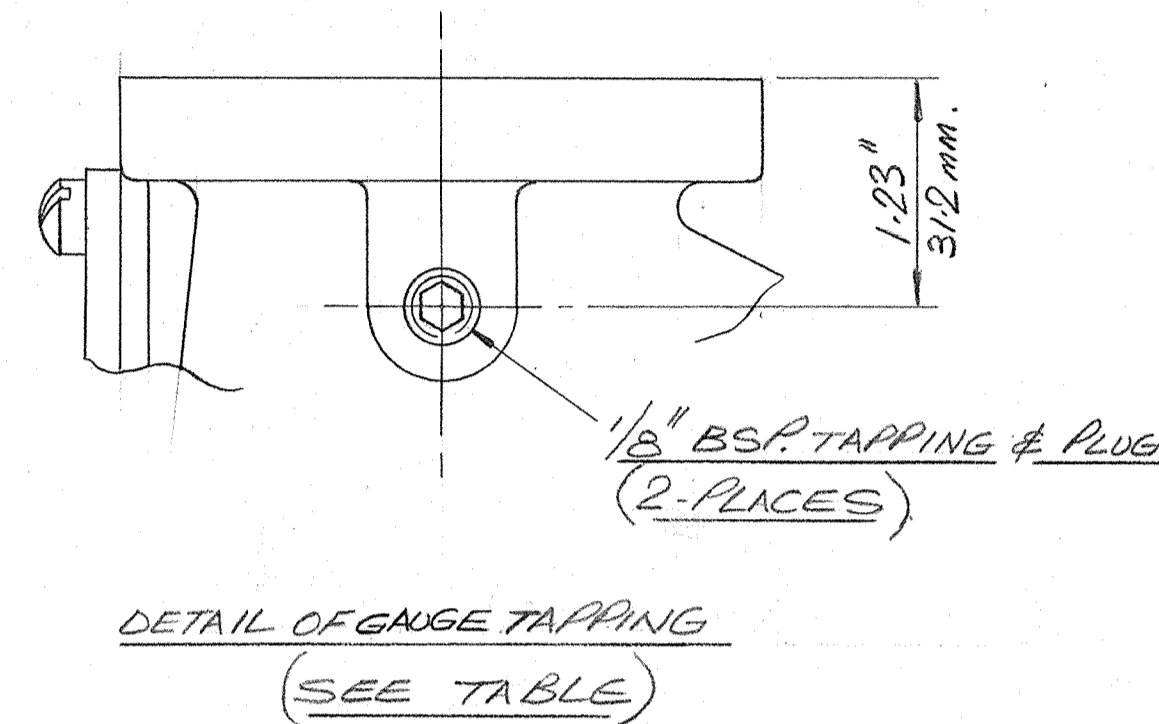
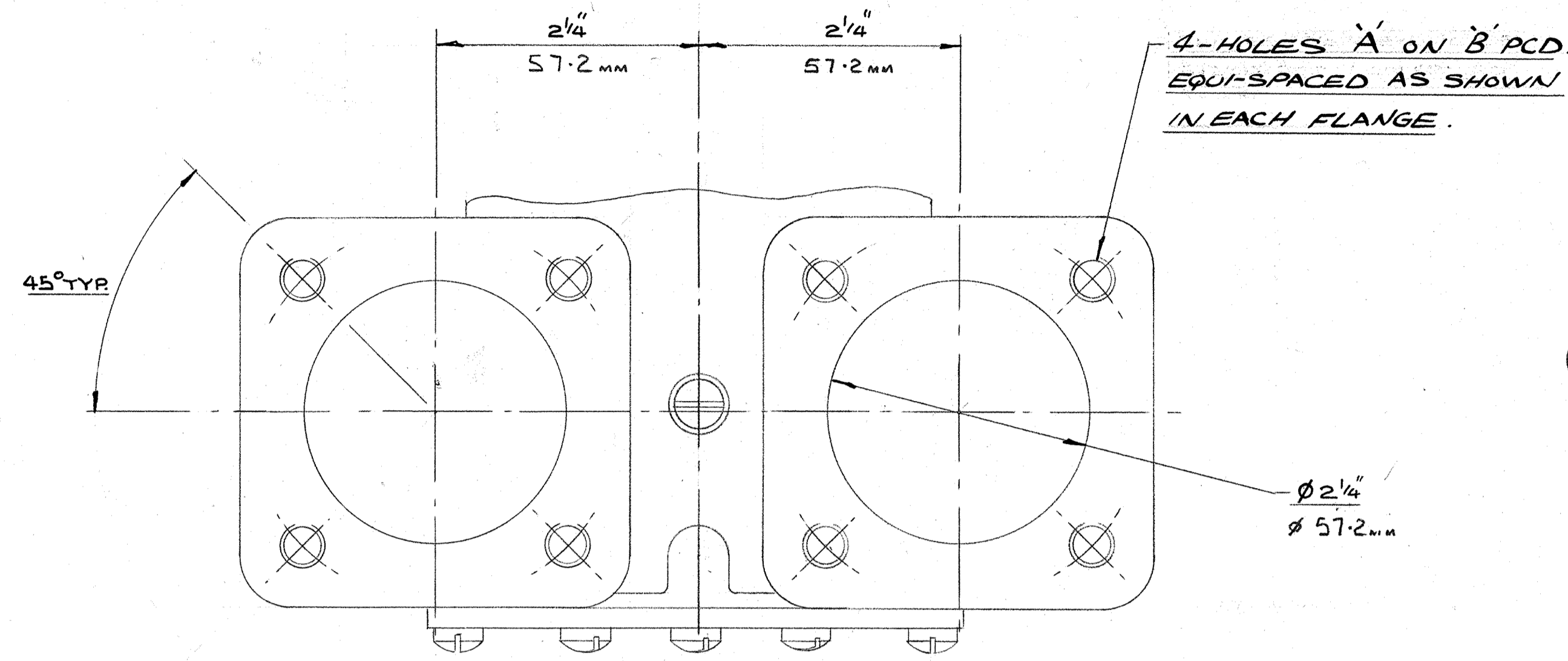


INSTALLATION	ASSEMBLY	B.O.M.	NOTES	A	B	THREAD DETAILS	GAUGE TAPPING
22040	22041	22042	—	$3/8$ "-16UNC./2B. 3.25" (82.55mm)	$5/8$ "-18UNF. 2A. — RIGHT HAND	—	—
22040-01	22041	22042-01	NOTE: INCLUDES ADAPTOR FLANGE AND OTHER ITEMS SUPPLIED. LOSS.	$3/8$ "-16UNC./2B. 3.25" (82.55mm)	" " " " "	—	—
22040-0131	22041	22042-0131	FITTED WITH REDUCED CAM.	M10 X G.H.	3.562" (90.47mm)	" " " " "	2-PLACES
22040-0531	22041	22040-0531	FITTED WITH REDUCED CAM. LOCKWASHER NOT SUPPLIED.	" " " " "	" " " " "	$5/8$ "-18 UNF. 2A. — LEFT HAND	" "
22040-0501	22041	22040-0501	LOCKWASHER NOT SUPPLIED	" " " " "	" " " " "	" " " " "	" "



ASSEMBLY INSTRUCTIONS ~ 22049  
SERVICE KIT ~ SK 318

DATE	Let	REVISION	REF	BY	CHK	APP
10-1-79	A	METRIC DIMENS-ADDED	3044	DR	JL	
10-2-79	B	ECO 315		JL		
10-1-80	C	ECO 3281		JL		
10-4-81	D	ECO 3343		JL		
10-7-83	E	ECO 3935		JL		
10-4-84	F	ECO 4808		JL		
10-7-86	G	ECO 4901		JL		

NOTES  
MATERIAL SPEC:  
DO NOT SCALE-REPORT ERRORS  
REMOVE SAND & FINS FROM CASTINGS. FLASH & SCALE FROM FORGINGS.  
SURFACE FINISH SPECIFICATIONS ARE IN MICROINCHES. UNLESS OTHERWISE STATED THE FOLLOWING APPLY.  
PART TO BE FREE OF BURRS.  
DIMENSIONAL LIMITS: DECIMAL  $x \pm \pm 010$ .  $xx \pm \pm 005$ . FRACTIONAL  $\pm 1/32$ . ANGULAR  $\pm 1/2^\circ$ .

ITT FLUID HANDLING LIMITED HODDESDON, HERTS, ENGLAND.		
DR.	GC	16-5-74 E.O.
CK.	ACO	2-5-74
APP.		
TITLE INSTALLATION 2" MARINE PUMP		
PART No.		SCALE
22040 SERIES		1:1 D