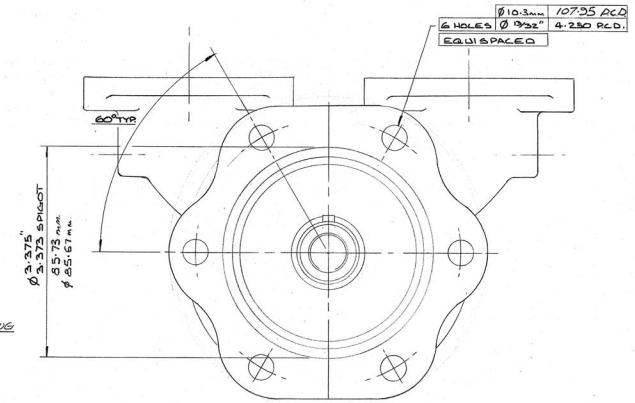
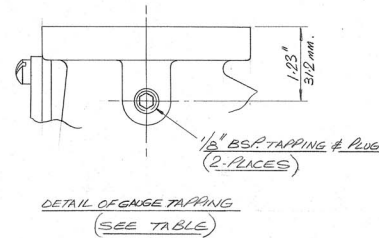
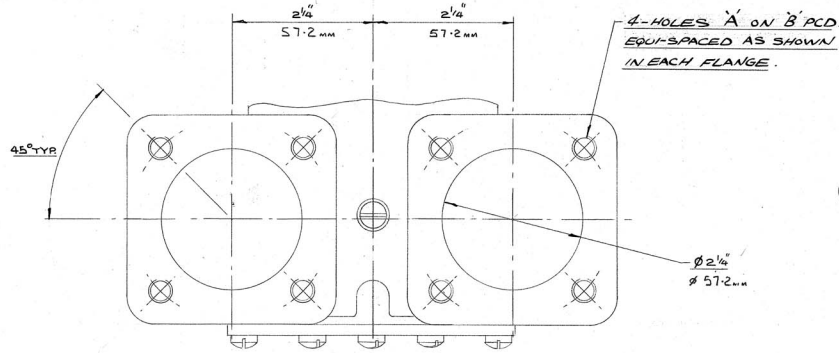
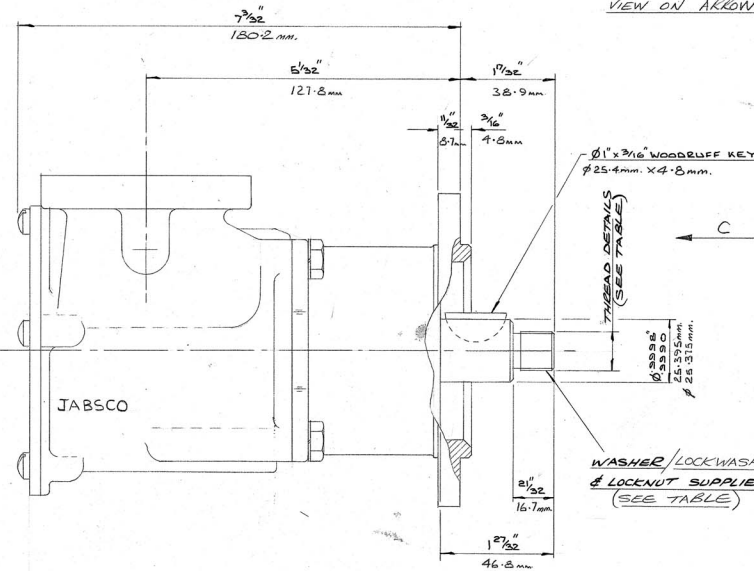
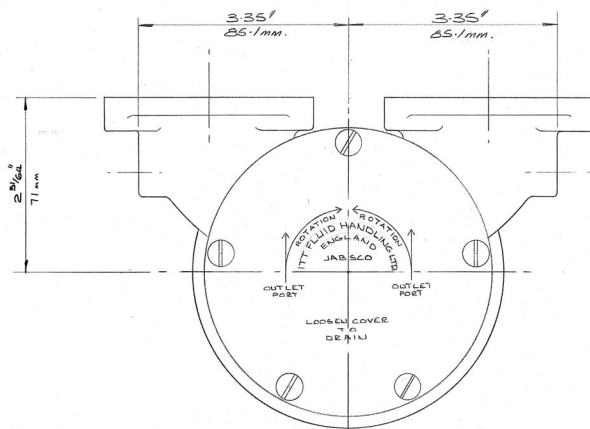


INSTALLATION	ASSEMBLY	B.O.M.	NOTES	A	B	THREAD DETAILS	GAUGETAPPING
22040	22041	22042	—	3/16" - 16UNC. / 28.325" (82.55mm)	5/8" - 18UNC. 2A. - RIGHT HAND	—	—
22040-01	22041	22042-01	NOTE INCLUDES ADAPTOR FLANGE AND OTHER ITEMS SUPPLIED LOOSE	3/16" - 16UNC. / 28.325" (82.55mm)	" " " " " " " "	" " " " " " " "	" " " " " " " "
22040-0131	22041	22042-0131	FITTED WITH REDUCED CAM. FITTED WITH REDUCED CAM. LOCKWASHER NOT SUPPLIED.	M10 X G.H. 3.562" (90.47mm)	" " " " " " " "	" " " " " " " "	2-PLACES
22040-0531	22041	22040-0531	LOCKWASHER NOT SUPPLIED	" " " " " " " "	3/8" - 18 UNC. 2A. - LEFT HAND	" " " " " " " "	" " " " " " " "
22040-0501	22041	22040-0501	LOCKWASHER NOT SUPPLIED	" " " " " " " "	" " " " " " " "	" " " " " " " "	" " " " " " " "



VIEW ON ARROW 'C'



ASSEMBLY INSTRUCTIONS ~ 22049

SERVICE KIT ~ SK318

DATE	LET	REVISION	REF	BY	CHK	APP
2013	A	METRIC DIMS ADDED	3/11	JR	DF	JL
2013	B	ECO 31/5		JR		JL
2013	C	ECO 32/1		JR		JL
2013	D	ECO 33/3		JR		JL
2013	E	ECO 35/5		JR		JL
2013	F	ECO 40/8		JR		JL
2013	G	ECO 43/1		JR		JL

NOTES

MATERIAL SPEC:

DO NOT SCALE - REPORT ERRORS

REMOVE SAND & FINES FROM CASTINGS. FLASH & SCALE FROM FORGINGS.

SURFACE FINISH SPECIFICATIONS ARE IN MICRONS UNLESS OTHERWISE STATED THE FOLLOWING APPLY

PART TO BE FREE OF BURRS

DIMENSIONAL LIMITS: DECIMAL x ± .010 x ± .005

FRACTIONAL 1/32" ANGULAR ± 1/2" ✓ = .25°

ITT FLUID HANDLING LIMITED			
HODDESDON, HERTS, ENGLAND			
DR.	CHK.	APP.	DATE
6 Co	3 Co	1/1	16-5-74
TITLE			SCALE
INSTALLATION 2" MARINE PUMP			1:1
PART No. 22040 52215			D