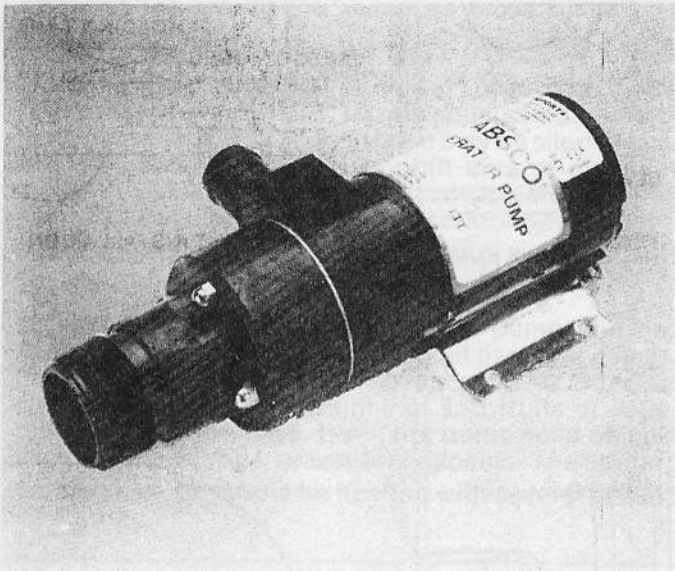


JABSCO® PUMPS

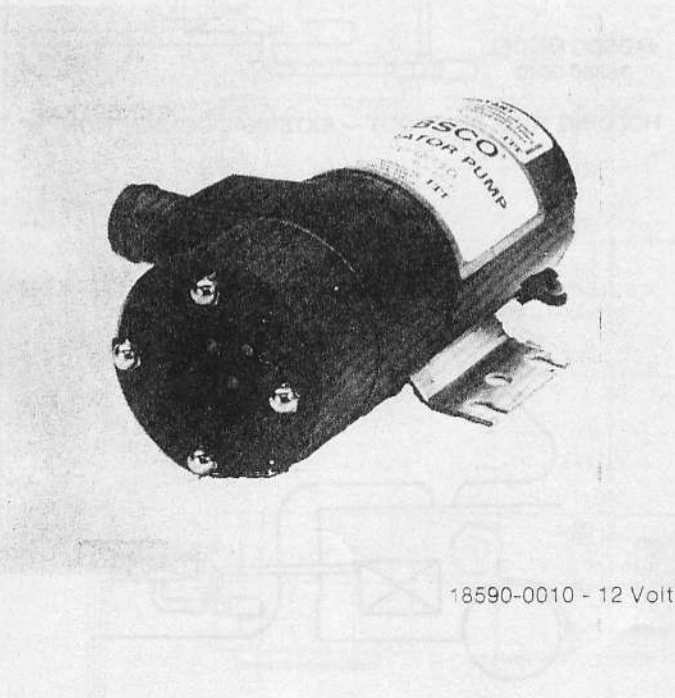
Self-Priming Macerator Pump Units

MODEL: 18590 - Series

Product Data



18590-0000 - 12 Volt
18590-0001 - 24 Volt
18590-0002 - 32 Volt



18590-0010 - 12 Volt

DESIGN FEATURES

- Pump: **Self-Priming Flexible Impeller with Stainless Steel Wearplate**
- Impeller: **Jabscos Neoprene Compound**
- Macerator: **Cast Bronze Cutter reduces particle size to 1/8" maximum**
- Seal: **Lip Type**
- Ports: **Model 18590-0000**
Inlet—1 1/2" External Pipe Thread and 2" Slip-on Hose
Model 18590-0010
Inlet—3" Slip-on Hose
Outlet— 1" ID Hose Barb
- Motor: **Permanent Magnet Type, Fully Enclosed, with Stainless Steel Shaft**
- Weight: **7 lbs. (3.2 kg.) Approx.**

MODEL: 18590-Series

These pumps meet applicable sections of the U.S. Coast Guard Electrical Regulations (Title 33, Chapter I, Subpart 183). They should be used in accordance with E.P.A. and USCG Marine Sanitation Regulations.

APPLICATION INFORMATION

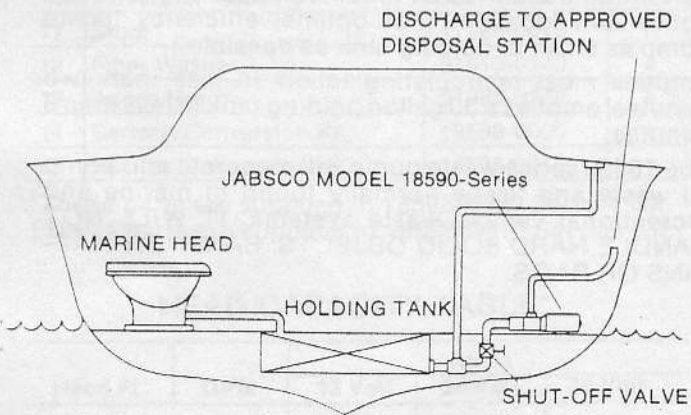
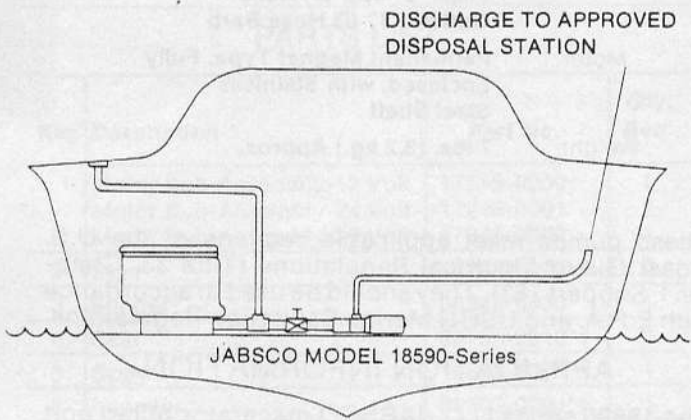
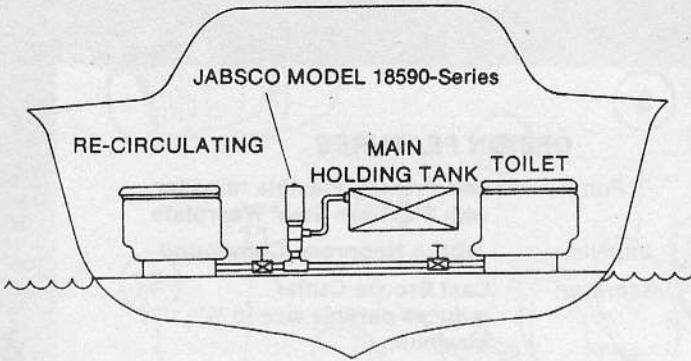
The 18590 series D.C. JABSCO macerator pump unit is the ideal answer to holding tank pump out problems for boats and recreational vehicles. The macerator section grinds waste down to a particle size of 1/8" maximum so it can easily be pumped through a 1" ID hose discharge line. The pump section is self priming, permitting the unit to be mounted above the tank in a convenient location. (For optimal efficiency locate pump as close to holding tank as possible.)

Empties most recirculating toilets in less than two minutes; empties a 30 gallon holding tank in less than 3 minutes.

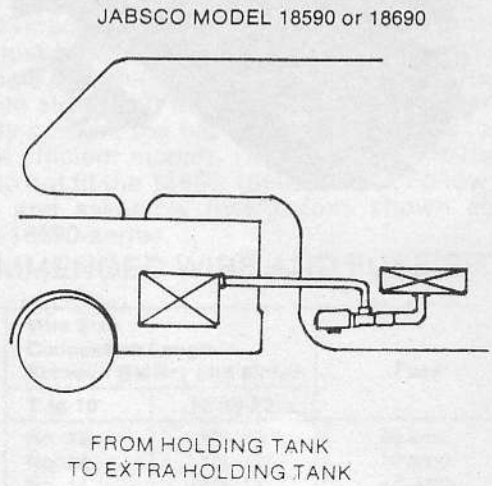
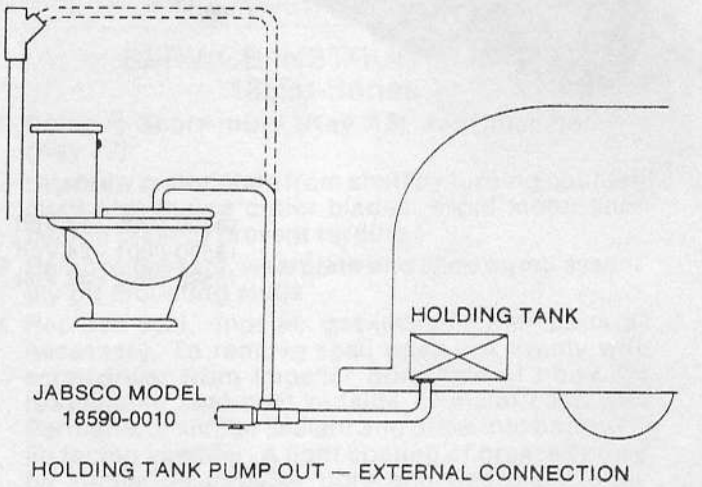
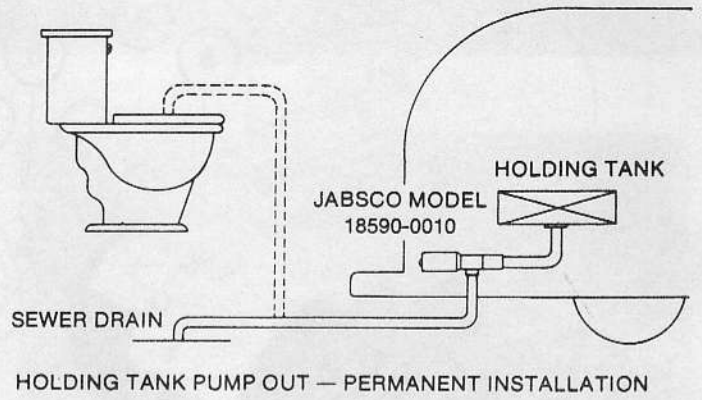
The 18590 series waste pump will macerate and pump all waste and tissue normally found in marine and recreational vehicle waste systems. IT WILL NOT HANDLE HARD SOLID OBJECTS, SANITARY NAPKINS OR RAGS.

JABSCO PRODUCTS **ITT**

TYPICAL MARINE USES



TYPICAL RECREATIONAL VEHICLE USES



INSTALLATION INSTRUCTIONS

Locating the Pump: The JABSCO macerator pump is self priming to a six foot lift when impeller is wet, four foot when dry, and may be located at any convenient point in the waste discharge system. It may be mounted in any position or angle without affecting performance. Use the rubber grommets provided to absorb vibration. Do not overtighten mounting screws. For optimal performance mount the pump as close to tank as possible.

Plumbing Connections: For model 18590-0000, 0001, 0002, use minimum 1 1/2" ID non collapsible (radiator type) suction hose. Two inch hose may be slipped over the inlet and clamped on smooth area of port. For model 18590-0010, use 3" ID non collapsible hose and clamp on outside diameter of macerator housing.

All suction connections must be airtight and free of sharp bends or restrictions. Use minimum 1" inside diameter hose for discharge. **DECK FITTING MUST BE AIR TIGHT.**

Wiring Hookup: For permanent connection, use heavy duty stranded copper wire to avoid excessive voltage drop. Consult recommended wire and fuse size table for correct size.

IMPORTANT

Connect orange wire to positive circuit and black wire to negative for proper rotation. Failure to connect wires as described will damage unit and void warranty.

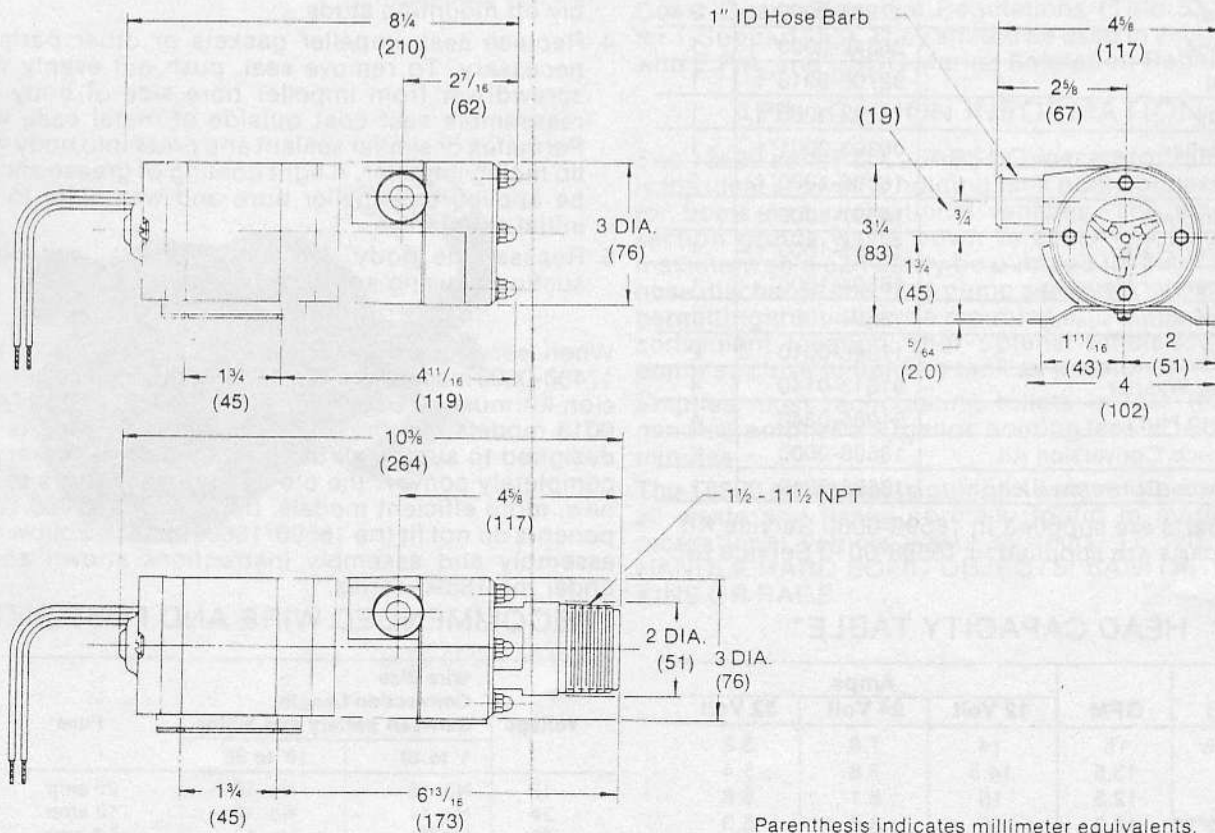
OPERATING INSTRUCTIONS

Operation: The JABSCO macerator pump unit has been designed to handle waste, toilet tissue, and facial tissue. It will also handle solids such as filter tip cigarettes, cigars and chunks of soft fruits or vegetables less than 1" size. It will not pump solid objects like peach pits, rags, or sanitary napkins. The holding tank and pump should be flushed with several gallons

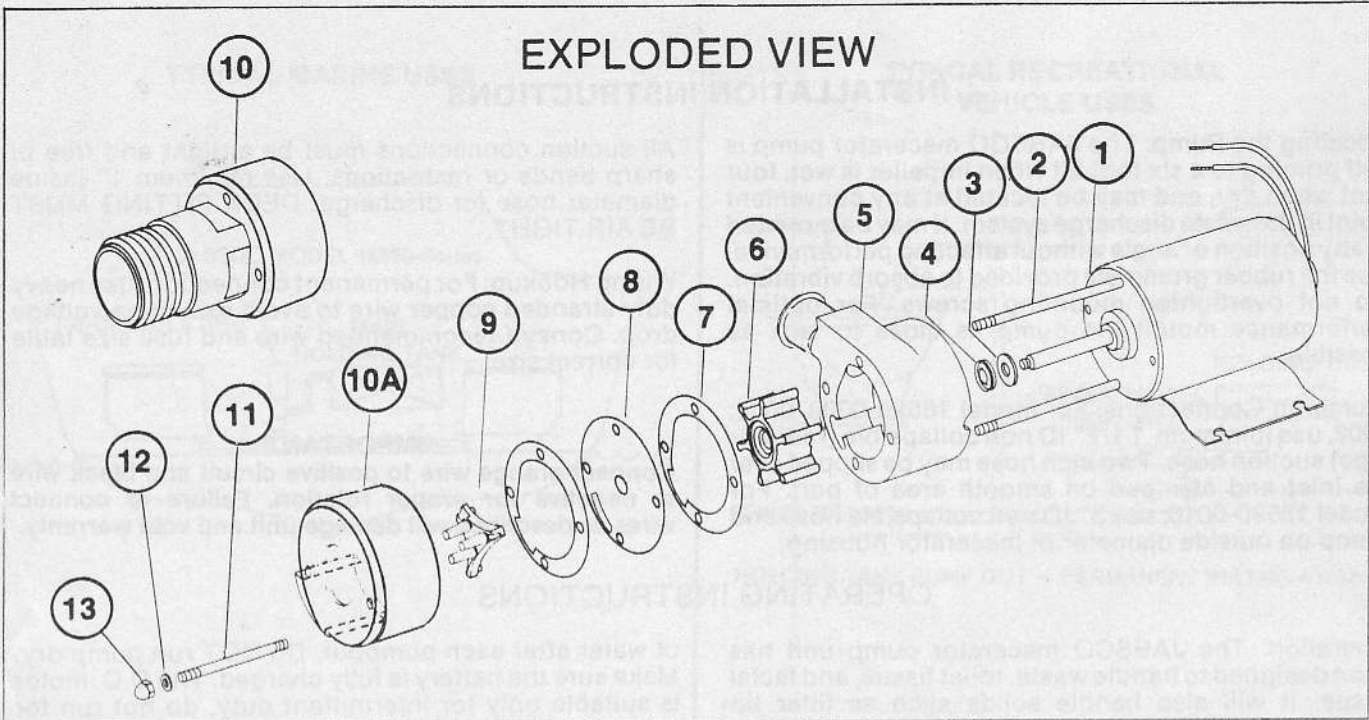
of water after each pumpout. Do NOT run pump dry. Make sure the battery is fully charged. The D.C. motor is suitable only for intermittent duty, do not run for more than 15 minutes continuously.

After long periods of non use, the macerator pump may not turn freely. Pour a cup of water down pump discharge line to help free the impeller.

DIMENSIONAL DRAWING



EXPLODED VIEW



PARTS LIST

Key	Description	Part No.	Qty. Req.
1	Motor Sub-Assembly-12 Volt Motor Sub-Assembly-24 Volt Motor Sub-Assembly-32 Volt	17246-0000 17246-0001 17246-0002	1 1 1
2	Stud	17288-0000	2
3	Slinger	06342-0000	1
4	Seal	92700-0910*†	1
5	Body	18593-1000*†	1
6	Impeller	06303-0001*†	1
7	Gasket	18596-1000*†	2
8	Wearplate	18597-1000*†	1
9	Cutter Plate	18595-1000*†	1
10	Macerator Housing	18594-1000*	1
10A	Macerator Housing	18594-1001†	1
11	Stud	17288-0010	2
12	Fiber Washer	91613-0140	4
13	Acorn Nut	91085-0340	4
14	Service/Conversion Kit	18598-0000	1
15	Service/Conversion Kit	18598-0010	1

*These parts are supplied in 18598-0000 Service Kit.
†These parts are supplied in 18598-0010 Service Kit.

HEAD CAPACITY TABLE*

Head Ft	GPM	Amps		
		12 Volt	24 Volt	32 Volt
Free flow	15	14	7.6	5.2
5	13.5	14.5	7.8	5.4
10	12.5	15	8.1	5.6
15	12.0	16	8.6	6.0
20	10.0	16.5	8.9	6.2

*Flow rates and amperage will vary slightly depending on pump loading (sanitation system design).

SERVICE INSTRUCTIONS 18590-Series

1. Remove acorn nuts (Key 13) and inlet housing (Key 10).
2. Unscrew cutter plate from shaft by turning counter-clockwise facing cutter blades. (Hold motor shaft behind plate to prevent turning.)
3. Remove gaskets, wearplate and slide pump assembly off mounting studs.
4. Replace seal, impeller gaskets or other parts as necessary. To remove seal, push out evenly with screwdriver from impeller bore side of body. To reassemble seal coat outside of metal case with Permatex or similar sealant and press into body with lip facing impeller. A light coating of grease should be applied to impeller bore and wearplate to aid initial dry startup.
5. Reassemble body, impeller, gaskets, wearplate, suction housing and acorn nuts.

17260/17460 Series

When servicing the 17260-0003, 0023 & 0033, and 17460-0003 macerators, the 18598-0000 service conversion kit must be used. For the 17260-0013 or 17460-0013 models use the 18598-0010 kit. These kits are designed to supply all the components necessary to completely convert the old design macerators to the new, more efficient models. (Most 17260/17460 components do not fit the 18590/18690 series). Follow disassembly and assembly instructions shown above under the 18590-series.

RECOMMENDED WIRE AND FUSE SIZE

Voltage	Wire Size Connection Length Between Battery and Motor		Fuse
	1' to 10'	10' to 20'	
	12	No. 12	
24	No. 14	No. 12	10 amp.
32	No. 14	No. 12	7.5 amp.

JABSCO PRODUCTS **ITT**

Marine and Recreation Components Division
International Telephone and Telegraph Corporation
1485 Dale Way, Costa Mesa, Calif. 92626 (714) 545-8251