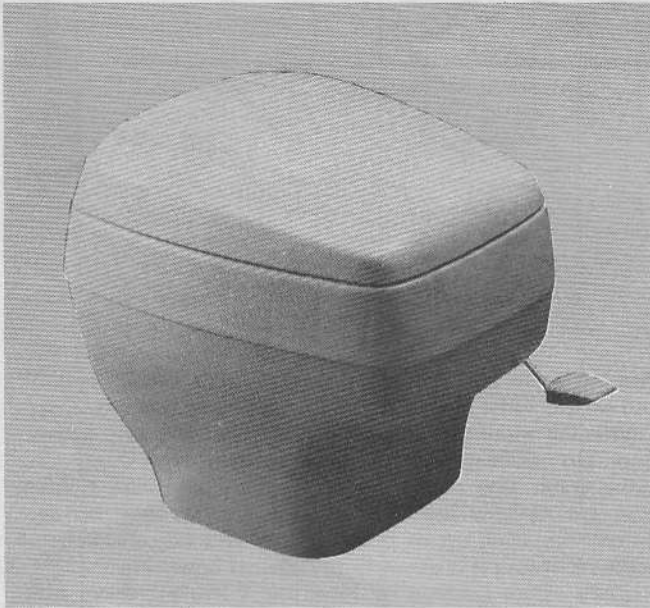


PAR T.M.

**MODEL 18030-0100
18030-0160**

**RV TOILET
PEDAL OPERATED**

PRODUCT DATA



FEATURES

- Single Pedal Operation
- Minimal Water Usage
- Positive Odor-tight Seal
- Contemporary styling in popular colors
- Easy to clean, durable housing
- I.A.P.M.O. approved – CSA certified

SPECIFICATIONS

Connections:

- Water** – 3/8" female flare, adapter supplied for 1/2" male flare.
- Waste** – Standard 3" toilet flange 11-1/2" min. from wall (Housing 3" min. from wall)

- Water Supply:** City Water Supply
RV Demand Water System
RV Pressurized Water System

- Materials:** Polypropylene, stainless steel, epoxy coated and plated steel. Teflon coated neoprene seal.

- Weight:** 18 lbs. (8.2 kg.)

APPLICATIONS

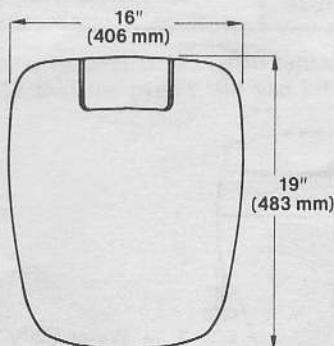
The PAR Malibu Recreational Vehicle Toilet is designed for use with a waste holding tank and either a self contained water pressure system or city water hook-up. This toilet utilizes a mechanical seal in the bottom of the bowl to trap waste gases in holding tank. Additionally an amount of residual rinse water caught and held by the mechanical seal further seals off the holding tank from the interior of the recreational vehicle. The PAR RV Toilet may be mounted on the floor of a dry compartment or in a shower pan exposed to an overhead shower spray.

STANDARD COLORS

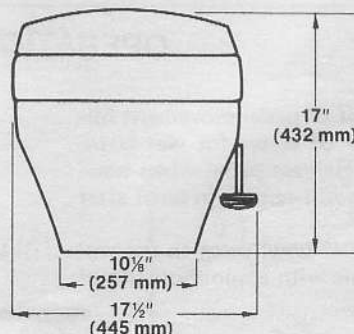
Model No.	Color
18030-0100	White
18030-0160	Gold

DIMENSIONAL DRAWING

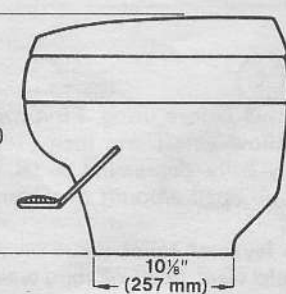
TOP VIEW



FRONT VIEW



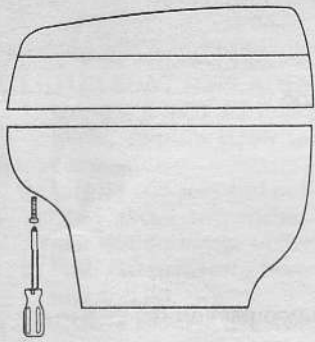
SIDE VIEW



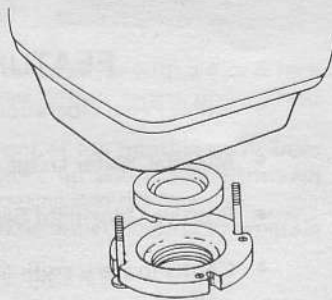
JABSCO PRODUCTS **ITT**

MODEL 18030-SERIES
RV TOILET

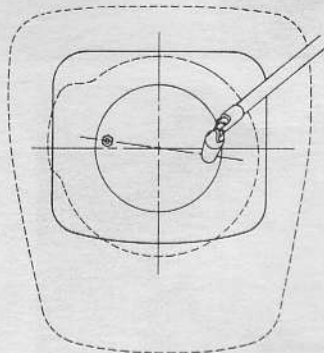
INSTALLATION



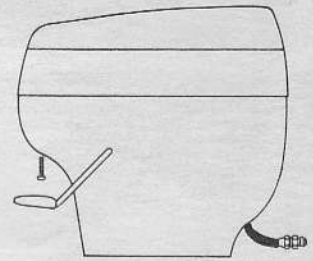
STEP 1



STEP 2 & 3



STEP 4



STEP 5

1. The PAR RV toilet upper housing must be removed for installation. Use a Phillips #2 screwdriver with a 4" to 5" blade length. Remove single screw located within recess under front contour. Lift lid and seat; pull front of top housing away from bowl about two inches. Close lid and pressing through rear slot disengage upper housing and lift free.
2. Install mounting bolts on closet flange and position closet floor flange to align with toilet mounting holes.
3. Install flange seal to bottom of toilet housing and rest housing on closet flange, directing mounting bolts through toilet mounting holes.
4. Pushing down on toilet housing, seat toilet firmly on floor and secure toilet base with two mounting nuts and washers. Tightening mounting nuts will pull toilet squarely against floor. Do not overtighten mounting nuts.
5. Make water line connection behind toilet. Finger-tighten plus 1/4 turn or until water tight. *Do not over tighten.*
6. Before replacing upper housing, seat and lid, check bowl gasket to insure it is down firmly against bowl rim.
7. Replace upper housing by lowering it straight down over toilet, and press rear of top housing to engage two retainers. Press front down firmly to limit of travel and install retaining screw using a 9 inch (or less) #2 Phillips screwdriver with a 4 to 5 inch blade. Installation is complete.

MAINTENANCE

WINTER PROTECTION

The PAR RV toilet is freeze-proof, however, as in any fresh water toilet, the water valve will trap residual water in the inlet line. If left unprotected the water distribution line may be damaged.

The best method for protecting a fresh water system from winter freezing is the use of non-toxic antifreeze solution manufactured specifically for RV and Marine fresh water system applications.

An alternative method is to drain the toilet along with the entire system. The toilet should be drained last. Simply depress the flush pedal for about one minute to allow trapped water to drain. You do not need to block the dump valve blade open.

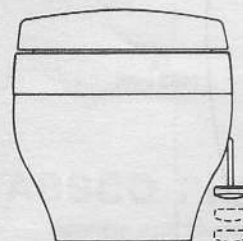
CLEANING

Use only liquid cleaner or mild detergent to clean and sanitize. Use of abrasive or acidic cleansers will damage toilet finish. *Do not use powdered cleanser.*

OPERATION

1. Rinse bowl before using. First half of pedal movement fills bowl. Allow about one inch (1") of water for wet bowl.
2. Flush by fully depressing pedal. Release pedal when bowl is clear. A small amount of water will remain in bowl after flushing.

NOTE: A layer of toilet tissue on wet bowl prior to use will help clear bowl of solid waste with a minimum use of flush water.



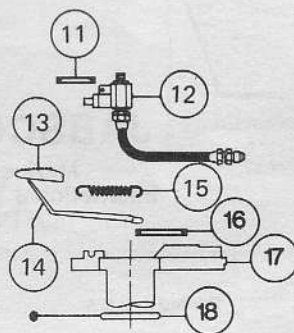
- 1 - Water Only
- 2 - Flush Bowl

PARTS LIST

Key	Description	Part Number	Quantity
1.	Lid White Gold	18047-0010 18047-0016	1
2.	Seat White Gold	18046-0010 18046-0016	1
3.	Pivot Pin	18034-0000	2
4.	Upper Housing White Gold	18036-0010 18036-0016	1
5.	Vaccum Breaker	18035-0000	1
6.	Gasket, Bowl Seal	18044-0000	1
7.	Bowl (See Note)	18043-0000	1
8.	Gasket, Blade Seal	18042-0000	1
9.	Flush Assembly (See Note)	18038-0000	1
10.	Lower Housing White Gold	18074-0010 18074-0016	1
11.	Water Valve Connector	18050-0000	1
12.	Water Valve Assy. with Conn.	43085-0000	1
13.	Pedal	18041-0000	1
14.	Pedal Level Rod	18053-0000	1
15.	Spring	18052-0000	1
16.	Blade, Connector	18048-0000	1
17.	Dump Valve Assy. (See Note)	43084-0000	1
18.	Gas Seal	18039-0010	1
19.	Screw	91045-0361	4
20.	Gasket & Seal Kit (See Note)	18309-0000	1

NOTE: It is recommended when replacing Key items 7, 9 or 17 that the gasket and seal kit, Key 20, be installed.

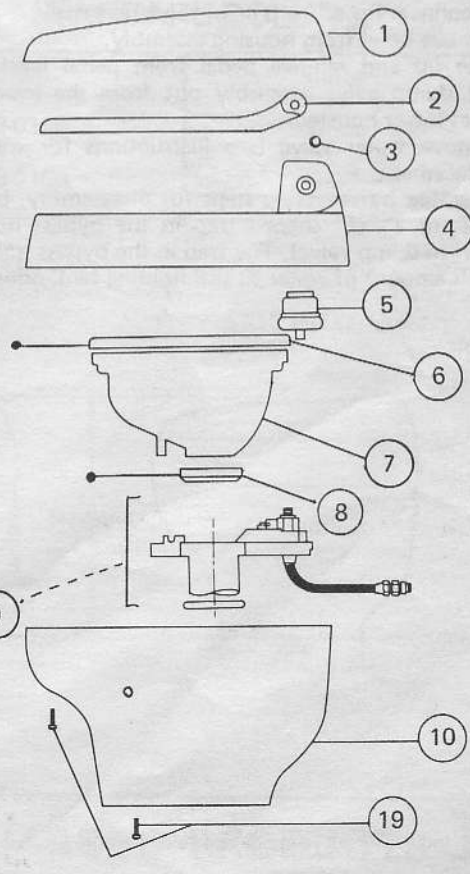
• Indicates item in Gasket & Seal Kit, Key 20



TROUBLE SHOOTING

Sympton	Cure
Flush pedal works harder than normal, or sluggish return when released.	Spray a light film of silicon lubricant on dump valve blade and internal control linkages. Check control linkages for binding due to wear or loose nuts.
Water continues to run after pedal is released.	Check inside control linkages for binding due to wear or loose valve nut. Replace water valve if water continues running into bowl.
Flush water less powerful than normal or no flush water at all.	Check other water fixtures to see if water system is operating. Check water valve control linkages. Check plumbing lines for flow restrictions.
Toilet rinses but will not flush.	Check control linkages for binding due to wear and/or loose nuts. Locate dump valve linkage and turn dump valve shaft manually to determine if blade fails to move with shaft. If so, replace dump valve assembly.
Toilet leaking on floor.	Carefully check all connections to determine source of leak. Replace valve or seals as necessary. Check holding tank level.

EXPLODED VIEW



SERVICE

The Malibu is extremely easy to service. The top housing can be lifted off (with removal of a single screw) to expose all internal functional parts. For much of the services it is not necessary to disturb plumbing connections or remove the toilet from the holding tank, and many of the components are replaced as a unit for easy servicing.

A. LID OR SEAT REPLACEMENT

1. Using a 9 inch #2 Phillips screwdriver with a 4 or 5 inch blade, remove screw located within recess under front contour.
2. Lift lid and seat and pull front of top housing away from bowl about two inches. Close lid and pressing through rear slot disengage upper housing and lift free.
3. Push out pivot pins from inside upper housing to separate seat and lid.

B. VACUUM BREAKER REPLACEMENT

1. Remove upper housing assembly as in "A" above.
2. Press side clasp on vacuum breaker to disengage it from lower housing.
3. Disconnect water hoses from vacuum breaker.
4. Replace entire vacuum breaker assembly.

C. WATER VALVE REPLACEMENT

1. Remove upper housing as in "A" above.
2. Disconnect inlet line.
3. Disconnect discharge hose (valve to bowl) from valve.
4. Remove water valve nut, lock washer and actuating arm.
5. Remove valve mounting screw behind valve and pull out valve assembly.
6. When installing new valve be sure to slip mounting flange all the way to the front of the toilet before tightening screw.

D. DUMP VALVE AND BOWL REPLACEMENT

1. Disconnect water inlet line.
2. Remove upper housing assembly as in "A" above.
3. Remove toilet lower housing from floor (refer to instructions for installation).
4. Remove three screws from underside of lower housing. Use of #2 Phillips screwdriver with at least a 6-1/2 inch blade.
5. Disconnect hoses from bowl to water valve.
6. Remove bowl from housing assembly.
7. Snap up and remove pedal from pedal level rod and pull dump valve assembly out from the inside of the toilet lower housing.
8. Remove water valve (see instructions for water valve replacement).
9. Assemble by reversing steps for disassembly, being sure to form a "U" shaped trap in the bypass hose (from bowl to dump valve). The trap in the bypass hose holds a small amount of water to seal holding tank odor.

JABSCO PRODUCTS **ITT**

Marine and Recreation Components Division
International Telephone and Telegraph Corporation
1485 Dale Way, Costa Mesa, California 92626

Telephone: (714) 545-8251