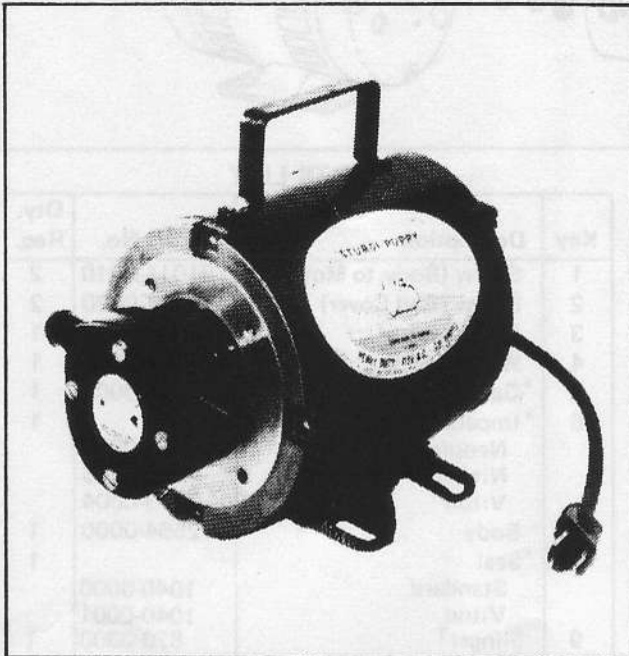


**JABSCO****Model 12290-SERIES****⚠ MOTOR WARNING**

MOTOR CAN SPARK.  
EXPLOSION & DEATH  
CAN OCCUR.  
DO NOT USE WHERE  
FLAMMABLE VAPORS  
ARE PRESENT.

EXCEPT 12970-0004

**APPLICATIONS**

Designed as a low cost pump for: transfers, circulation, spill returns, filtration and filling line use. Easily handles pure solutions, foaming liquids, emulsions, suspended solids and ferments with viscosities less than 500 SSU (120 cp). Because the plastic pump is resistant to corrosion and metallic contamination, it is widely used for pumping photo chemicals, plating compounds, lab solutions, pharmaceuticals, cosmetics, weak acids, alkalies, liquid fertilizers, insecticides, dyes, detergents, waxes and many more.

See the Jabsco Chemical Resistance Table in the Industrial Catalog, available upon request from ITT Jabsco, which has been prepared to help you select the most suitable impeller and pump material.

**OPERATING INSTRUCTIONS**

- 1. INSTALLATION** — Pump may be mounted in any position. Intake port is on right when viewing pump end cover.
- 2. SELF-PRIMING**—Vertical dry suction lift of 10 feet (3m). Pump will produce suction lift up to 22 feet (6,7m) when wetted. **BE SURE SUCTION LINES ARE AIR TIGHT OR PUMP WILL NOT SELF-PRIME.**

**SELF-PRIMING PUMPS  
FEATURES**

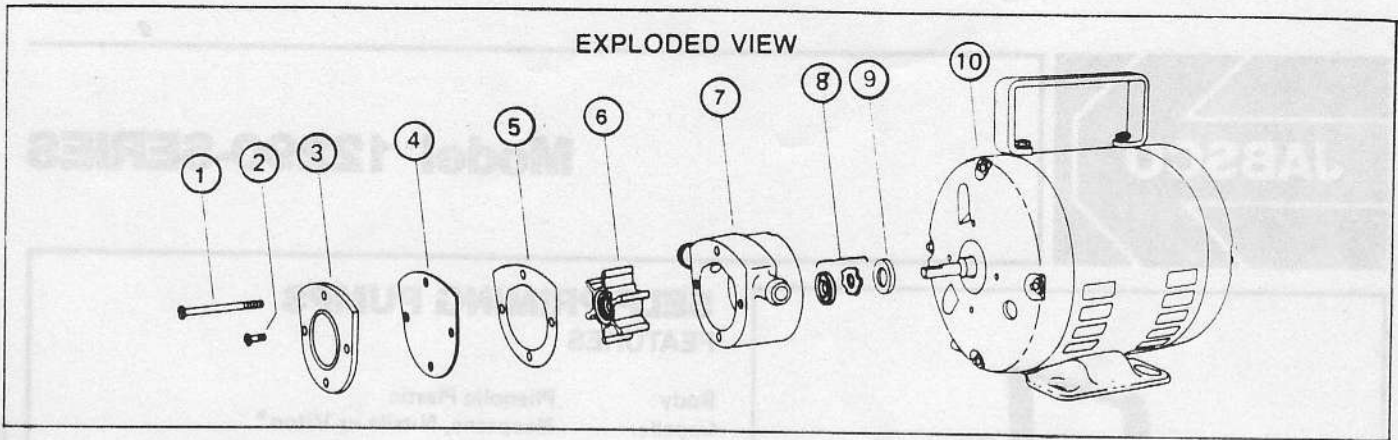
Body: Phenolic Plastic  
 Impeller: Neoprene, Nitrile or Viton\*  
 Seal: Lip Type  
 Ports: 5/8" O D for Hose Connections  
 Shaft: Shaft of Motor (Stainless Steel)  
 Motor: 115 Vac, 1/6 hp, 1750 RPM,  
 60 Hz, relay start and thermal  
 over-load protector,  
 Three-prong grounded plug  
 Weight: 12 lbs approx. (5, 4 kg)

MODEL	DESCRIPTION
12290-0001	Neoprene Impeller; Open Drip Proof Motor
12290-0003	Nitrile Impeller; Open Drip Proof Motor
12290-0004	Viton Impeller and Seal; Open Drip Proof Motor
12290-0271	Neoprene Impeller; Totally Enclosed Motor
12290-0274	Viton Impeller and Seal; Totally Enclosed Motor
12970-0004	Viton Impeller and Seal; Explosion Proof Motor

MODEL 12290-SERIES

- 3. DISCHARGE LINE**—When transferring liquids further than 25 feet (7,6m), use 3/4 inch (17,5mm) discharge line.
- 4. RUNNING DRY** — Unit depends on liquid pumped for lubrication. **DO NOT RUN DRY FOR MORE THAN 30 SECONDS.** Lack of liquid will damage the impeller and other pump components.
- 5. NOTICE**—When corrosive fluids are handled, pump life will be prolonged if pump is flushed with water after each use or after each work day. For further information, contact factory.
- 6. PRESSURES** — For continuous operation, pressure should not exceed 15 psi (1,05 kg/cm<sup>2</sup>).
- 7. TEMPERATURES**—Impellers are suitable for service as follows: Neoprene impeller 45° to 180°F (4,4° to 82,2°C), Nitrile impeller 50° to 180°F (10° to 82,2°C) and Viton impeller 60° to 180°F (15,6° to 82,2°C).
- 8. SPARE PARTS**—A Jabsco Service Kit should be kept on hand to maintain all but the most badly worn pumps.

\*Viton is a trademark of E. I. Du Pont de Nemours and Company.



**SERVICE INSTRUCTIONS**

**DISASSEMBLY**

1. Remove end cover screws, end cover, wearplate and gasket.
2. Remove impeller.
3. Remove body.
4. Pry seal retainer from seal cavity and press seal out of cavity from impeller bore side.

**NOTE: Inspect all parts for wear or damage and replace if necessary.**

**ASSEMBLY**

1. Press seal into seal cavity with lip towards impeller bore until it bottoms firmly against shoulder. Center seal retainer (concave side up) in seal cavity and press it firmly against seal using 11/16" dia. dowel or 3/8" steel pipe.
2. Install slinger on motor shaft. †
3. Install body on motor shaft loosely.
4. Install impeller in lubricated impeller bore.
5. Lubricate impeller face.
6. Install gasket, wearplate and end cover on body and secure with short screws.
7. Secure body to motor with long screws.

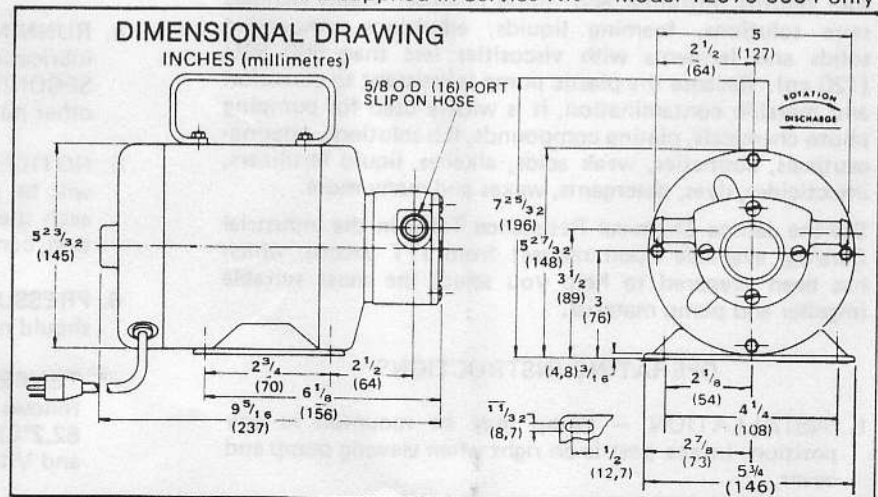
**PARTS LIST**

Key	Description	Part No.	Qty. Req.
1	Screw (Body to Motor)	91014-0010	2
2	Screw (End Cover)	91014-0020	2
3	End Cover	12555-0000	1
4	Wearplate	12557-0000	1
5	*Gasket	12558-0000	1
6	*Impeller		1
	Neoprene	7273-0001	
	Nitrile	7273-0003	
	Viton	7273-0004	
7	Body	12554-0000	1
8	*Seal		1
	Standard	1040-0000	
	Viton	1040-0001	
9	Slinger †	879-0000	1
10	Motor		1
	Open Drip Proof	18740-0000	
	Explosion Proof	18741-0000	
	Totally Enclosed	18742-0000	
	Replacement Pump Head		
	w/Neoprene Impeller	12590-0011	
	w/Nitrile Impeller	12590-0003	
	w/Viton Impeller	12590-0021	
	Service Kit		
	w/Neoprene Impeller	90126-0002	
	w/Nitrile Impeller	90126-0013	
	w/Viton Impeller	90126-0004	

\*Parts supplied in Service Kit †Model 12970-0004 only

TOTAL HEAD		FLOW			
psi	kg/cm <sup>2</sup>	feet of water	metres of water	GPM	l/min
4.3	0,30	10	3,0	5.8	22
8.7	0,61	20	6,1	5.0	18,9
13.0	0,91	30	9,1	3.8	14,4

Table shows approximate Head-Flow for new pump in U.S. Gallons (and litres) with Neoprene Impeller. Capacities reduced approximately 10% with Nitrile or Viton Impellers.



**THE PRODUCTS DESCRIBED HEREIN ARE SUBJECT TO THE JABSCO ONE YEAR LIMITED WARRANTY, WHICH IS AVAILABLE FOR YOUR INSPECTION UPON REQUEST.**

**ITT JABSCO**

A Unit of ITT Corporation  
1485 Dale Way, P.O. Box 2158  
Costa Mesa, CA 92628-2158  
Telephone: (714) 545-8251