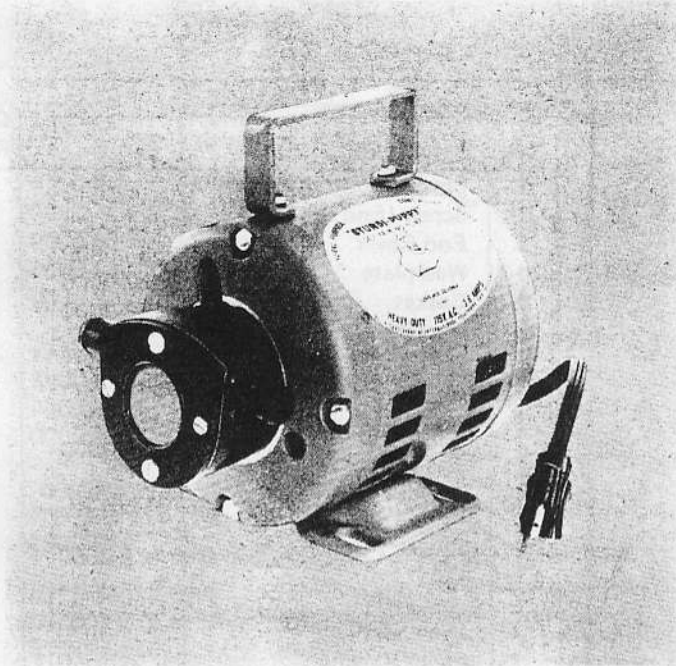


# JABSCO® PUMPS

Self-Priming Pumps

# MODEL: 12290-0001

Product Data  
Formerly P6-M6



MODEL: 12290-0001

## DESIGN FEATURES

Body:	Phenolic Plastic
Impeller:	Neoprene
Seal:	Lip Type
Ports:	5/8" O.D. for Hose Connections
Shaft:	Shaft of Motor (Stainless Steel)
Motor:	115 volt AC, 1/6 H.P., 1750 RPM, 60 cycle, relay start and thermal over-load protector
Weight:	Three-prong grounded plug 12 lbs.(approx.) (5.4 kg)

## VARIATIONS AVAILABLE

MODEL	VARIATION
12290-0003	Nitrile Impeller
12290-0004	Viton Impeller and Seal
12290-0271	Neoprene Impeller; Totally Enclosed Motor
12290-0274	Viton Impeller and Seal; Totally Enclosed Motor
12970-0004	Viton Impeller and Seal; Explosion Proof Motor

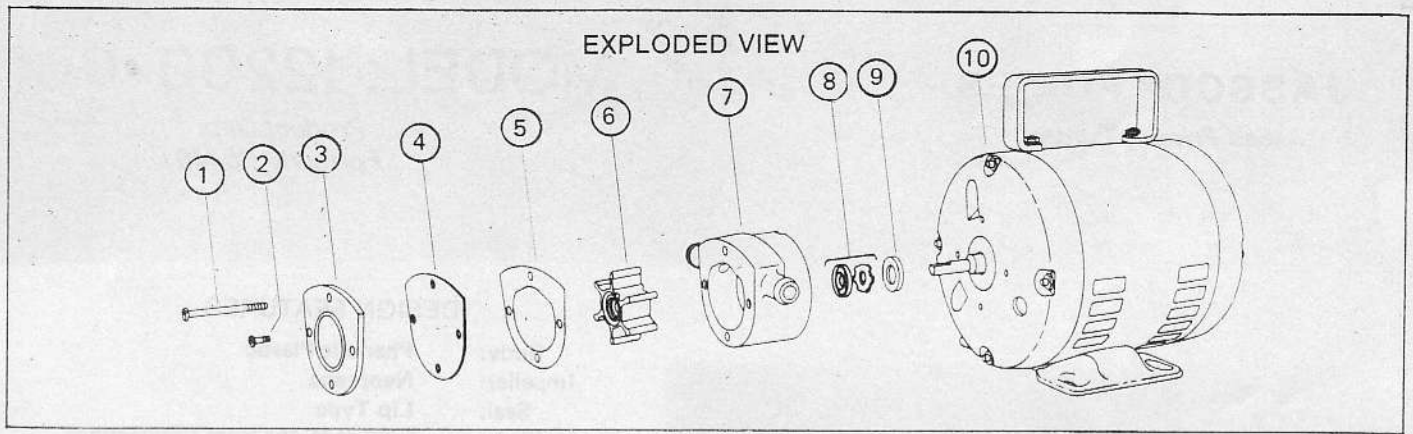
## APPLICATIONS & OPERATING INSTRUCTIONS

Designed as a low cost pump for: "transfers", "circulation", "spill returns", "filtration" and "filling line" use. Easily handles pure solutions, foaming liquids, emulsions, suspended solids, gels and ferments. Because the plastic pump is resistant to corrosion and metallic contamination, it is widely used for pumping photo chemicals, plating compounds, lab solutions, pharmaceuticals, cosmetics, weak acids, alkalies, liquid fertilizers, insecticides, dyes, detergents, waxes and many more.

See the JABSCO Pump "Chemical Resistance Table" in the Industrial Catalog, which has been prepared to help you select the most suitable impeller and pump material.

1. INSTALLATION—Pump may be mounted in any position. Intake port is on right when viewing end cover.
2. SELF-PRIMING—Vertical dry suction lift of 10 feet (3m). Pump will produce suction lift up to 22 feet (6.7m) when wetted. BE SURE SUCTION LINES ARE AIR TIGHT OR PUMP WILL NOT SELF-PRIME.
3. DISCHARGE LINE—When transferring liquids further than 25 feet (7.6m), use 3/4 inch (17.5mm) discharge line.
4. RUNNING DRY—Unit depends on liquid pumped for lubrication. DO NOT RUN DRY FOR MORE THAN 30 SECONDS. Lack of liquid will burn the impeller and damage the plastic components.
5. CAUTION—If corrosive fluids are handled, pump life will be prolonged, if flushed with water after each use or after each work day. Consult JABSCO Pump Chemical Resistance Table in the Industrial Catalog. For further information, contact factory.
6. PRESSURES—For continuous operation, pressure should not exceed 15 PSI (1.05 kg/sq cm).
7. TEMPERATURES—Impellers are suitable for service as follows: Neoprene impeller 45° to 180°F (4.4° to 82.2°C), Nitrile impeller 50° to 180°F (10° to 82.2°C) and Viton impeller 60° to 180°F (15.6° to 82.2°C).
8. SPARE PARTS—A Jabsco Service Kit should be kept on hand to maintain all but the most badly worn pumps.

# JABSCO PRODUCTS **ITT**



### SERVICE INSTRUCTIONS

#### DISASSEMBLY

1. Remove end cover screws, end cover, wearplate and gasket.
2. Remove impeller.
3. Remove body.
4. Pry seal retainer from seal cavity and press seal out of cavity from impeller bore side.

NOTE: Inspect all parts for wear or damage and replace if necessary.

#### ASSEMBLY

1. Press seal into seal cavity with lip towards impeller bore, until it bottoms firmly against shoulder. Center seal retainer (concave side up) in seal cavity and press firmly against seal, using 11/16" dia. dowel.
2. Install body on motor shaft loosely.
3. Install impeller in lubricated impeller bore.
4. Lubricate impeller face.
5. Install gasket, wearplate and end cover on body and secure with short screws.
6. Secure body to motor with long screws.

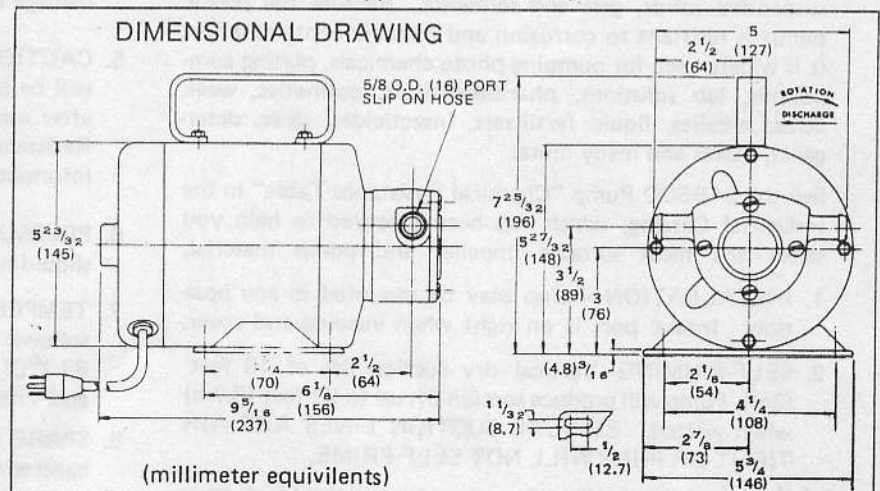
### PARTS LIST

Key	Description	Part No.	Qty. Req.
1	Screw (Body to Motor)	91014-0010	2
2	Screw (End Cover)	91014-0020	2
3	End Cover	12555-0000	1
4	Wearplate	12557-0000	1
5	*Gasket	12558-0000	1
6	*Impeller		1
	Neoprene	7273-0001	
	Nitrile	7273-0003	
	Viton	7273-0004	
7	Body	12554-0000	1
8	*Seal		1
	Standard	1040-0000	
	Viton	1040-0001	
9	Slinger	879-0000	1
10	Motor		1
	Standard	93004-0790	
	Explosion Proof	93004-0920	
	Totally Enclosed	93004-1570	
	Replacement Pump Head w/Neoprene Impeller	12590-0011	
	w/Nitrile Impeller	12590-0003	
	w/Viton Impeller	12590-0021	
	Service Kit		
	w/Neoprene Impeller	90126-0002	
	w/Nitrile Impeller	90126-0013	
	w/Viton Impeller	90126-0004	

\*Parts supplied in Service Kit

TOTAL HEAD		1750 RPM	
P.S.I. (Kg/cm <sup>2</sup> )	Feet of Water (Meters)	GPM	(L/min)
4.3 (.30)	10 (3.0)	5.8 (22)	
8.7 (.61)	20 (6.1)	5.0 (18.9)	
13.0 (.91)	30 (9.1)	3.8 (14.4)	

Table shows approximate Head-Flow for new pump in U.S. Gallons (and liters) with Neoprene Impeller. Capacities reduced approximately 10% with Nitrile or Viton Impellers.



## JABSCO PRODUCTS ITT

Marine and Recreation Components Division  
International Telephone and Telegraph Corporation  
1485 Dale Way, Costa Mesa, California 92626

Telephone: (714) 545-8251