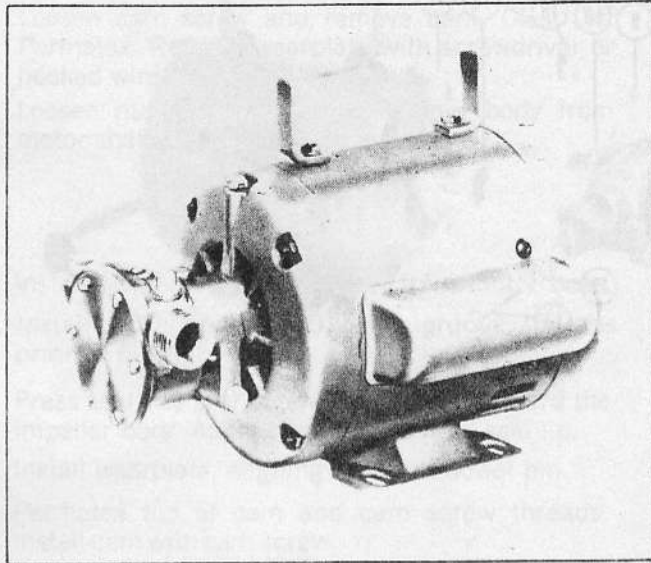


# JABSCO®

## MODEL 11810-0001 11810-0003

SELF-PRIMING PUMPS

PRODUCT DATA



### DESIGN FEATURES

- Body: Bronze Construction
- Impeller: Model 11810-0001 – Jabsco Neoprene Compound  
Model 11810-0003 – Jabsco Nitrile Compound
- Shaft: Motor Shaft is used – Steel with special Stainless Steel Sleeve
- Wearplate: Replaceable
- Shaft Seal: Mechanical Lip Type
- Ports: Both 3/4" Garden Hose External Thread and 1/2" Internal Pipe Thread
- Motor: 1/3 H.P., Capacitor Type, Single Phase, Overload Protector, 1725 RPM, 60 Cycle, 115 Volt A.C., with 8 ft. cord, 3 prong grounded plug
- Weight: 20 Lbs. (9.1 kg) approximately

MODEL 11810-0001 11810-0003

### HEAD CAPACITY TABLE

Lbs. per Sq. In.	(Kg/sq cm)	Feet of Water	(Meters)	GPM	(L/min)
4.3	(.3)	10	( 3)	9.5	(35.9)
8.7	(.6)	20	( 6)	7.6	(28.8)
13.0	(.9)	30	( 9)	6.0	(22.7)
17.3	(1.2)	40	(12)	4.2	(15.9)

### TYPICAL APPLICATIONS

#### MARINE

Bait tank circulation • Bilge pumps • Transfer oil\* • Wash down • Utility dock pumps

#### INDUSTRIAL

Circulate coolant on machine tools\* • Industrial filling systems • Utility shop pump • Transfer gum arabic • Transfer distilled water • Recharge water softeners • Ice water recirculation\* • Hydrostatic pressure testing • As vacuum pump • Aspirating pump

\* Use nitrile impeller

#### FOOD, BEVERAGE & DAIRY

Circulate cooling water • Defrost refrigeration coils • Fill drums • Wash down equipment and floors • Utility pump

#### HOME

Fill and empty tubs, pools • Empty basements • Cesspools • Water systems • Water lawns, gardens • Remove water from low areas • Recharge water softeners

#### PLUMBING

Empty clogged sumps, drains, sinks, tubs • Pump out water closets

#### FARM

Fill tractor tires • Fill water tanks • Pump out silo pits, liquid manures • Transfer oil\* • Flush and clean animal pens

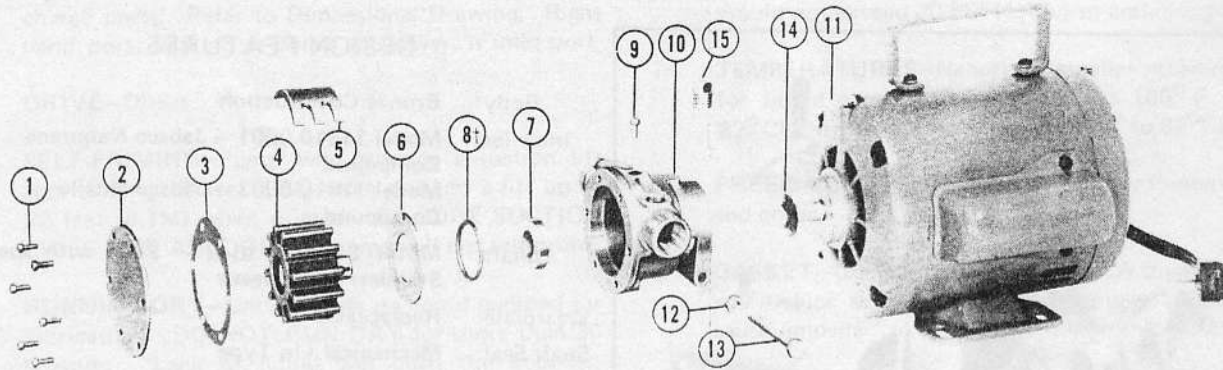
#### CONTRACTORS

Remove water from excavations • Supply water to mortar boxes, cement mixing • Wash down equipment

# ITT JABSCO

Form 43000-0068 REV 9-80

EXPLODED VIEW



Insist on genuine Jabsco parts — made only by the ITT Jabsco Products — the original and world's leading manufacturer of self-priming flexible neoprene impeller pumps.

PARTS LIST

KEY	DESCRIPTION	PART NUMBER	QTY.
1	Screw (End Cover)	91002-0020	6
2	End Cover	11830-0000	1
3*	Gasket	11816-0000	1
4*	Neoprene Impeller	5929-0001	1
	Nitrile Impeller	5929-0003	1
5	Cam	490-0001	1
6	Wearplate	2235-0000	1
7*	Seal (Shaft)	92700-0420	1
8*	"O" Ring	92000-0540 <sup>†</sup>	1
9	Screw (Cam)	91003-0010	1
10	Body	11814-0000	1
11	Motor (Incl. handle & cord)	93004-0760	1
12	Nut	91105-0030	1
13	Bolt	91095-0090	1
14	Slinger	6946-0000	1
15	Plug (for vacuum switch hole)	92650-0070	1

4732-0000 —VACUUM SWITCH KIT— automatic shut off for use when pump is left unattended.

\* Parts contained in service kit.

† Not required in pumps manufactured after June, 1972

SERVICE KITS

PUMP MODEL NUMBER	SERVICE KIT NUMBER
11810-0001	90105-0001 Neoprene Impeller
11810-0003	90105-0003 Nitrile Impeller
Kits consist of: Impeller, seal, gasket & "O" Ring.	

REPLACEMENT PUMP HEADS COMPLETE

PUMP MODEL NUMBER	PUMP HEAD NUMBER
11810-0001	11818-0001 Neoprene Impeller
11810-0003	11818-0003 Nitrile Impeller

# SERVICE INSTRUCTIONS

## DISASSEMBLY

1. Remove end cover screws, gasket and end cover.
  2. Grasp impeller hub with water pump pliers and withdraw from body.
  3. Loosen cam screw and remove cam. Clean off Permatex. Remove wearplate with screwdriver or hooked wire.
  4. Loosen nut at body clamp. Remove body from motor shaft.
  5. Press out seal from motor mounting end of body towards impeller bore. Remove "O" ring from "O" ring groove using hooked wire (pumps prior to 6-72).
  6. Remove slinger from shaft.
- NOTE: Inspect all parts for wear or damage and replace if necessary. When returning to factory for repair—return the pump head only, unless motor repair is required.

## ASSEMBLY

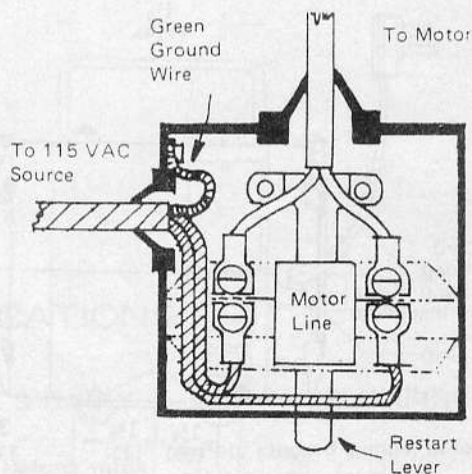
1. Install slinger and position  $\frac{1}{4}$ " from motor boss.
2. Install "O" ring in "O" ring groove (pumps prior to 6-72).
3. Press seal into seal bore with lip facing toward the impeller bore. Apply grease to back of seal lip.
4. Install wearplate, aligning slot with dowel pin.
5. Permatex top of cam and cam screw threads. Install cam with cam screw.
6. Install body on motor. Tighten nut at clamp. Do not overtighten or binding of shaft will result.
7. Lubricate impeller bore with Marfak 2HD grease or equivalent.
8. Lubricate shaft O.D. with grease, align drive ding in extended impeller insert with flat on shaft and install impeller.
9. Install gasket, end cover and end cover screws.

## TO EQUIP WITH VACUUM SWITCH

1. Install switch in tapped hole on top of inlet port. (Permatex threads prior to assembly).
2. Connect switch to motor. See diagram.
3. Plug into 110 AC outlet and hold down restart lever on switch until the pump primes.

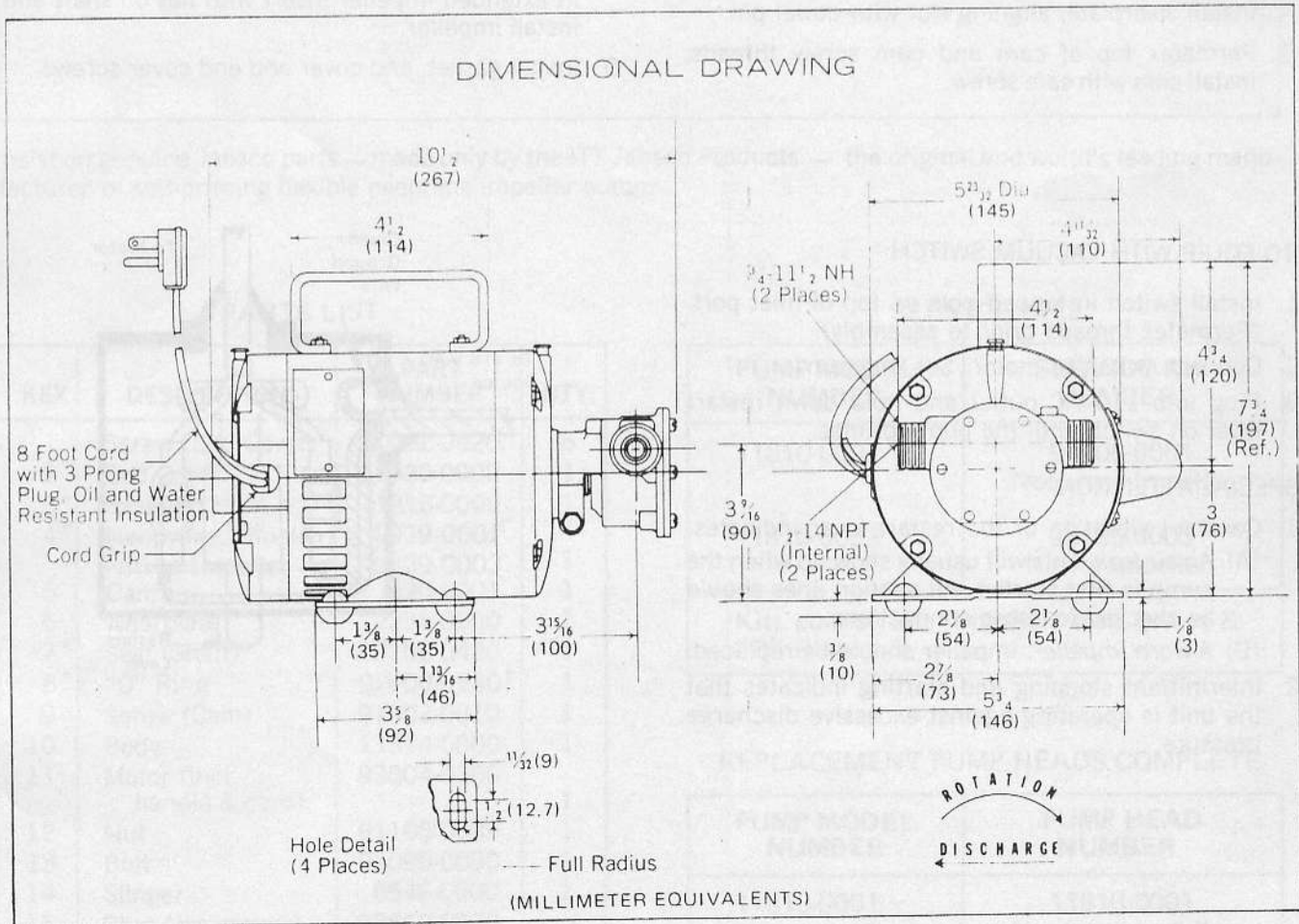
## SPECIAL ATTENTION

1. Constant vibration of the restart lever indicates:
  - (A) *An air leak.* This will usually show up when the pump is first started. All suction lines should be checked for loose connections.
  - (B) *A worn impeller.* Impeller should be replaced.
2. Intermittent stopping and starting indicates that the unit is operating against excessive discharge pressure.



## OPERATING INSTRUCTIONS

1. **INSTALLATION**—Pump may be mounted in any position without loss of efficiency; however, it is suggested that the pump head be down if vertical mounting is desired. The rotation of the motor shaft determines the location of the pump's intake and discharge ports. Refer to Dimensional Drawing. Right hand port, looking at pump end cover, is inlet port.
2. **DRIVE**—Direct.
3. **SELF-PRIMING**—Pump will produce a suction lift approaching 10 feet (3M) when dry and a lift up to 22 feet (6.7M) when primed. **BE SURE SUCTION LINES ARE AIRTIGHT** or pump will not self-prime.
4. **RUNNING DRY**—Unit depends on liquid pumped for lubrication. **DO NOT RUN DRY** for more than 30 seconds. Lack of liquid will burn the impeller.
5. **CAUTION**—Do not pump solvents, thinners, highly concentrated or organic acids. If corrosive fluids must be handled, pump life will be prolonged if flushed with water after each use or after each work day. **MOTOR IS NOT EXPLOSION PROOF.**
6. **PRESSURES**—For continuous operation, pressure should not exceed 20 PSI (1.4 kg/sq cm).
7. **TEMPERATURES**—Neoprene impeller recommended for liquid temperatures of 45° to 180° F (7° to 82° C). Nitrile: 50° to 180° F (10° to 82° C).
8. **FREEZING WEATHER**—Drain unit by loosening the end cover.
9. **GASKET**—Use standard pump part. A thicker gasket will reduce priming ability. A thinner gasket will cause impeller to bind. Standard thickness .010.
10. **SPARE PARTS**—A Jabsco Service Kit should be kept on hand to service all but the most badly worn 11810-Series pump.



**ITT JABSCO**

MARC Division  
International Telephone and Telegraph Corporation  
1485 Dale Way, Costa Mesa, California 92626  
Telephone: (714) 545-8251