

VR050 12/24V Fuel Transfer Pump

Features

- Faster refuelling - 50 litres/minute (13 GPM)
- High head capability - 10 metres (32 feet.)
- Self priming up to 3 metres (9.6 feet.)
- Continuously rated*
- Vibration tested
- IP55 protected motor
- 24V version with thermal cut-out protection
- Full range of installation accessories
- Customised kits for OEM customers



Typical Applications

- Designed for refuelling medium sizes diesel powered vehicles [typical tank sizes 200 - 500 litres (50 - 200 gallons)] from drums.
- Suitable for mounting to the following equipment: Excavators, Cranes, Road rollers (compactors), Pavers, Agricultural machines, Generators, Helicopters.
- Suitable for diesel fuel, Kerosene, Paraffin, Hydraulic oils, Oils up to 150 centi Stokes (750 Saybolt Universal) viscosity.

Specifications

Temperature Range : -30°C to +50°C (-22°F to +104°F)

Pump Body : Cast Iron

Rotor : Sintered Iron

Vanes : Sintered Bronze

Shaft : Carbon Steel

Seal : Nitrile Lip Seal.

Ports : Vertical 3/4" BSP or 25mm hose adaptors (1").

Motor : 12V or 24V DC permanent magnet, corrosion resistant IP55 protected

Duty : *Continuously rated up to 3 metres (10 ft.), total head of diesel fuel at 40°C (104°F).

Model Range

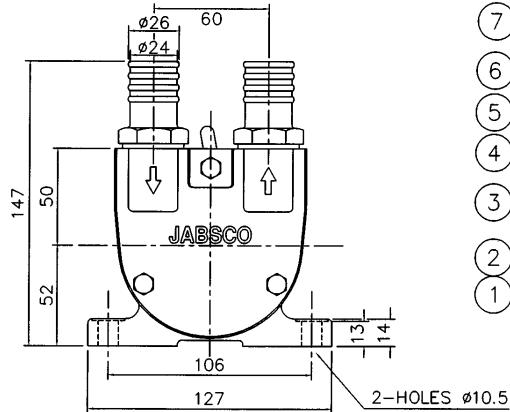
Model number	Description
VR050-2022	3/4" BSP ports, 12v DC, switch & fuse
VR050-2120	3/4" BSP ports, 24v DC
VR050-2122	3/4" BSP ports, 24v DC, switch & fuse
VR050-1120	25mm (1"), Hose ports, 24v DC
VR050-1022	25mm (1"), Hose ports, 12v DC, switch & fuse
VR050-1122	25mm (1"), Hose ports, 24v DC, switch & fuse
VR050-1123	25mm (1"), Hose ports, 24v DC, automatic shut off controller
VR050-B013	25mm (1"), Hose ports, 24v DC, switch & fuse, fitted with by-pass
Accessories	For further information see Data Sheet 43010-0031
23738-0010B	Check valve kit
23739-0000B	Foot valve kit
23739-0100B	Foot valve with shrouded strainer
23541-0001G	Hose - 25mm (1") bore, [per metre]
23733-0000	Suction strainer 250 micron
50290-1000	Shrouded strainer

WARNING Explosion hazard. Do not pump gasoline, solvents, thinners or other flammable liquids. To do so can cause an explosion resulting in injury or death.

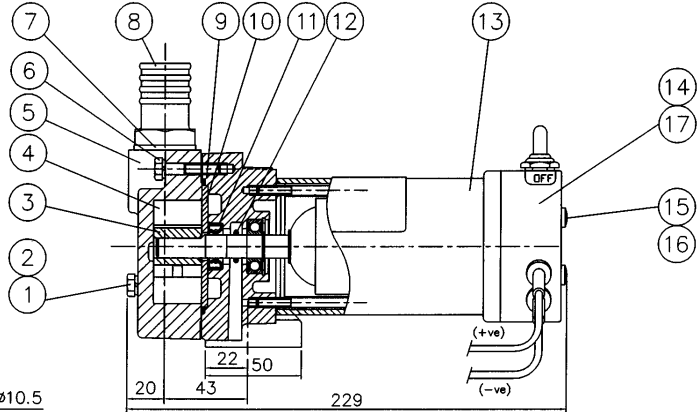
JABSCO®

VR050 Diesel Refuelling Pump

01/03



Dimensions in mm (inches)



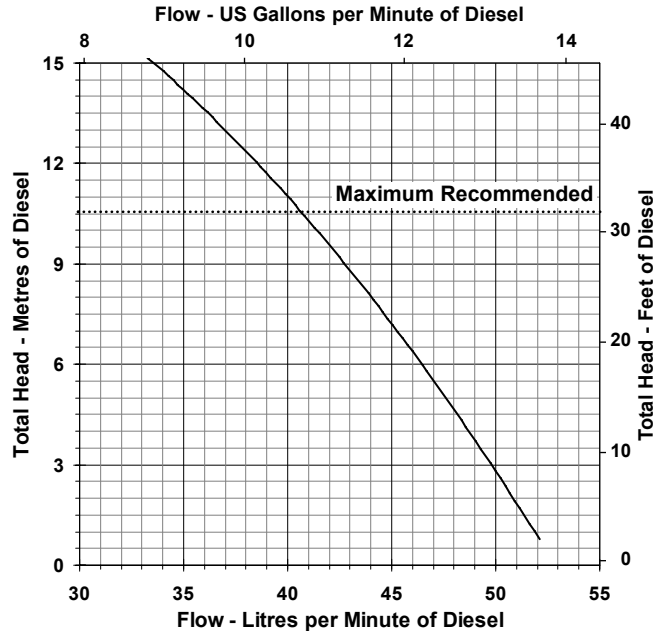
Parts List

Key	Description	Qty	Part No.
1	Bolt M6 x 42	2	X3000-191F
2	Spring washer	3	X3081-091F
3	Rotor	1	50242-0000
4	Vane*	4	Use SK421-0000
5	Body	BSP	1 50244-2000
		NPT	1 50244-9000
6	Bolt M6 x 30	1	X3000-186F
7	Sealing Washer	2	SP1613-1415
8	Port adaptor	2	23543-1000
9	O-Ring*	1	X4020-264A
10	Backplate	1	50246-0000
11	Seal*	1	SP2701-0504
12	O-Ring*	1	X4020-211A
13	Motor With Switch 12V & Fuse 24V Basic 24V	1	98012-9295B
		1	98012-9296B
		1	98012-9297B
14	Switch box assembly	1	96070-6020B
15	Screw (Pack 10)	2	91046-6001B
16	Sealing washer (Pack 10)	2	91608-6001B
17	Fuse (Pack 10)	20 Amp (12V)	1 92005-6020B
		10 Amp (24V)	1 92005-6010B
Service kit contains items marked *			SK421-0000

Note

All performance information is based on diesel fuel at 20°C (68°F). On production product, this may vary by up to 10%. Maximum recommended total head of diesel fuel is 10 metres.

Performance



Current Draw 12V = 12 Amps @ 3m head
24V = 6 Amps @ 3m head

Maximum Current 12V = 20 Amps
24V = 10 Amps

Safety

Do not use for pumping petrol, gasoline or products with a flash point below 37°C (99°F). Do not dry run.

Jabsco



ITT Industries

USA

Jabsco
20 Icon
Foothill Ranch
CA 92610

Tel : +1 949 609 5106
Fax : +1 949 859 1153

UK

Jabsco
Bingley Road
Hoddesdon
Hertfordshire, EN11 0BU

Tel : +44 (0) 1992 450 145
Fax : +44 (0) 1992 467 132

GERMANY

Jabsco GmbH
Oststrasse 28
22844 Norderstedt

Tel : +49 (0) 40 53 53 73 0
Fax : +49 (0) 40 53 53 73 11

Warranty: All products of the company are sold and all services of the company are offered subject to the company's warranty and terms and conditions of sale, copies of which will be furnished upon request. The information provided herein is for guidance only, it does not constitute a guarantee of the performance or specification of any individual product or component.

©Copyright 2003 ITT Industries - Jabsco

43010-0021