



## Models 63020, 63022, 63042

Models 63020, 63022, 63042

### 6" REMOTE CONTROL SEARCHLIGHT

#### FEATURES

- Complete drive unit contained in light head.
- Single lever or touch-pad control for vertical and horizontal light movement.
- Two speed light movement.
- Auto-sweep mode cycles light side-to-side automatically.
- Light will transmit an "SOS" distress signal automatically.
- Designed for salt water with chrome brass housing and base.
- Control is water resistant with plug-in connections.
- Two station operation optional with use of dual station kit.
- Two types of light output:
  - Spot/flood sealed beam bulb, 200,000/50,000 candlepower.
  - Spot beam high intensity discharge bulb, 600,000 candlepower.



63020



63022 AND 63042

| Model      | Voltage | Beam       | Base              |
|------------|---------|------------|-------------------|
| 63020-0012 | 12/24   | Spot/Flood | Chrome Zinc-Short |
| 63022-0012 | 12/24   | Spot/Flood | Chrome Brass-Tall |
| 63022-1224 | 12/24   | Spot/Flood | Chrome Brass-Tall |
| 63042-0012 | 12      | HID Spot   | Chrome Brass-Tall |
| 63042-0024 | 24      | HID Spot   | Chrome Brass-Tall |

Lights include control and 15' cable from control to light. Extension cables can be used to increase cable length.

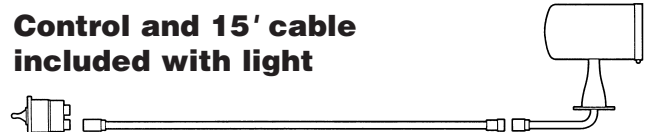
#### ACCESSORIES

| Extension Cables With Plugs |        | Bulk Cable No Plugs |        |
|-----------------------------|--------|---------------------|--------|
| Part Number                 | Length | Part Number         | Length |
| 64042-1011                  | 10'    | 64043-0100          | 100'   |
| 64042-1007                  | 15'    | 64043-0250          | 250'   |
| 64042-1008                  | 25'    | 64043-0500          | 500'   |
| 64042-1009*                 | 50'    | 64043-1000          | 1000'  |

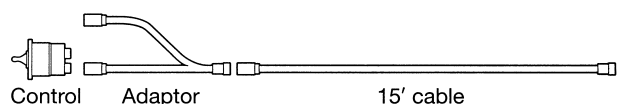
\* This is heavy gauge wire required for runs of 50'.

**Dual Station Kit #64044-0000** Includes control, Y-adaptor and 15' cable. Use for boats with two control locations.

**Cable Plug Kit #64045-0000** Includes male/female plugs with 2' cable for connecting to bulk cable.

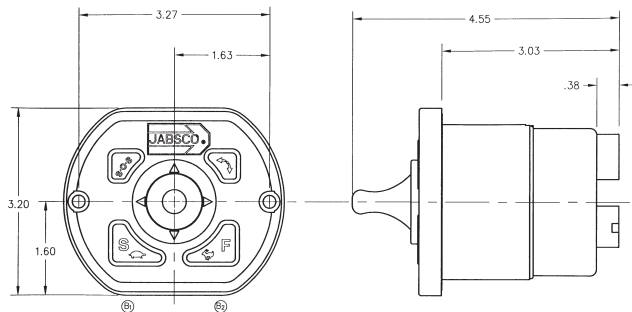


**Dual station kit #64044-0000**



## LIGHT MOUNTING

Light should be mounted forward of the operator's position on the boat. Use the base mounting gasket as a template to drill mounting holes. A 7/8" (20mm) hole is required to pass the cable plug. The short base has a line on the mounting flange to indicate the forward positioning of the light. The cable plug can be pushed below the mounting into the hole or pushed into the base of the tall base model lights. The cable is routed through the boat to the control location.



## CONTROL MOUNTING

1. Select a location near the helm position to mount the control. Check under the mounting area to assure there is adequate clearance for the control.
2. Cut 2-3/4" (70mm) diameter hole for the control and drill two holes for the mounting screws.
3. Power to control must be controlled by the boat running light switch. The searchlight control has LED illumination that will go on with the boat running lights. The searchlight can only be used with the running lights on. The running light circuit must be capable of carrying the following amperage load in addition to the running lights and have a fuse or circuit breaker of appropriate size:

| Bulb Type                | Voltage | Amperage |
|--------------------------|---------|----------|
| Spot/Flood Sealed Beam   | 12      | 15       |
| Spot/Flood Sealed Beam   | 24      | 15       |
| High Intensity Discharge | 12      | 15       |
| High Intensity Discharge | 24      | 20       |

4. Connect the RED control power lead to the switched side of the running light circuit. Connect the BLACK control power lead to a battery negative source. DO NOT connect in reverse polarity, as control damage will result. Use 12–14 gauge wire to extend power leads if necessary.
5. Bring power leads and light cable through hole and plug into back of control.
6. To eliminate electrical interference produced by other electronic components on the boat that might affect the searchlight control, route the searchlight control cable to the light away from other components such as radios, GPS receivers and other navigation units.
7. Insert control with attached cables into hole and fasten with screws. A non-adhesive sealing compound should be used under the control mounting flange.
8. For joy-stick type of control, thread black lever into center hole. For touch-pad operation, insert black cap into threaded hole.

## LIGHT OPERATION

**IMPORTANT** — Do not shine the searchlight in any manner that will impair the vision of other boat operators.

The running light switch for the boat must be “on” for searchlight to operate. With the running light switch “on”, the searchlight control will be illuminated.

**SPOT/SLOW** — Press once to select slow light movement speed and, on spot/flood type lights, to select spot beam. Press again to turn light off.

**FLOOD/FAST** — Press once to select fast light movement speed and, on spot/flood type lights, to select flood beam. On lights with spot beam only, this button selects the fast speed only. Press again to turn light off.

**DIRECTIONAL MOVEMENT** — The center lever is moved left, right, fore and aft to move light head. If desired, the center lever can be unscrewed (counter-clockwise) and the black cap (supplied) can be pressed into the center hole. The light movement is then controlled by touching one of the four arrows.

**AUTO SWEEP** — With the light on, pushing this button will sweep the light in about a 90 degree arc automatically. This is useful in narrow canals and channels, freeing both hands for boat control. Press again to stop auto sweep.

**SOS/DISTRESS** — Press and hold for about five seconds to automatically flash “SOS” in International Morse Code. The light will sweep horizontally while flashing the SOS. Press again to stop the SOS flashing.

**IMPORTANT** — Do not allow anyone to “playfully” transmit the SOS signal! The SOS signal will not be transmitted with the boat’s running lights “off”.

## CIRCUIT PROTECTION

The searchlight control has built-in circuit breaker protection for the searchlight. The breaker can be reset by turning the light on then off with the running lights on.

On 24VDC lights, do not operate the light at less than 18 volts. Turn off the light before recharging battery.

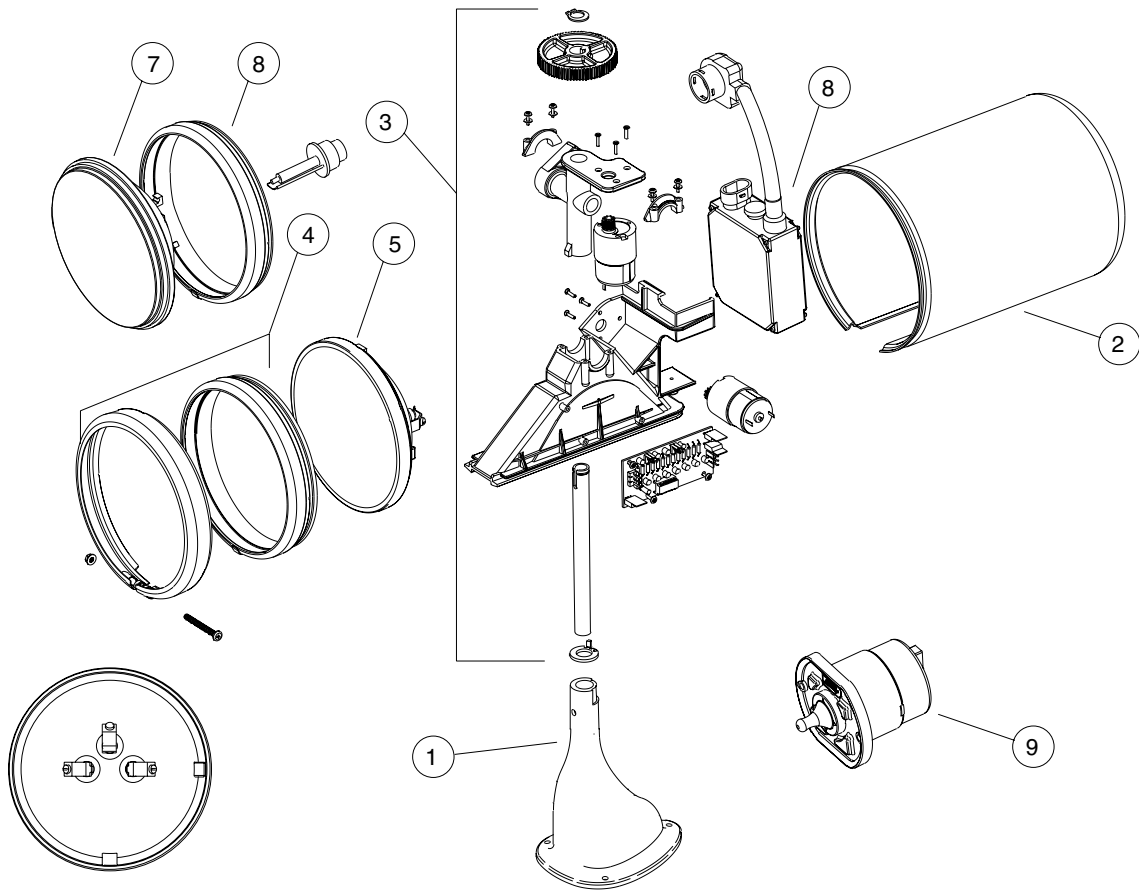
## DUAL STATION CONTROL (OPTIONAL)

The optional Dual Station Control Kit #64044-0000 is used when an additional searchlight control location is desired.

1. Install control in the dual station kit as covered in the “Control Mounting” section of these instructions.
2. Using the 15' cable and Y adaptor included in the dual station kit, connect the cable into the light control cable.

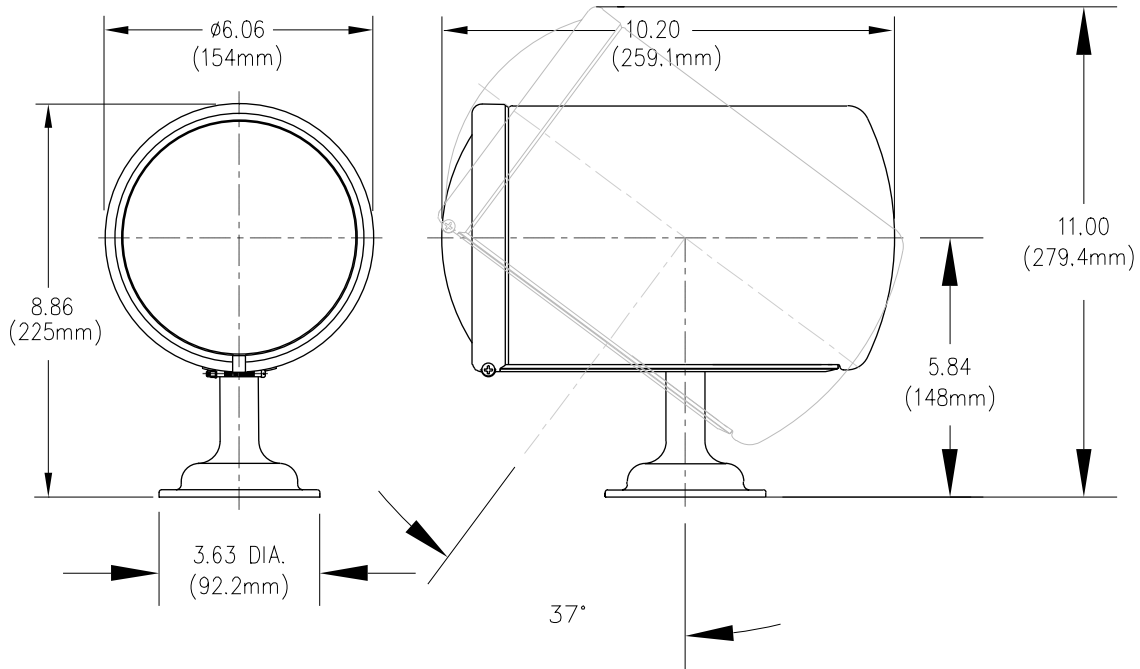
Optional extension cables may be used where necessary to fit the application. Also, the 3 conductor cable may be cut and spliced together if too long.

## EXPLODED VIEW

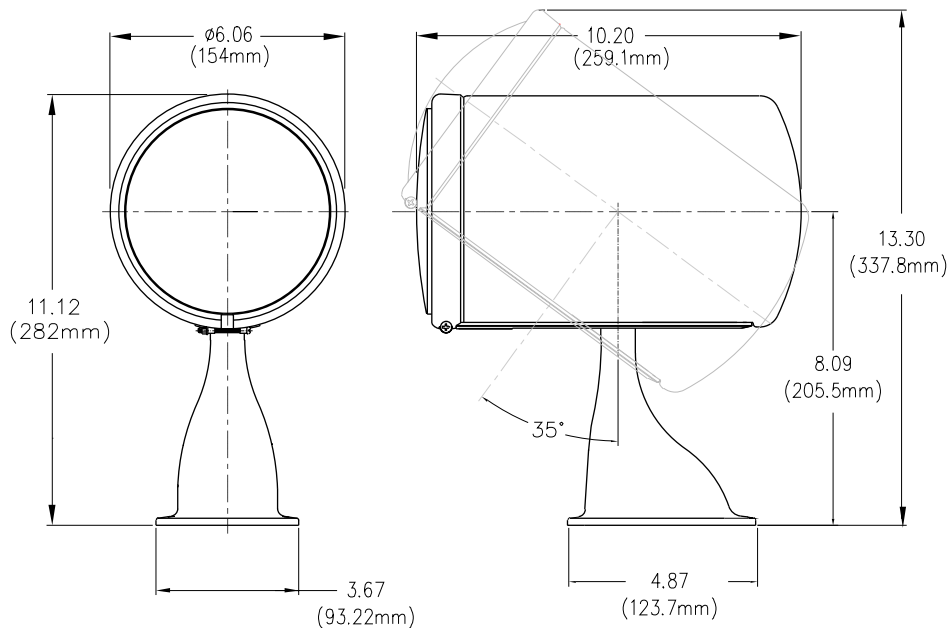


| Key No. | Part Description  | 63020-Series |      | 63022-Series |      | 63042-Series |      |
|---------|---|--------------|------|--------------|------|--------------|------|
|         |   | Part No.     | Qty. | Part No.     | Qty. | Part No.     | Qty. |
| 1       | Base (includes gasket and set screws)<br>Tall Brass Chrome<br>Short Zinc Chrome | ---          | —    | 64046-0000   | 1    | 64046-0000   | 1    |
|         |   | 63130-0000   | 1    | ---          | —    | ---          | —    |
|         |   |              |      |              |      |              |      |
| 2       | Housing   | 64046-0001   | 1    | 64046-0001   | 1    | 64046-0001   | 1    |
| 3       | Motor/Support Assembly<br>12VDC and 24VDC<br>12 VDC for HID<br>24 VDC for HID   | 64046-0002   | 1    | 64046-0002   | 1    | ---          | —    |
|         |   | ---          | —    | ---          | —    | 64046-0003   | 1    |
|         |   | ---          | —    | ---          | —    | 64046-0004   | 1    |
|         |   |              |      |              |      |              |      |
| 4       | Bulb Retaining Ring, Screw and Nut  | 64046-0005   | 1    | 64046-0005   | 1    | 64046-0005   | 1    |
| 5       | Spot/Flood Bulb and Seal<br>12VDC and 24VDC                                     | 64046-0006   | 1    | 64046-0006   | 1    | ---          | —    |
|         |   |              |      |              |      |              |      |
| 6       | HID Bulb<br>12 VDC<br>24 VDC  | ---          | —    | ---          | —    | 64046-0007   | 1    |
|         |   | ---          | —    | ---          | —    | 64046-0007   | 1    |
|         |   |              |      |              |      |              |      |
| 7       | HID Lens, Reflector and Seal  | ---          | —    | ---          | —    | 64046-0009   | 1    |
| 8       | HID Ballast<br>12 VDC for HID<br>24 VDC for HID                                 | ---          | —    | ---          | —    | 64046-0010   | 1    |
|         |   | ---          | —    | ---          | —    | 64046-0011   | 1    |
|         |   |              |      |              |      |              |      |
| 9       | Control   | 43690-1000   | 1    | 43690-1000   | 1    | 43690-1000   | 1    |

## 63020 SERIES



## 63022 AND 63042 SERIES



Jabsco



**ITT Industries**  
*Engineered for life*

THE PRODUCTS DESCRIBED HEREIN ARE SUBJECT TO THE JABSCO ONE YEAR LIMITED WARRANTY, WHICH IS AVAILABLE FOR YOUR INSPECTION UPON REQUEST.

U.S.A.  
Jabsco  
20 Icon  
Foothill Ranch, CA 92610-3000  
Tel: (949) 609.5106  
Fax: (949) 859.1254

UNITED KINGDOM  
Jabsco  
Bingley Road, Hoddesdon  
Hertfordshire EN11 OBU  
Tel: +44 (0) 1992 450145  
Fax: +44 (0) 1992 467132

CANADA  
Fluid Products Canada  
55 Royal Road  
Guelph, Ontario N1H 1T1  
Tel: (519) 821.1900  
Fax: (519) 821.2569

JAPAN  
NHK Jabsco Company Ltd.  
3-21-10, Shin-Yokohama  
Kohoku-Ku, Yokohama, 222  
Tel: 045.475.8906  
Fax: 045.475.8908

GERMANY  
Jabsco GmbH  
Oststrasse 28  
22840 Norderstedt  
Tel: +49-40-53 53 73 -0  
Fax: +49-40-53 53 73 -11