

5" REMOTE CONTROL SEARCHLIGHT

FEATURES

- 100,000 candlepower halogen sealed beam.
- 370° horizontal sweep with 35° up, 30° down vertical motion.
- *Electronically-controlled rotation limit stops.*
- Two-speed control enables fast search and precision targeting.
- On/Off and spot/flood beam selection.
- Electro polished stainless steel housing and base.
- 8ft. (2.5m) wiring cable with optional extension cables.

Model Number	Volts	Head&Base	Bulb Type	Candlepower
62022-4002H	12	Stainless Steel	5" Spot/Flood	100,000/50,000
62026-4002H	12	Stainless Steel	5" Spot/Flood	100,000/50,000

CABLE LISTING

Part Number	Description
43990-0013	10' Cable Assembly
43990-0014	15' Cable Assembly
43990-0015	25' Cable Assembly
43990-0016	35' Cable Assembly
67294-0000	50' Bulk Cable

CONTROLS

Part Number	Description
43670-0003	Primary Control 12 V
43670-0004	Secondary Control Kit 12 V
60070-0000	Primary Control 24 V
18753-0335	Secondary Control Kit 24 V



Model 62022-4002



Model 62026-4002

LIGHT MOUNTING

See base mounting dimensions for appropriate model light. Mount all models with front of base toward direction of most intended use (front of circular base is marked with arrow). Drill screw holes (per dimensional drawing) and a 1-1/8" (28mm) hole at center of base for wiring cable. Drill additional holes for wiring cable through firewalls, bulkheads, etc., for connection to control. With gasket under light base, feed wire through hole and fasten light in place.

NOTE: Cable connectors are provided for easy wiring connections. See Wiring Diagram.

CONTROL MOUNTING

43670-0003 12 VOLT & 60070-0000 24 VOLT

Select a location near the helm which will allow convenient operation of control. Unit may be mounted on vertical, horizontal or inclined panel.

1. Cut 2-5/8" (67mm) diameter hole in flat surface where control is to be mounted.
2. Route power leads (supplied by customer) from power source to control. NOTE: Wiring must be 16 gauge with maximum run of 15 ft.
3. Crimp terminals supplied onto power leads. NOTE: Larger terminal is crimped to positive lead – smaller terminal to negative lead.
4. Insert wiring cable and power leads thru back of hole and plug into control.
5. Use bedding compound or sealant to waterproof control mounting.
6. Secure control with self-tapping screws provided.

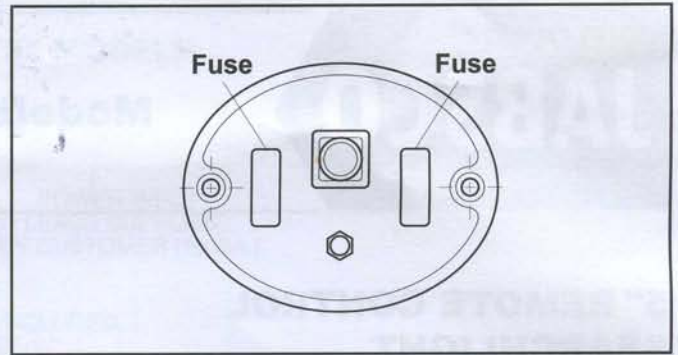
CIRCUIT PROTECTION

Two (2) automotive type fuses are included in the control. One (10 amp) protects the bulb circuit, the other (3 amp) protects the motor circuit.

TROUBLESHOOTING

All lights are thoroughly inspected before shipping and are warranted to operate within specifications. If light does not operate correctly, **CHECK FUSES, AND WIRE HARNESS CONNECTIONS BEFORE PROCEEDING WITH THIS TROUBLESHOOTING.**

PROBLEM	SOLUTION
1. Dual filament bulb works in reverse.	Reverse orange and gray wires at the bulb terminals.
2. Control lever works in reverse in all directions.	Power leads to control are reversed.
3. Light moves in only three of the possible four directions. . .	A. Check connectors. B. Replace control. C. If problem persists, return light & control for service.
4. Dim light (low voltage).	A. Check voltage at power source. B. Refer to cable listing for proper wire gage and length.
5. Bulb operates – no light movement or Light moves – bulb does not operate.	Check fuses on front of control.

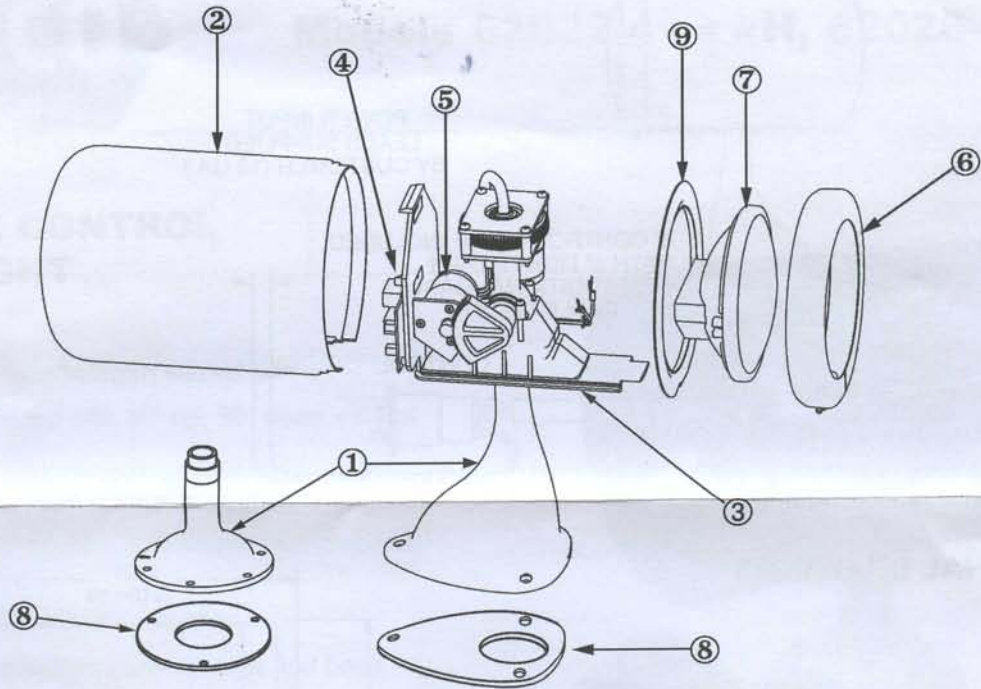


OPTIONAL SECONDARY CONTROL MOUNTING

If an additional control station is desired, use control kit number 43670-0004 12 Volt, 18753-0335 24 Volt. Mount secondary control in same manner as main control. Mount station selector panel near the main control (flybridge or lower).

1. Cut a 2" x 1-3/8" (51mm x 35mm) opening for station selector panel within a 1 foot radius of the control.
2. Route secondary control cable from station selector panel to secondary control location (cable acquired separately – see cable listing).
3. Insert station selector panel thru mounting hole and attach connectors to mating connectors from controls and searchlight. The connectors marked "flybridge" to go to flybridge control and the connector marked "lower" to lower control. The connector to the nearest control can be plugged directly into the control. See diagram.
4. Use bedding compound or sealant to waterproof station selector panel mounting.
5. Secure panel with self-tapping screws provided.

EXPLODED VIEW

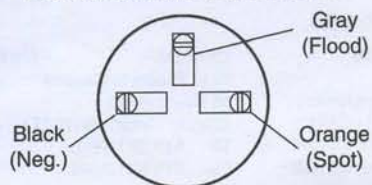


Key No.	Part Description	62022-4002H Part No.	62026-4002H Part No.
1	Base (includes set screws) Stainless Steel	67506-0010K	62053-6001K
2	Housing - Stainless Steel	43946-7000K	43946-7000K
3	Motor Drive Assembly with PC Board	62061-5000K	62061-5000K
4	Motor Control PCB	60101-6004K	60101-6004K
5	Drive Motor with Connector (For Either Horizontal or Vertical Drive)	64042-1010K	64042-1010K
6	Bulb Retaining Ring - Stainless Steel (Includes Alignment Ring Screw, Washer, Nut)	67239-5001K	67239-5001K
7	Bulb 12 Vdc	67296-0000	67296-0000
8	Gasket (base mount)	66155-0000	66155-0000
9	Bulb Alignment Ring - Stainless Steel	60035-2000K	60035-2000K

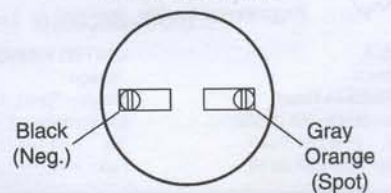
BULB REPLACEMENT

Loosen screw and remove bulb retaining ring. Disconnect wires from faulty bulb. Connect wires to new bulb as shown. Install bulb and fasten with bulb retaining ring.

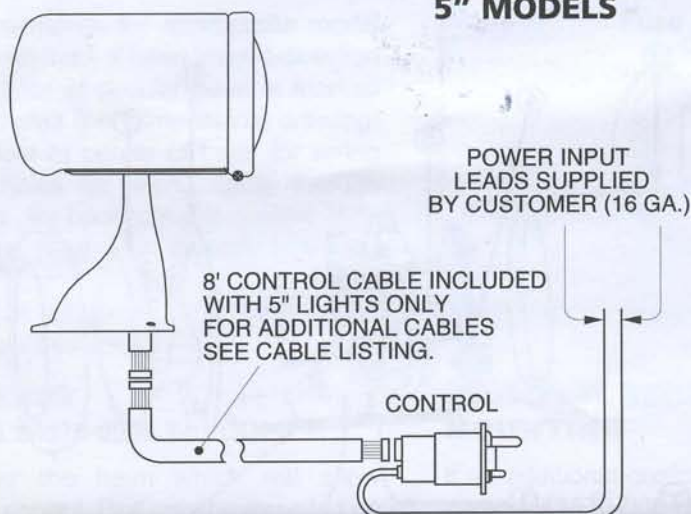
DUAL FILAMENT SPOT/FLOOD



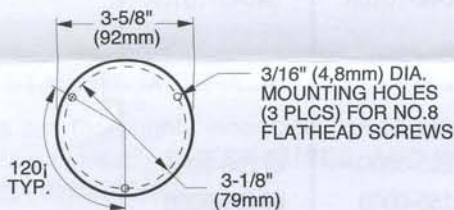
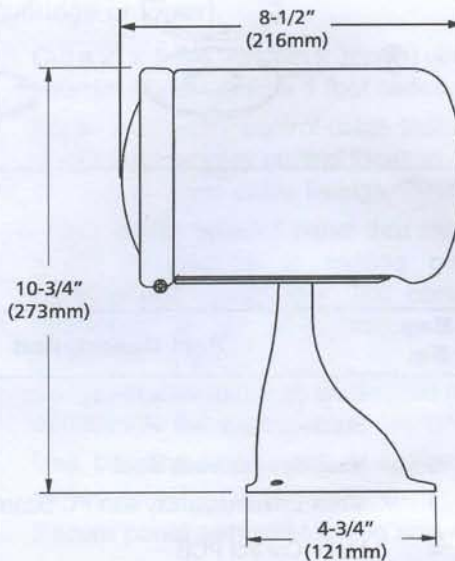
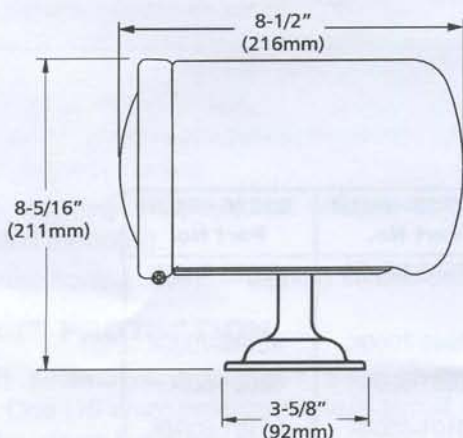
SINGLE FILAMENT



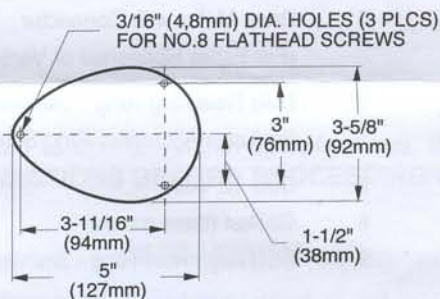
5" MODELS



DIMENSIONAL DRAWINGS



BASE MOUNTING DIMENSIONS



Jabsco



U.S.A.
Jabsco
1 Kondelin Road
Gloucester, MA 01930
Tel: 978 281.0440
Fax: 978 283.2619

UNITED KINGDOM
Jabsco
Bingley Road, Hoddesdon
Hertfordshire EN11 0BU
Tel: +44 (0) 1992 450145
Fax: +44 (0) 1992 467132

CANADA
Fluid Products Canada
55 Royal Road
Guelph, Ontario N1H 1T1
Tel: 519 821.1900
Fax: 519 821.2569

JAPAN
NHK Jabsco Company Ltd.
3-21-10, Shin-Yokohama
Kohoku-Ku, Yokohama, 222
Tel: 045.475.8906
Fax: 045.475.8908

GERMANY
Jabsco GmbH
Oststrasse 28
22840 Norderstedt
Tel: +49-40-53 53 73 -0
Fax: +49-40-53 53 73 -11

THE PRODUCTS DESCRIBED HEREIN ARE SUBJECT TO THE JABSCO ONE YEAR LIMITED WARRANTY, WHICH IS AVAILABLE FOR YOUR INSPECTION UPON REQUEST.