

MARINE SEARCHLIGHTS

**7" DIAMETER
LEVER CONTROL**

FEATURES

Heavy duty brass with stainless steel fittings.
High quality, heavy nickel-chrome plated finish or tough epoxy type paint finish.

Escutcheon plate covers and finishes clearance hole in cabin ceiling. 380° horizontal sweep and 70° vertical motion.

Horizontal and vertical locking devices. Light movement is frictioned dampened for ease of operation.

Rubber covered wiring cable with water-tight fittings.

Shipping weight approximately 10 lb. 6oz.



Model 43630-Series

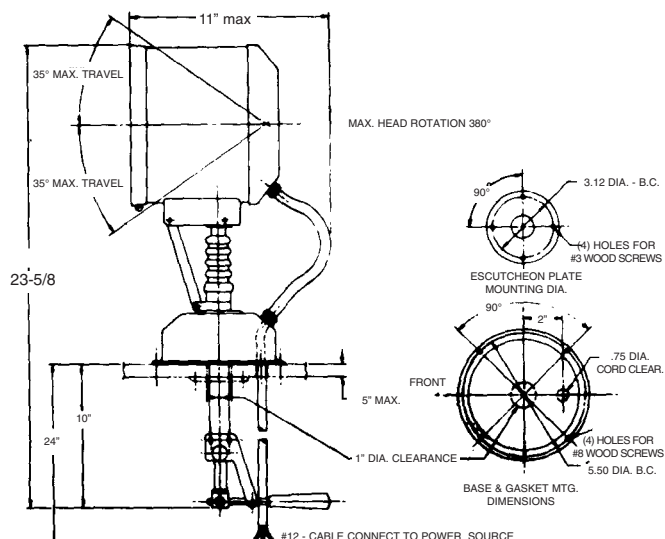
| Mode Number | Finish | Voltage | Amperage | Fuse* Size Amps | Bulb Number | Watts | Candle Power |
|-------------|---------|---------|----------|-----------------|-------------|-------|--------------|
| 43630-0010 | Painted | 12 DC | 7.5 | 10 | 43990-0048 | 100 | 250,000 |
| 43630-0020 | Painted | 24 DC | 13.6 | 20 | 66165-0000 | 450 | 450,000 |
| 43630-0030 | Painted | 32 DC | 7.8 | 10* | 98040-0080 | 200 | 270,000 |
| 43630-0110 | Chrome | 12 DC | 7.5 | 10 | 43990-0048 | 100 | 250,000 |
| 43630-0120 | Chrome | 24 DC | 13.6 | 20 | 66165-0000 | 450 | 450,000 |
| 43630-0130 | Chrome | 32 DC | 7.8 | 10* | 98040-0080 | 200 | 270,000 |

*Fuse should be type 3AG non-time delay fuse rated for 32 volts or greater.

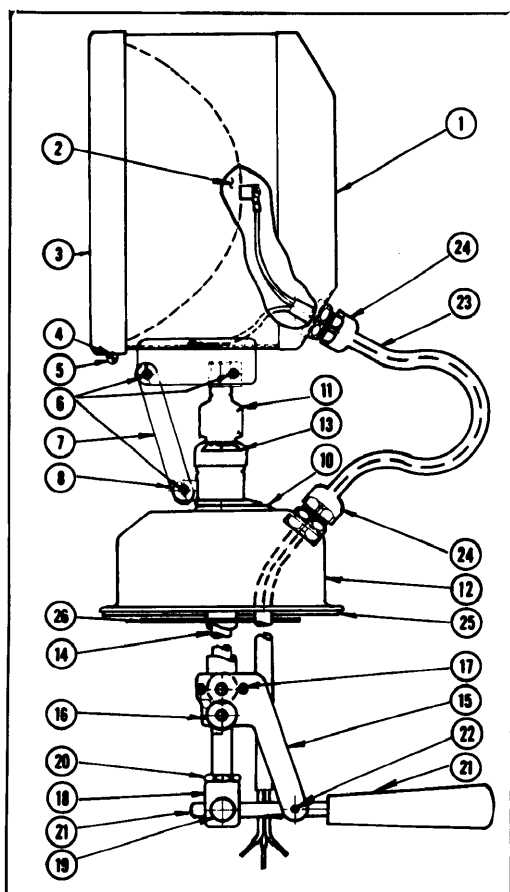
INSTALLATION AND MAINTENANCE

INSTALLATION INSTRUCTIONS: Searchlight should be mounted so base is level. Drill 1" (25,4 mm) clearance hole through roof for outside control rod. Drill 3/4" (19 mm) diameter hole for wiring 2" (51 mm) toward the aft from the center hole. Remove roll pin (Key 22) from control handle using 3/16" (5 mm) punch. Remove control handle (Key 21), pivot bearing (Key 19), control rod bracket (Key 18) and nut (Key 20). Loosen 2 set screws (Key 17) and 2 set screws (Key 6) and remove fulcrum (Key 7) from outside control rod. Light is now ready to be installed on deck. Insert control rod and cable through clearance holes. With the cable connector on the base toward the aft end, locate and mark the 4 mounting holes in the base. Remove the searchlight and drill 4 starter holes for #8 wood screws as marked. Place gasket (Key 25) on mounting surface and line up holes in gasket with mounting holes just drilled, Insert searchlight and cable through clearance holes and secure to deck with 4 mounting screws provided (Key 27).

Note: On irregular surface or curved surfaces, a sealing compound should be placed on both sides of the gasket to



insure a water-tight seal. From inside the cabin, slide the escutcheon plate (Key 26) over control rod and mark 4 mounting hole locations on ceiling. Remove escutcheon plate and drill 4 starter holes for #8 wood screws as marked. Attach escutcheon plate to ceiling using 4 mounting screws provided (Key 27) Replace fulcrum, nut, control rod, bracket, pivot bearing, control handle and roll pin, in that order. Control handle should face aft when searchlight is facing forward. To adjust alignment, loosen nut (Key 13) and rotate control handle and fulcrum assembly until lined up with searchlight head. Retighten nut. **NOTICE** - Do not overtighten set screws (Key 6) in fulcrum. These specially designed set screws provide a guide for the fulcrum for horizontal movement of the searchlight, and therefore, are not intended to lock tight against the control rod. Excessive drag and possible damage to the set screw could re-suit from overtightening. Drag for the horizontal movement can be adjusted according to the operator's feel by tightening the top adjusting knob (Key 16). Likewise, drag for the vertical movement can be adjusted by tightening the bottom adjusting knob (Key 16).



WIRING INSTRUCTIONS: Use 12 gauge stranded copper wire for up to 35' (10.6 m). For greater distances, use 10 gauge stranded copper wire. Use a switch with an amperage rating of no less than the amperage of the searchlight (see chart). The green lead in the cable is intended for D C bonding (grounding) of the searchlight.

CHANGING BULB: Make sure power is off. Remove bulb clamp ring and remove bulb, disconnecting wires from rear of bulb. After connecting wires securely to replacement bulb, (see chart on reverse side) install bulb in housing and replace clamp ring. Before tightening clamp, position bulb top Indicator to top center of housing. Turn unit on to test.

MAINTENANCE: Clean the bulb periodically with a soft, lint free cloth for best efficiency. Apply a coat of all-weather grease to all moving parts as needed. Periodically check bolts and set screws for tightness.

CAUTION Bulb and housing are hot during operation. Do not touch during or immediately after use. Minor burns can result.

PART LISTS

| Key Description | PART NUMBER | | Qty. |
|--------------------------------------|---------------|--------------|------|
| | Chrome Models | White Models | |
| 1** HOUSING KIT | 43700-1000 | 43700-1010 | 1 |
| 2 BULB 12 V | 43990-0048 | 43990-0048 | 1 |
| 24 V | 66165-0000 | 66165-0000 | 1 |
| 32 V | 98040-0080 | 98040-0080 | 1 |
| 3** BULB RIM KIT | 43990-0039 | 43990-0057 | 1 |
| 4 SCREW | 91030-0679 | 91030-0679 | 1 |
| 5 NUT | 63175-0000 | 63175-0000 | 1 |
| 6** SETSCREW | 43639-0002 | 43639-0002 | 6 |
| 7 FULCRUM STRAP | 43707-1000 | 43707-1010 | 1 |
| 8** FRICTION COLLAR KIT | 43708-1000 | 43708-1010 | 1 |
| 9** SLEEVE BEARING KIT | 43639-0003 | 43639-0003 | 1 |
| 10 STOPCOLLAR INCLUDED IN 43708-KITS | | | |
| 11 BELLOWS COVER | 43710-1000 | 43710-1000 | 1 |
| 12** BASE KIT | 43711-1000 | 43711-1010 | 1 |
| 13 LOCK NUT (3/4") | 43742-0000 | 43742-0000 | 1 |
| 14** VERT. CONTROL ROD KIT | 43714-1000 | 43714-1010 | 1 |
| 15 FULCRUM | 43716-1000 | 43716-1010 | 1 |
| 16 ADJUSTING KNOB | 92851-0215 | 92851-0215 | 2 |
| 17 SETSCREW | 96091-0103 | 96091-0103 | 2 |
| 18 CONTROL ROD BRACKET | 43717-1000 | 43717-1010 | 1 |
| 19 PIVOT BEARING | 43718-0000 | 43718-0000 | 1 |
| 20 NUT (1/2") | 91085-0510 | 91085-0520 | 1 |
| 21** CONTROL HANDLE KIT | 43719-1000 | 43719-1010 | 1 |
| 22 ROLL PIN | 93100-0222 | 93100-0222 | 1 |
| 23 CORD KIT | 43723-0000 | 43723-0000 | 1 |
| 24 CONNECTOR | 43724-0000 | 43724-0000 | 2 |
| 25 GASKET FOR BASE | 43721-0000 | 43721-0000 | 1 |
| 26** ESCUTCHEON PLATE | 43722-1000 | 43722-1010 | 1 |
| 27* MOUNTING SCREWS #8 | 92852-0099 | 92852-0099 | 8 |

* Not Shown

**Kits contain essential hardware

Jabsco



ITT Industries
Engineered for life



THE PRODUCTS DESCRIBED HEREIN ARE SUBJECT TO THE JABSCO ONE YEAR LIMITED WARRANTY, WHICH IS AVAILABLE FOR YOUR INSPECTION UPON REQUEST.

U.S.A.
Jabsco
20 Icon
Foothill Ranch, CA 92610-3000
Tel: 949.609.5106
Fax: 949.859.1254

UNITED KINGDOM
Jabsco
Bingley Road, Hoddesdon
Hertfordshire EN11 OBU
Tel: +44 (0) 1992 450145
Fax: +44 (0) 1992 467132

CANADA
Fluid Products Canada
55 Royal Road
Guelph, Ontario N1H 1T1
Tel: (519) 821.1900
Fax: (519) 821.2569

JAPAN
NHK Jabsco Company Ltd.
3-21-10, Shin-Yokohama
Kohoku-Ku, Yokohama, 222
Tel: 045.475.8906
Fax: 045.475.8908

GERMANY
Jabsco GmbH
Oststrasse 28
22840 Norderstedt
Tel: +49-40-53 53 73 -0
Fax: +49-40-53 53 73 -11