

JABSCO

Models 35760-Series-Flangemount 35770-Series-Flexmount

a xylem brand

CONTINUOUS DUTY 4" BLOWER

FEATURES

- Extended Life 5,000 Hour Motor
- Tough Reinforced Thermoset Plastic Housing
- Mounts To Any Flat Surface
- Slip-On Inlet Ducting Connection
- Efficient High Volume Air Flow
- Low-Current Draw
- Corrosion-Resistant Materials Throughout
- N.M.M.A. Type Accepted
- Meets USCG Regulation 183.410 and ISO 8846 MARINE for Ignition Protection
- Complies with ISO 9097 MARINE
- **CE** Conforms with BSEN 50081-2 for Suppression of Electro-magnetic interference

SPECIFICATIONS - Flangemount

Model CE	Air Flow	Voltage	Amps	Fuse Size	Weight lb (kg)
35760-0092	250 CFM (7,0 m ³ /min)	12 Vdc	11	15	6 (2.72)
35760-0094	250 CFM (7,0 m ³ /min)	24 Vdc	6	10	

SPECIFICATIONS - Flexmount

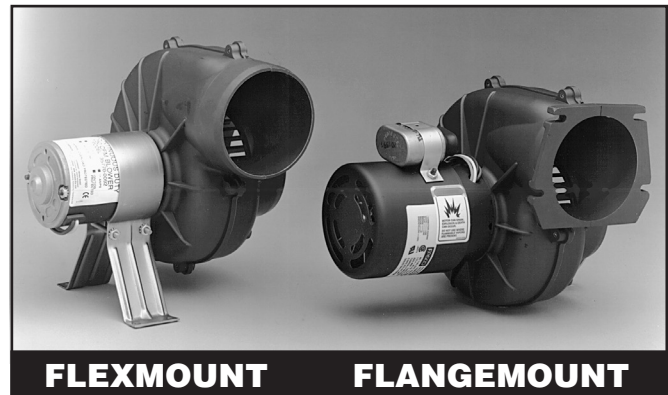
Model CE	Air Flow	Voltage	Amps	Fuse Size	Weight lb (kg)
35770-0092	250 CFM (7,0 m ³ /min)	12 Vdc	11	15	7 (3.18)
35770-0094	250 CFM (7,0 m ³ /min)	24 Vdc	6	10	

INSTALLATION

INSTALLATIONS MUST MEET APPLICABLE SECTIONS OF TITLE 33, PART 183; SUBPART K, USCG VENTILATION REGULATIONS.

FLANGEMOUNT MOUNTING

Mount blower on flat bulkhead surface in highest part of compartment free from spray or deck wash. Cut a 3-5/8" hole in bulkhead and secure blower with washers and No. 10 screws (NOTICE: Tighten screws evenly to avoid flange damage). Use a suitable discharge fitting so that static pressure of blower will not be affected by change in wind direction. Route inlet ducting with as few bends as possible to lower 1/3 of the bilge compartment where vapors are likely to accumulate. Be sure ducting is positioned below top of engine stringers but not so low as to become submerged in bilge water. Locate pickup to take advantage of natural air flow direction.



Models 35760-Series, 35770-Series

FLEXMOUNT MOUNTING

Mount blower on flat bulkhead surface in highest part of compartment free from spray or deck wash. Blower may be rotated in mounting bracket to facilitate the shortest route of ducting. Use a suitable discharge fitting so that static pressure of blower will not be affected by change in wind direction. Route inlet ducting with as few bends as possible to lower 1/3 of the bilge compartment where vapors are likely to accumulate. Be sure ducting is positioned below top of engine stringers but not so low as to become submerged in bilge water. Locate pickup to take advantage of natural air flow direction.

NOTICE: Blowers should be mounted away from extreme heat (more than 130°F) to prevent distortion of blower wheel or housing.

OPERATION: See following warning placard statement:

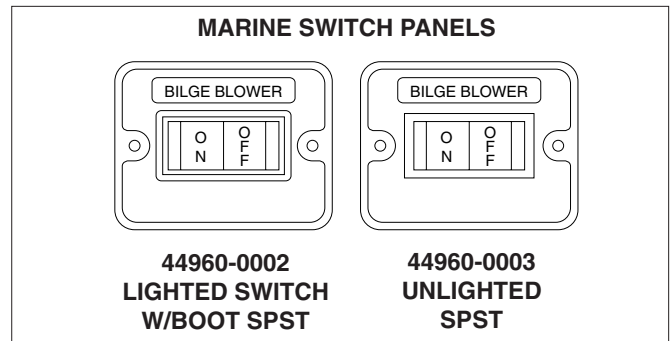
WARNING	Explosion hazard. Gasoline vapors can explode. Before starting engine, operate blower for 4 minutes and check engine compartment bilge for gasoline vapors. Run blower below cruising speed. Failure to do so can result in injury or death.
----------------	---

THE "WARNING" PLACARD SUPPLIED WITH BLOWER MUST BE MOUNTED ADJACENT TO ENGINE IGNITION SWITCHES (ALL LOCATIONS) TO COMPLY WITH TITLE 33, PART 183; SUBPART K, USCG VENTILATION REGULATIONS. *

*Additional warning placards are available from factory by requesting form 43003-0418.

WIRING:

Use stranded copper wire. For lengths up to 25 feet (7,6 m) from power source: Use 12 gauge wire for 12 volt and 14 gauge wire for 24 volt. Use larger wire for longer lengths. Use a 10 amp rated on-off switch in positive side of circuit (Model 44960-0002). Circuit must be protected with a fuse. Suggested fuse sizes are listed in the specification table.



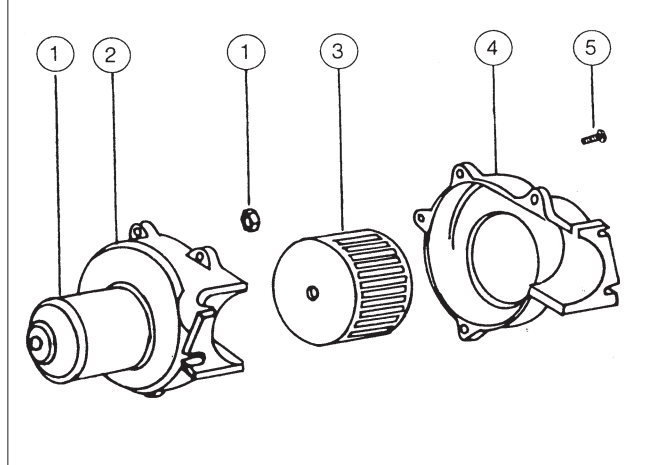
PARTS LIST - Flangemount

Key	Part Description	Part Number	Qty.
1	Motor Kit (includes mounting nuts) 12 Vdc 24 Vdc	18753-0605 18753-0606	1
2	Blower Housing	35706-0000	1
3	Blower Wheel	35714-0000	1
4	Blower Housing	35705-0000	1
5	Screw 8 x 5/8 SS Self Tapping Pan Head	35508-0000	5

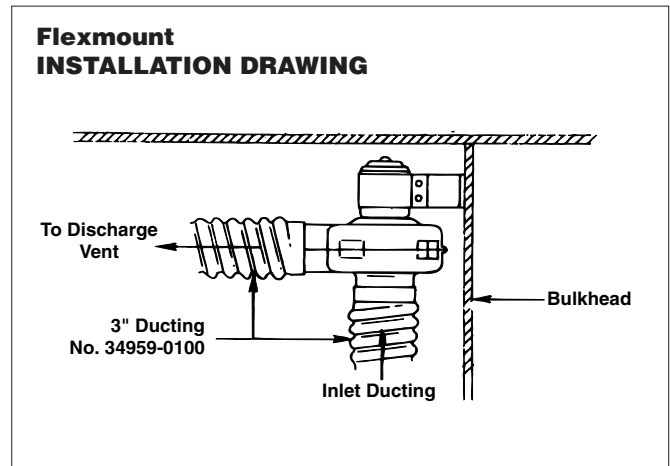
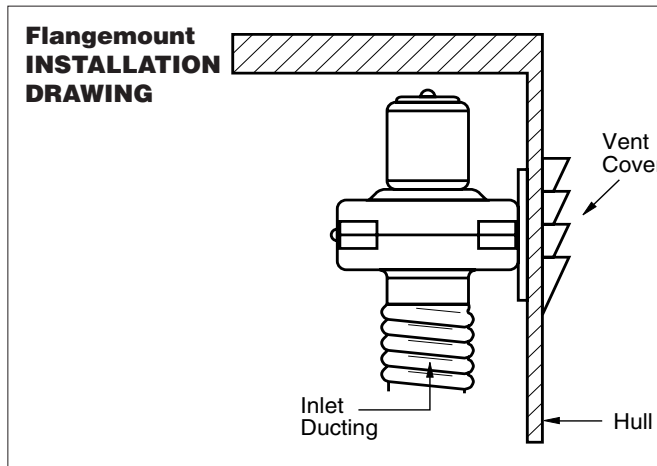
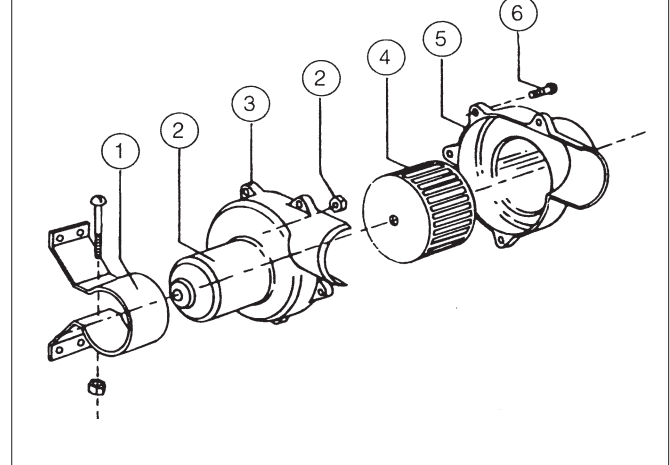
PARTS LIST - Flexmount

Key	Part Description	Part Number	Qty.
1	Bracket Assembly (includes screw & nut)	43899-0000	1
2	Motor Kit (includes mounting nuts) 12 Vdc 24 Vdc	18753-0605 18753-0606	1
3	Blower Housing	35645-0000	1
4	Blower Wheel	35714-0000	1
5	Blower Housing	35644-0000	1
6	Screw 8 x 5/8 SS Self Tapping Pan Head	35508-0000	5

PARTS VIEW - Flangemount

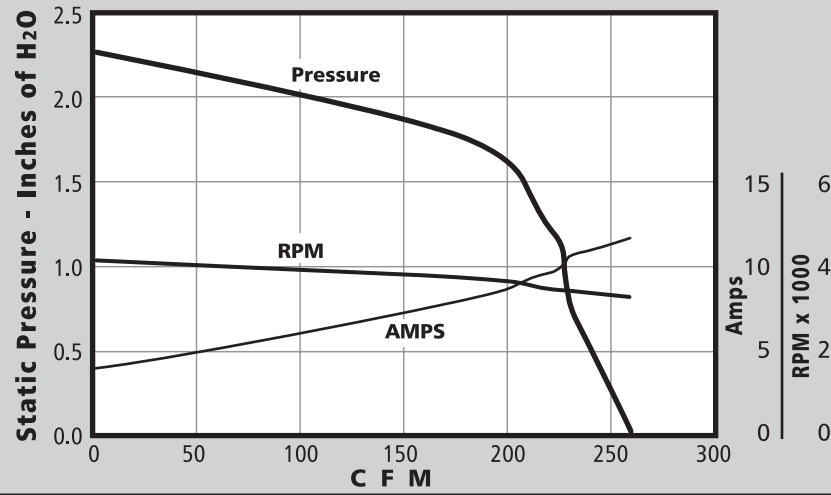


PARTS VIEW - Flexmount

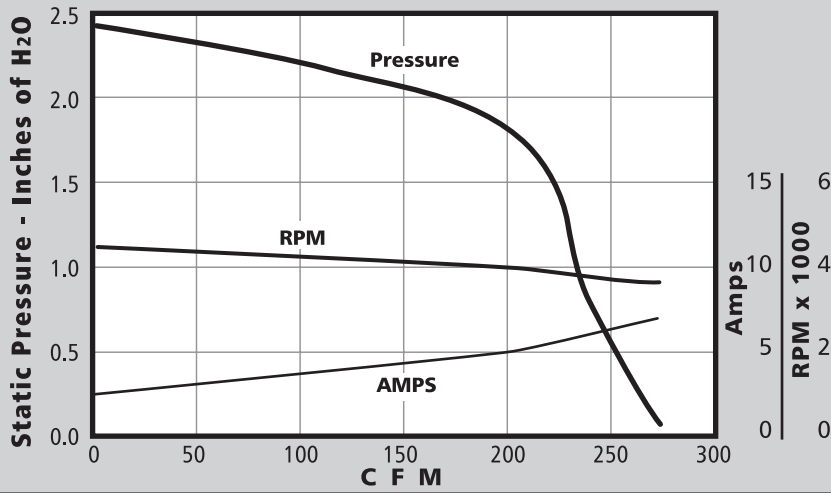


BLOWER PERFORMANCE

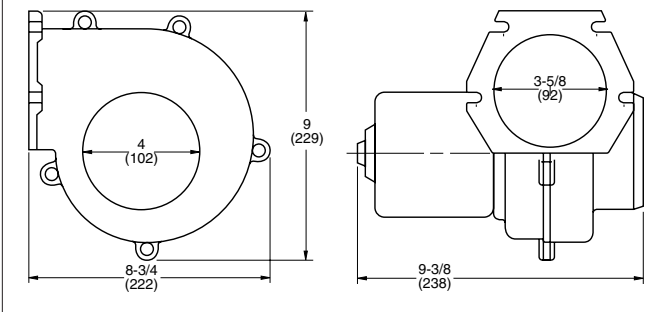
Tested At 12.8 VDC Flexmount 35770-0092
Flangemount 35760-0092



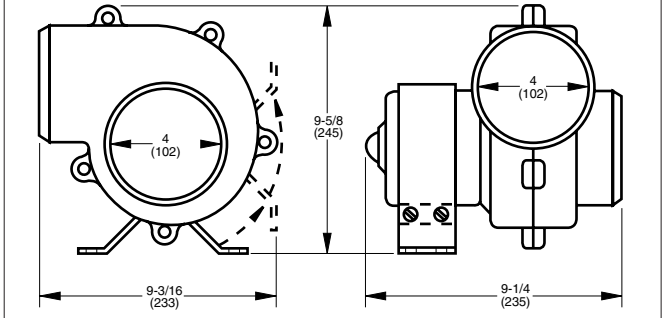
Tested At 25.6 VDC Flexmount 35770-0094
Flangemount 35760-0094

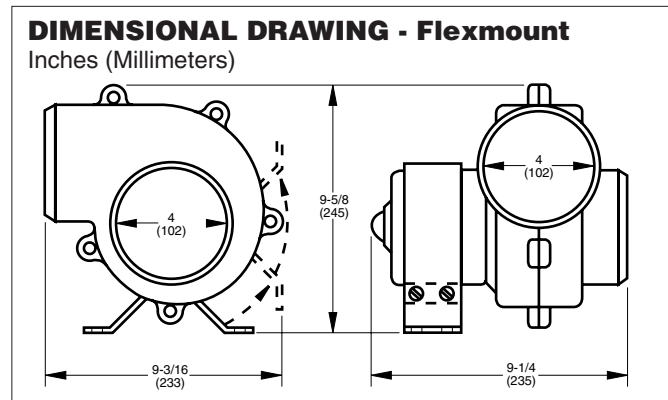
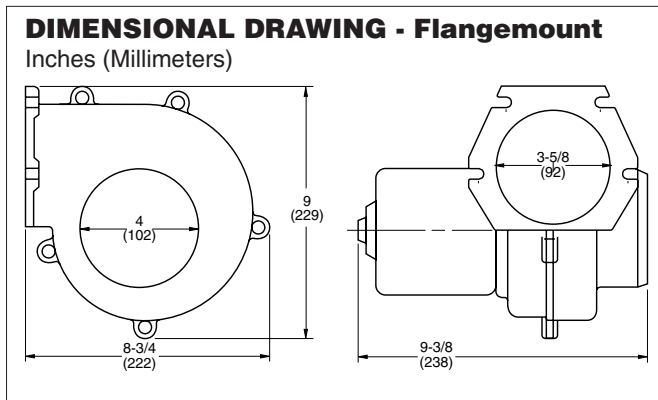


DIMENSIONAL DRAWING - Flangemount
Inches (Millimeters)



DIMENSIONAL DRAWING - Flexmount
Inches (Millimeters)





One Year Limited Warranty

A. LIMITED WARRANTY: Xylem warrants that at the time of shipment, the products manufactured by Xylem and sold hereunder shall be in conformity with applicable written specifications and descriptions referred to or set forth herein, free from defects in material and workmanship, merchantable, and suitable for a particular purpose, provided such is implied by State law under the circumstances of this sale.

B. WARRANTY ADJUSTMENT:

1. Xylem agrees to repair or furnish a replacement for, but not to remove or install, any product or component thereof which, within one (1) year from date of purchase, shall upon test and examination by Xylem prove defective within the above warranty. Receipt verifying purchase date is required to obtain adjustment.
2. Buyer shall notify Xylem of any defect within this warranty no later than ninety (90) days after the defect is discovered.
3. No product will be accepted for return or replacement without the prior written authorization of Xylem. Upon such authorization, and in accordance with instructions from Xylem, the product will be returned to Xylem, shipping charges prepaid by Buyer. Products returned to Xylem will be addressed as follows:

Xylem
100 Cummings Center, Ste. 535-N
Beverly, MA 01915

Or to such alternate locations as may be designated on the product, its container, or this sheet. Repair or replacement made under this warranty will be shipped prepaid to Buyer.

C. EXCLUSIONS FROM WARRANTY AND LIMITATION OF LIABILITY:

1. The foregoing warranty is limited solely as set forth herein and applies only for the period designated above.
2. XYLEM SHALL NOT BE LIABLE FOR ANY LOSS, DAMAGE, SPECIAL OR CONSEQUENTIAL DAMAGE OF ANY KIND, WHETHER BASED UPON

WARRANTY, CONTRACT, NEGLIGENCE, OR STRICT LIABILITY ARISING IN CONNECTION WITH THE SALE, USE, OR REPAIR OF THE PRODUCT.

3. THE MAXIMUM LIABILITY OF XYLEM IN CONNECTION WITH THIS WARRANTY SHALL NOT IN ANY CASE EXCEED THE CONTRACT PRICE FOR THE PRODUCT CLAIMED TO BE DEFECTIVE OR UNSUITABLE.
4. This warranty does not extend to any product manufactured by Xylem which has been subjected to misuse, neglect, accident, improper installation, or use in violation of instructions furnished by Xylem.
5. This warranty does not extend to or apply to any unit which has been repaired or altered at any place other than Xylem's factory, or by persons not expressly approved by Xylem, nor to any unit the serial number, model number, or identification of which has been removed, defaced or changed.
6. Components manufactured by any supplier other than Xylem shall bear only that warranty made by the manufacturer of that product.
7. This warranty applies to products defined as "consumer products" by the Consumer Product Warranties Act as from time to time amended.

D. CONSUMER RIGHTS: This warranty gives you specific legal rights, and you may have other rights which vary from state to state.- Some states do not allow exclusion or limitation of damages.

STANDARD WARRANTY: If the products manufactured and sold hereunder are not Consumer Products, the warranty extended to Buyer shall be as set forth in subparagraphs (A), (B), and (C), **EXCEPT THAT ALL EXPRESS OR IMPLIED WARRANTIES OR MERCHANTABILITY OR SUITABILITY FOR ANY PARTICULAR PURPOSE ARE EXCLUDED.**

THE PRODUCTS DESCRIBED HEREIN
ARE SUBJECT TO THE JABSCO ONE YEAR
LIMITED WARRANTY, WHICH IS AVAILABLE
FOR YOUR INSPECTION UPON REQUEST.