

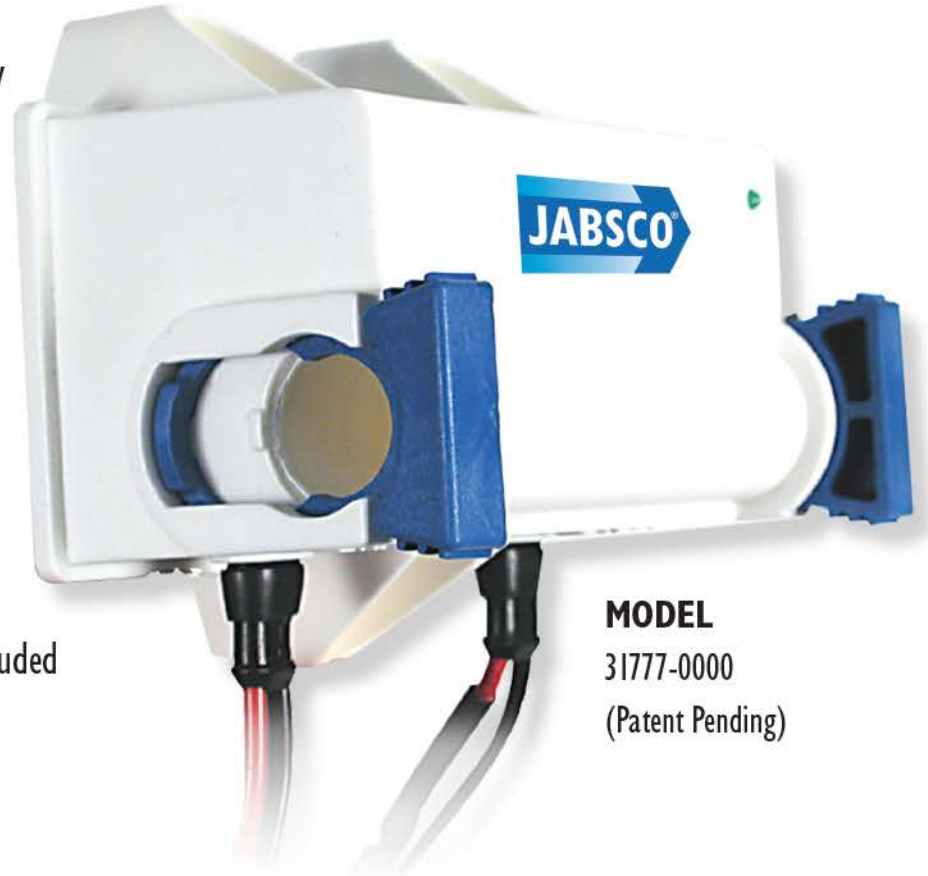


# Smooth-Flow™ Water Pump Controller

NEW! Smooth-Flow™ Pump Controller

**Converts water system pumps to Variable Speed Drive!**

- Provides smooth and quiet water flow without pulsation (water hammer)
- Eliminates temperature variation
- Eliminates need for space consuming accumulator tank
- Works on most water pressure pumps rated 3-12 amps\*
- Easy-to-install; hose and fittings included
- Runs on 12 or 24 VDC input



**MODEL**  
31777-0000  
(Patent Pending)

Variable Speed Drive (VSD) converts everyday pumps into sensor-controlled pumps that automatically adjust in real time to changes in pressure. As less flow is required, the pump motor slows down to provide a smooth and pulsation-free performance.

\*Not compatible with Flojet 4405/3526 and Jabsco 31295/31395 Series pumps.



## Smooth-Flow™ Water Pump Controller

Jabco, the company that brought you the Sensor Max™, introduces another breakthrough in variable speed drive technology with the new Smooth-Flow™ Water Pump Controller. This controller converts a standard water system pump to Variable Speed Drive (VSD). The controller easily connects to the discharge side of your water system pump. When the flow is restricted, the back pressure is sensed by the controller. It then sends a signal to slow the motor down, resulting in a quieter boating experience. Noise is dramatically reduced as the controller eliminates the plumbing rattle and on-off cycling.

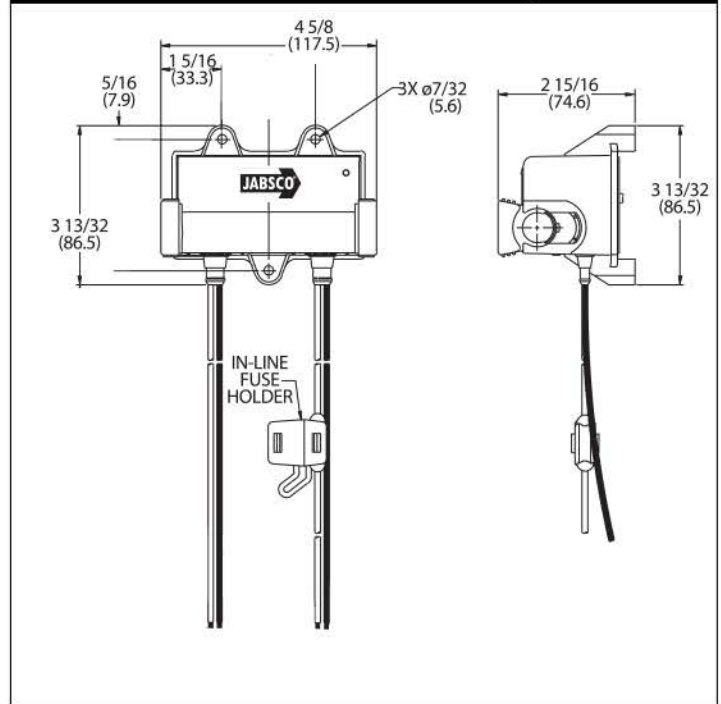
### How It Works

The controller automatically measures the pressure at which the pump's pressure switch opens. It uses this measurement to determine an optimal value for running pressure regulation for the given pump, and stores the value in its memory for consistency between power cycles.

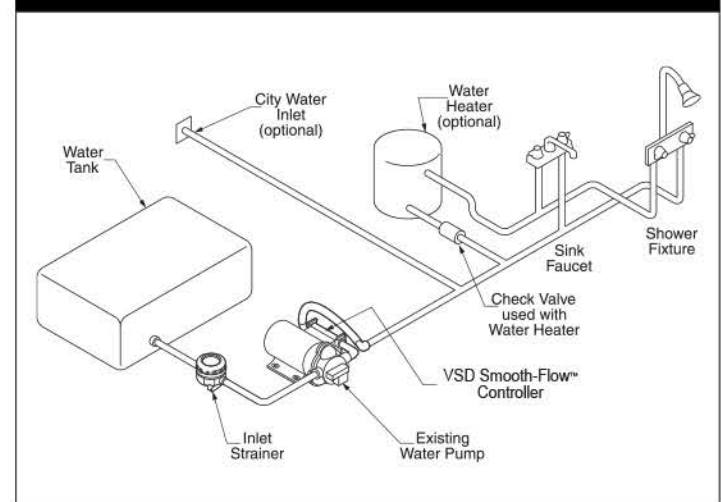
### Specifications

Model number:	31777-0000
Voltage:	12 or 24 VDC input
Amperage:	Depends on pump; up to 12 amps
Flow range:	Depends on pump
Size:	4.7" x 3.4" x 3.0"
Weight:	8.2 oz
UPC No:	671880583121

### Dimensional Drawing



### Installation



[www.jabco.com](http://www.jabco.com)

#### USA

Jabco  
Cape Ann Industrial Park  
Gloucester, MA 01930  
Tel: (978) 281-0440  
Fax: (978) 283-2619

#### UK

Jabco  
Bingley Road, Hoddesdon  
Hertfordshire EN11 0BU  
Tel: +44 (0) 1992 450145  
Fax: +44 (0) 1992 467132

#### CANADA

Fluid Products Canada  
55 Royal Road  
Guelph, Ontario N1H 1T1  
Tel: (519) 821-1900  
Fax: (519) 821-2569

#### GERMANY

Jabco GmbH  
Oststrasse 28  
22844 Norderstedt  
Tel: +49-40-53 53 73-0  
Fax: +49-40-53 53 73-11

#### JAPAN

NHK Jabco Company Ltd.  
3-21-10, Shin-Yokohama  
Kohoku-Ku, Yokohama, 222-0033  
Tel: +81-045-475-8906  
Fax: +81-045-477-1162

#### ITALY

Jabco Marine Italia  
Via Tommaseo, 6  
20059 Vimercate, Milano  
Tel: +39 039 685 2323  
Fax: +39 039 666 307

Warranty: All products of the company are sold and all services of the company are offered subject to the company's warranty and terms and conditions of sale, copies of which will be furnished upon request. The information provided herein is for guidance only, it does not constitute a guarantee of the performance or specification of any individual product or component.