

a xylem brand

SELF-PRIMING PUMPS

FEATURES

| | |
|--------------------|--|
| Pump Type: | Pedestal Pump |
| Body: | Epoxy Plastic |
| Impeller: | Neoprene, Nitrile, Viton* or EPDM |
| Shaft Seal: | Mechanical, Carbon-on-Ceramic, or Tungsten Carbide; Nitrile or Viton |
| Ports: | 3/4" NPT External |
| Shaft: | Epoxy Plastic Covered Stainless Steel |
| Weight: | 4.5 lb (2.0 kg) Approx. |

VARIATIONS AVAILABLE

| MODEL NO. | DESCRIPTION |
|-------------------|---|
| 30510-1001 | Standard Pressure, Neoprene Impeller, Carbon Seal |
| 30510-1003 | Standard Pressure, Nitrile Impeller, Carbon Seal |
| 30510-1004 | Standard Pressure, Viton Impeller, Carbon Seal |
| 30510-1011 | High Pressure, Neoprene Impeller, Carbon Seal |
| 30510-1013 | High Pressure, Nitrile Impeller, Carbon Seal |
| 30510-1014 | High Pressure, Viton Impeller, Carbon Seal |
| 30510-1101 | Standard Pressure, Neoprene Impeller, Tungsten Carbide Seal |
| 30510-1103 | Standard Pressure, Nitrile Impeller, Tungsten Carbide Seal |
| 30510-1104 | Standard Pressure, Viton Impeller, Tungsten Carbide Seal |
| 30510-1111 | High Pressure, Neoprene Impeller, Tungsten Carbide Seal |
| 30510-1113 | High Pressure, Nitrile Impeller, |



Tungsten Carbide Seal

30510-1114 High Pressure, Viton Impeller, Tungsten Carbide Seal

APPLICATIONS

INDUSTRIAL: Circulating and transferring corrosive liquids. Returning spilled liquids to process, transferring



Explosion hazard. Do not pump gasoline, solvents, thinners or other flammable liquids. To do so can cause an explosion resulting in injury or death.

foaming solutions with entrained air, such as soaps and detergents. Sampling and pilot plant installations. Handles pure solutions, acids, alkalies, photo chemicals, dyes, detergents, waxes, gels, solutions with suspended solids and emulsions.

METAL PLATING: Filtration of plating solutions. Filling and emptying vats. Adding chemicals for pH balance.

PHARMACEUTICAL: Processing lab solutions, medicines, lotions and preparations. Filtering pharmaceutical solutions.

AGRICULTURAL: Transferring liquid fertilizers, herbicides and pesticides.

OPERATING INSTRUCTIONS

- INSTALLATION** – Pump may be mounted in any position. The rotation of the pump shaft determines the location of the pump's intake and discharge ports. (Refer to dimensional drawing.) Pump is normally assembled at factory for clockwise rotation (looking at end cover). If counter clockwise rotation



Injury hazard. Exposed pulleys and belts can cause injury. Install shield around pulleys and belts. Stay clear while machinery is operating.

is desired, follow steps 1 and 2 of disassembly and step 9 of assembly instructions to change direction of impeller blade deflection under cam.

2. **DRIVE** – Belt or direct with flexible coupling.

Belt Drive: Overtight belt load will reduce pump bearing life.

Direct Drive: Clearance should be left between drive shaft and pump shaft when installing coupling. Always mount and align pump and drive shaft before tightening the coupling set screw.

If pulley or coupling must be pressed on shaft, remove end cover and impeller to support shaft from impeller end during press operation. Do not hammer pulley or coupling on shaft; this may damage bearing or seal.

Capacitor start motor is required to overcome starting torque of impeller.

3. **SPEEDS** – 100 RPM to the maximum shown in the performance curves. For longer pump life, operate at lowest possible speeds. Lower speeds are required for viscous liquids. Contact the factory for proper speeds and horsepower requirements.

4. **SELF-PRIMING** – Primes at low or high speeds. For vertical dry suction lift of 10 feet (neoprene/nitrile/viton) – 6 feet (viton/EPDM), a minimum of 860 RPM is required. Pump will produce suction lift up to 22 feet when wet. **BE SURE SUCTION LINES ARE AIRTIGHT OR PUMP WILL NOT SELF-PRIME.**

5. **DISCHARGE** – When transferring liquids further than 25 feet, use one size larger discharge line than discharge port size.

6. **RUNNING DRY** – Unit depends on liquid pumped for lubrication. **DO NOT RUN DRY** for more than 30 seconds. Lack of liquid will damage the impeller.

7. **CHEMICAL COMPATIBILITY** – Consult the Chemical Resistance Guide in the JABSCO Industrial Pump Catalog (available upon request from ITT Jabsco) or factory for proper body materials and impeller compounds. If corrosive fluids are handled, pump life will be prolonged if pump is flushed with a neutralizing solution after each use or after each work day. A Tungsten Carbide Seal variation is available for pumping liquids that contain abrasives or are highly corrosive.

8. **PRESSURES** – Consult Performance Curves for maximum recommended pressures for pumps in continuous operation. If pressures exceed those shown, consult the factory.

9. **TEMPERATURES** – The operating temperature limits of the pump depend on the impeller compound. The following ranges apply: Neoprene - 45° to 180° F (7° to 82° C), Nitrile - 50° to 180° F (10° to 82° C), Viton - 60° to 180°F (15° to 82°C), EPDM - 45° to 185°F (7° to 85°C).

10. **IMPELLER TORQUE** – The torque required to initiate

rotation of a new impeller in a dry pump body is:

Standard Pressure Impeller (14281-Series):

Forward = 1.5 pounds force-feet

Reverse = 4.3 pounds force-feet

High Pressure Impeller (8980-Series):

Forward = 3.0 pounds force-feet

Reverse = 6.9 pounds force-feet

These values may vary slightly due to impeller compounding, blade set, and body material of construction. Consult factory for more information.

11. **SPARE PARTS** – To avoid costly shutdowns, keep a spare JABSCO impeller, seal and O-ring set on hand.

SERVICE INSTRUCTIONS

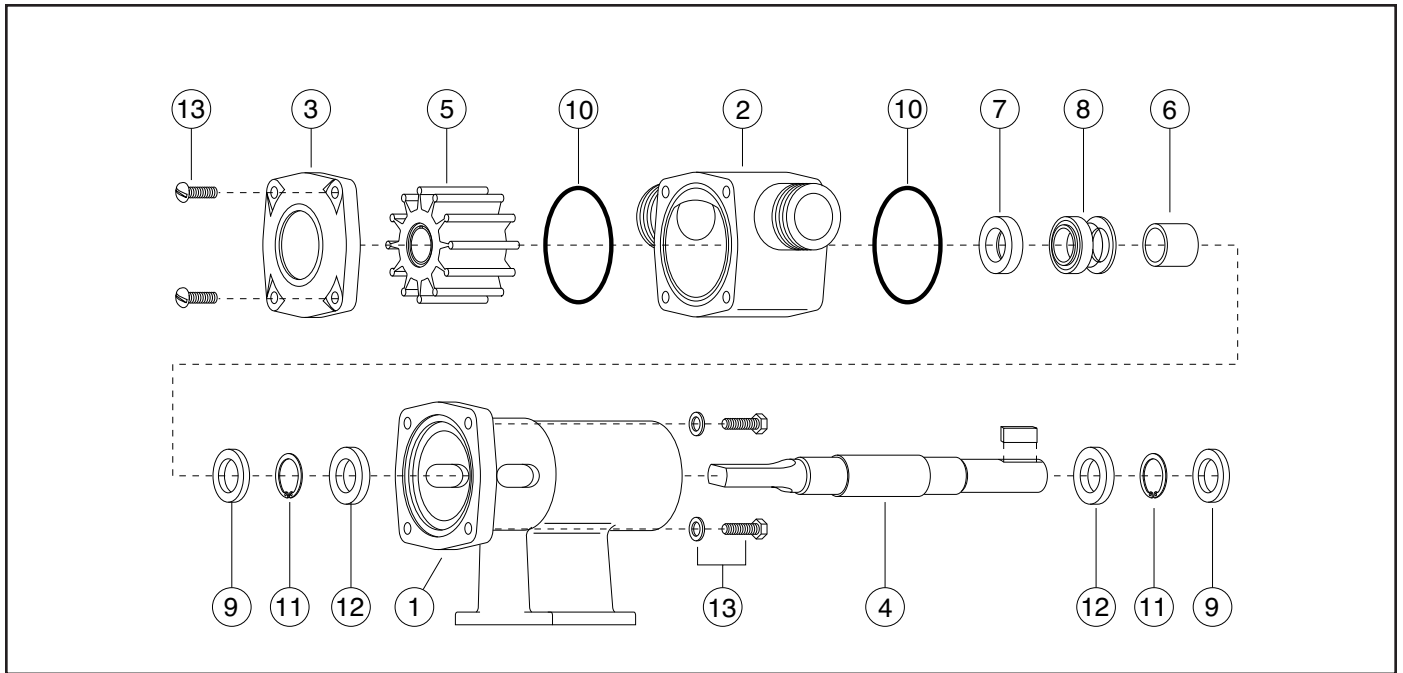
DISASSEMBLY

1. Remove the four end cover screws. Remove end cover and O-ring.
2. Remove the four screws holding the body to the bearing housing flange. Slide body, complete with impeller and wearplate, from pedestal and shaft.
3. Remove mechanical seal by inserting two screwdrivers behind seal collar, and gently lever collar and seal assembly forward on shaft. Use extreme care not to mar shaft surface. Remove seal seat and rubber cup from recess in wearplate.
4. From the drive end of the bearing housing, pry out bearing seal by inserting a screwdriver blade between OD of the seal and housing. Remove retaining ring. Very carefully withdraw shaft and bearing assembly.
5. Remove inner bearing seal and retaining ring.
6. To remove bearings from shaft an arbor press is required. If an arbor press is not available then a bearing extractor may be used. Supporting inner race of bearing, apply a steady pressure on shaft until bearing slides free. Repeat this procedure to remove second bearing.

ASSEMBLY

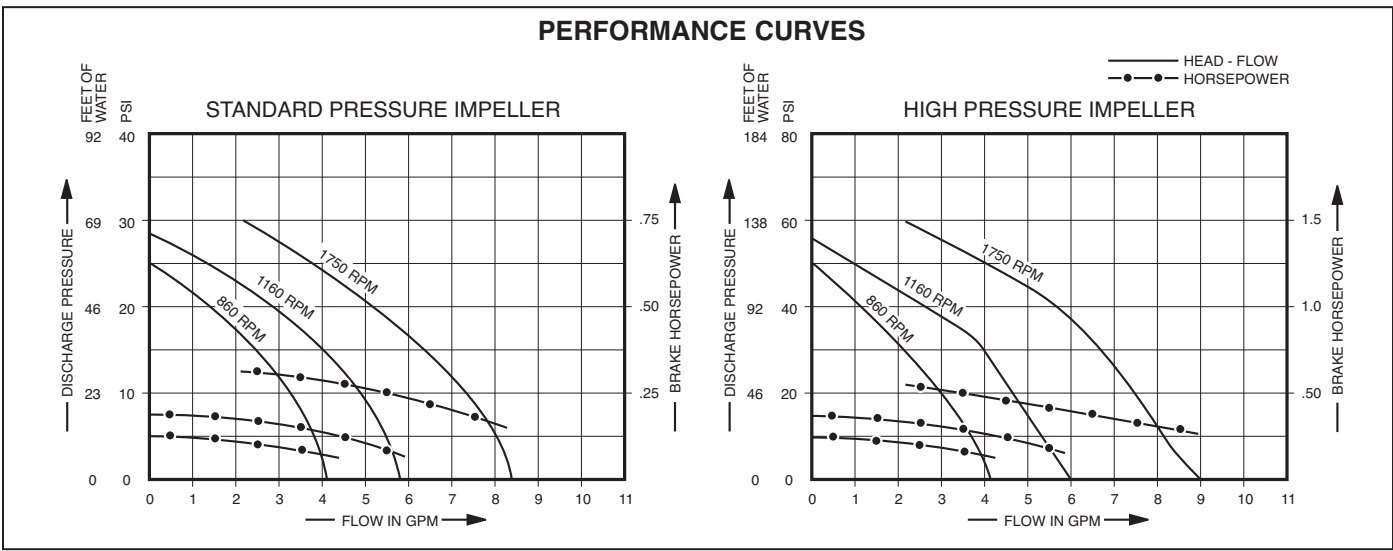
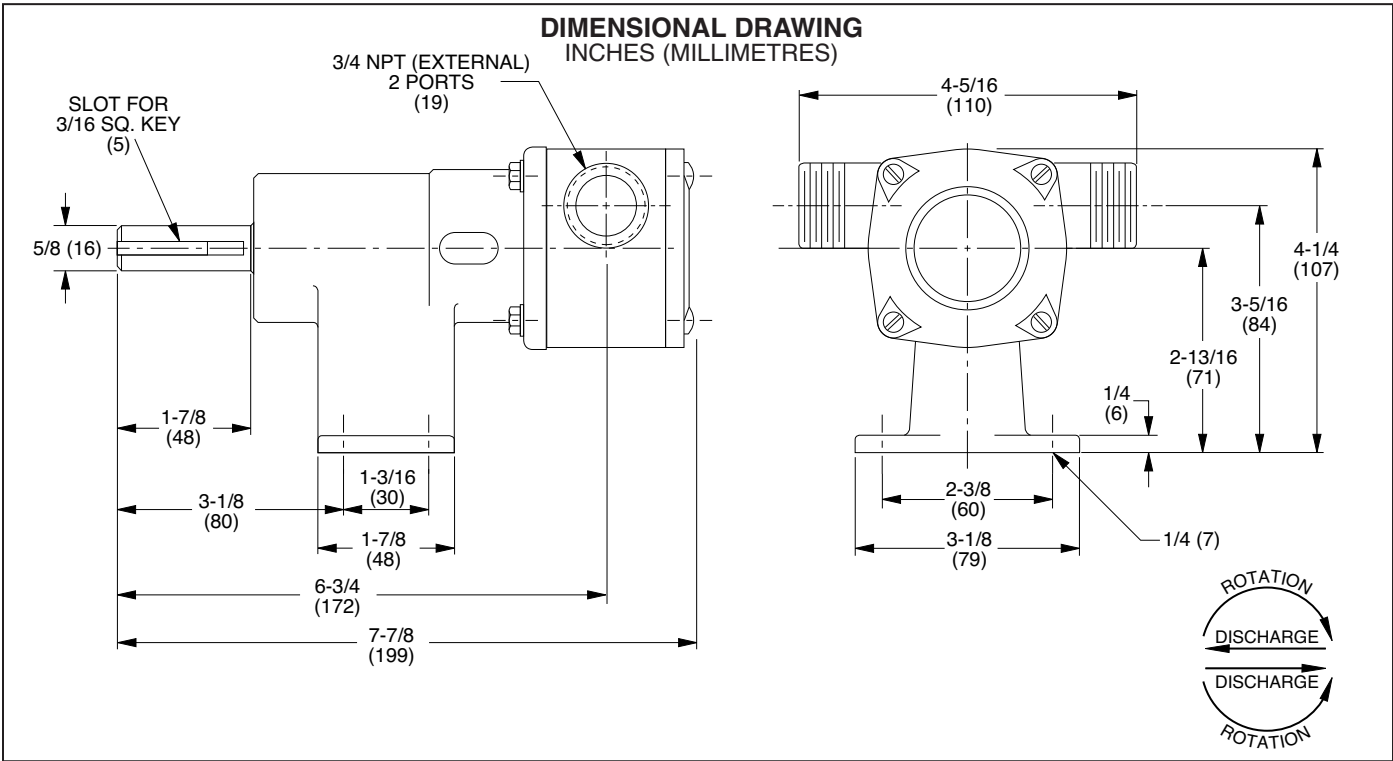
1. To replace bearing on shaft. Support ball bearing on its inner race and locate shaft onto bearing. Apply a steady pressure to the shaft until bearing locates against shoulder on shaft. Repeat for second bearing.
2. Fit retaining ring and bearing seal into impeller end of bearing housing. Spring on bearing seal to face outwards.
3. Apply bearing grease around and between bearings, filling cavity between bearings two thirds full. Smear grease on shaft where bearing seal locates. Push shaft and bearing assembly into bearing housing.
4. Replace retaining ring and outer bearing seal with spring facing outwards.
5. Replace mechanical seal by sliding spacer onto shaft up to locating shoulder, then smear shaft with light lubricating oil. Push on seal gently until it engages with spacer. Fit rubber cup and seal seat into wearplate.
6. Insert impeller in pump body, fit O-ring in each end of the pump body. Fit wearplate to body.

NOTE: A gap should be maintained between bearing housing and body. **DO NOT** overtighten screws.



PARTS LIST

| Key | Description | Qty. Req. | Part Number |
|-----|-------------------------------|-----------|-------------|
| 1 | Bearing Housing | 1 | 18753-0183 |
| 2 | Body | 1 | 18753-0188 |
| 3 | End Cover | 1 | 18753-0194 |
| 4 | Shaft | 1 | 18753-0204 |
| 5 | Impeller: | 1 | |
| | Standard Pressure – Neoprene | | 14281-0001 |
| | Standard Pressure – Nitrile | | 14281-0003 |
| | Standard Pressure – Viton | | 14281-0004 |
| | Standard Pressure – EPDM | | 7614-0002 |
| | High Pressure – Neoprene | | 8980-0005 |
| | High Pressure – Nitrile | | 8980-0003 |
| | High Pressure – Viton | | 8980-0004 |
| | High Pressure – EPDM | | 8980-0002 |
| 6 | Spacer: | 1 | 18753-0221 |
| 7 | Seal Seat: | 1 | |
| | Nitrile | | 18753-0233 |
| | Ceramic Viton | | 18753-0234 |
| 8 | Seal Mech.: | 1 | |
| | Carbon – Nitrile | | 18753-0241 |
| | Carbon – Viton | | 18753-0242 |
| | Tungsten Carbide – Nitrile | | 18753-0243 |
| | Tungsten Carbide – Viton | | 18753-0244 |
| 9 | Bearing Seal | 2 | 18753-0257 |
| 10 | O-Ring: | 2 | |
| | Nitrile | | 18753-0261 |
| | Viton | | 18753-0262 |
| 11 | Retaining Ring | 2 | 18753-0269 |
| 12 | Bearing | 2 | 18753-0273 |
| 13 | Screw Kit: | 1 | 18753-0284 |
| | consists of | | |
| | Screws, Hex Hd. M5 x 16mm (4) | | |
| | Screws, Pan Hd. M5 x 16mm (4) | | |
| | Washers, Flat M5 (4) | | |



NOTE: Curves show approximate head-flow for new pumps with neoprene impeller pumping water.

Capacities should be reduced approximately 10% with nitrile standard pressure impellers and approximately 15% for high pressure viton and EPDM impellers.

Consult factory for specific performance information.

THE PRODUCTS DESCRIBED HEREIN ARE SUBJECT TO THE JABSCO ONE YEAR LIMITED WARRANTY, WHICH IS AVAILABLE FOR YOUR INSPECTION UPON REQUEST.

www.xylemflowcontrol.com

Jabco, 100 Cummings Center, Ste. 535-N, Beverly, MA 01915
Tel: +1 978 281 0440 Fax: +1 978 283 2619

Jabco, Bingley Road, Hoddesdon, Hertfordshire, EN11 0BU
Tel: +44 (0) 1992 450 145 Fax: +44 (0) 1992 467 132

NHK Jabco Co Ltd, 3-21-10, Shin - Yokohama Kohoku-ku, Yokohama 222
Tel: +81 (0) 45 475 8906 Fax: +81 (0) 45 475 8908

Jabco GmbH, Oststraße 28, 22844 Norderstedt
Tel: +49 (0) 40 53 53 73 0 Fax: +49 (0) 49 53 53 73 11

Jabco Italia, s.r.l., Via Tommaseo, 6, 20059 Vimercate, Milano
Tel: +39 039 685 2323 Fax: +39 039 666 307

- USA
- UK
- JAPAN
- GERMANY
- ITALY



a xylem brand